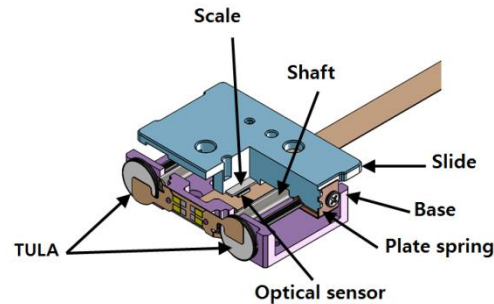


Stage

Introduction

It has various stages (X Stage, XY Stage, Hollow Stage, Theta Stage, Rotary Stage, etc.) and controllers applied with its own technology, the Tiny Ultrasonic Linear Actuator (TULA). These stages can be produced in a wide range of applications for robots, automation equipment, medical devices, etc. In addition, the stage of PIEZO Technology Co., Ltd. has price competitiveness.

Structure



PT - X D T 5 0 - S 0 5 C

① ② ③ ④ ⑤ ⑥ ⑦

① P :manufacturer	
Piezo Technology	

② Stage type	
X	X stage
XY	XY stage
H	Hollow stage
TH	Theta stage
R	Rotary stage

③ TULA Quantity	
S	1ea (single)
D	2ea (Double)
Q	4ea (Quad)

④ TULA Type	
T25, T35, T35B, T50, T70	

⑤ Function	
S	Stroke
A	Angle

⑦ Connect type	
C	Connect
F	FPCB

⑥ Spec		
05	5mm	2 digits : Stroke
10	10mm	
15	15mm	
060	60°	3 digits : Angle
300	300°	

©Product Comparative table

	PT-XDT50-S05C	PT-XDT70-S10C	PT-XDT70-S15C	PT-XDT50-S06C (distribution model)	PT-XDT70-S10F	PT-HQT50-S04C	PT-THDT70-A300C
Real Stroke	5 mm	10 mm	15 mm	6mm	10mm	4mm	295° (TBD)
Resolution	0.1μm with Incremental Encoding	0.1μm with Incremental Encoding	0.1μm with Incremental Encoding	0.1μm with Incremental Encoding	0.1μm with Incremental Encoding	0.1μm with Incremental Encoding	0.1μm with Incremental Encoding
Repeatability	± 2 μm	± 2 μm	± 2 μm	± 2 μm	± 2 μm	± 2 μm	± 2 μm
Thrust Force	≤ 15 g	≤ 20 g	≤ 20 g	≤ 10 g	≤ 20 g	≤ 10 g	-
Holding Force	> 250 gf	> 250 gf	> 250 gf	150± 10gf	> 250 gf	> 250 gf	>50gfc(TBD)
Speed (full stroke)	> 10 mm/s	> 10 mm/s	> 10 mm/s	> 10 mm/s	> 10 mm/s	> 10 mm/s	-
Driver	Multi channel Master(PMC2001) & Slave(PMC2002)	Multi channel Master(PMC2001) & Slave(PMC2002)	Multi channel Master(PMC2001) & Slave(PMC2002)	Driver All-in-One	One channel Drive board (PMC1804)	Multi channel Master(PMC2001) & Slave(PMC2002)	Multi channel Master(PMC2001) & Slave(PMC2002)

PT- XST50 – S06C

General Specifications								Mechanical	
Full Stroke (Travel Length)	Real Stroke	Dimensions	Weight	Holding Force	Vertical Load (Thrust Force)	Horizontal Load	Speed (at real stroke)	Static Parallelism	Pitch And Yaw
6.5 ± 0.2 mm	6 mm	31 x 24 x 10 mm	<5g	150 ±10gf	≤ 10g	≤ 20g	> 10 mm/s	-	-
Closed Loop Performance			Environment				Electrical		
Resolution	Repeatability	Accuracy	Relative Humidity	Operating Temperature	Storage Temperature	Life Time	Controller	Host Interface	Input Power
0.1µm with Incremental Encoding	± 2 µm	± 10 µm	≤ 70%	0°C to +50°C	-30°C to +80°C	1KK Cycle (at real Stroke)	PMC 1901	USB adapter From PC	DC 5V (USB 2.0 ↑)

