

NOTES:

1. MARKED WITH TE PART NUMBER, TE (HASTINGS) CAGE CODE, DATE CODE AND REAR CONTACT LOCATION MARKING WHERE SHOWN. SEE SHEET 2 FOR TEXT AND POSITIONS.

PART NUMBER EXAMPLE: **D369 - MP 6 6 - N P 1**

BASIC PART No. _____
 SHELL STYLE (MP = METALLIZED PLUG) _____
 SHELL SIZE _____
 CONTACT QTY (6 = 6 x #22's) _____
 CONTACT CONFIGURATION (P = PIN, S = SKT) _____
 SHELL KEYING _____

2. PERFORMANCE:
 TEMPERATURE RANGE : -55 °C TO +175 °C. INSULATION RESISTANCE : ≥5000 MΩ.
 DIELECTRIC WITHSTAND: 1500VRMS, <2mA. SEALING: 18KM(60000FT) ALTITUDE / IP67
 DURABILITY : 500 MATING CYCLES MIN. FLUID RESISTANCE: I.A.W. EN2591-315.
 FLAMMABILITY, SMOKE AND TOXICITY: I.A.W. FAR 25.853 APPENDIX F.

3. INSERTION/EXTRACTION TOOL (M81969/14-01 OR EQUIVALENT) SUPPLIED SEPARATELY.

| Contact Configuration | Contact Description | Contact P/N (OR EQUIVALENT) | | Crimp Positioner | | Crimp Tool | Wire Accommodation | Current Rating |
|-----------------------|------------------------------------|-----------------------------|-------------|------------------|-------------|-------------|--------------------|-----------------|
| | | Pin | Socket | Pin | Socket | | | |
| 0 | NO CONTACTS SUPPLIED | | | | | | | |
| 1 | CRIMP, COPPER WIRE | 38941-22L | 38946-22L | M22520/2-09 | M22520/2-06 | M22520/2-01 | 22-26 AWG | 5A (22 AWG) |
| 2 | CRIMP, ALUMINIUM WIRE | 200-1042-22 | 200-1142-22 | KAL2 | | ALNP 22-A | 22 AWG | 5A |
| 3 | CRIMP, COPPER WIRE (ENLARGED WIRE) | 182-0860-22 | 182-0862-22 | M22520/2-09 | M22520/2-06 | M22520/2-01 | 20-24 AWG | 7.5A (20 AWG)** |

** UPPER TEMPERATURE LIMIT DE-RATED TO +133 °C AT 7.5A (20 AWG)

5. MATERIALS & FINISHES:

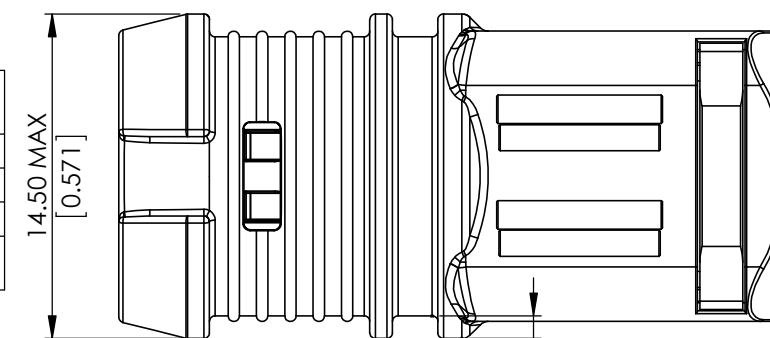
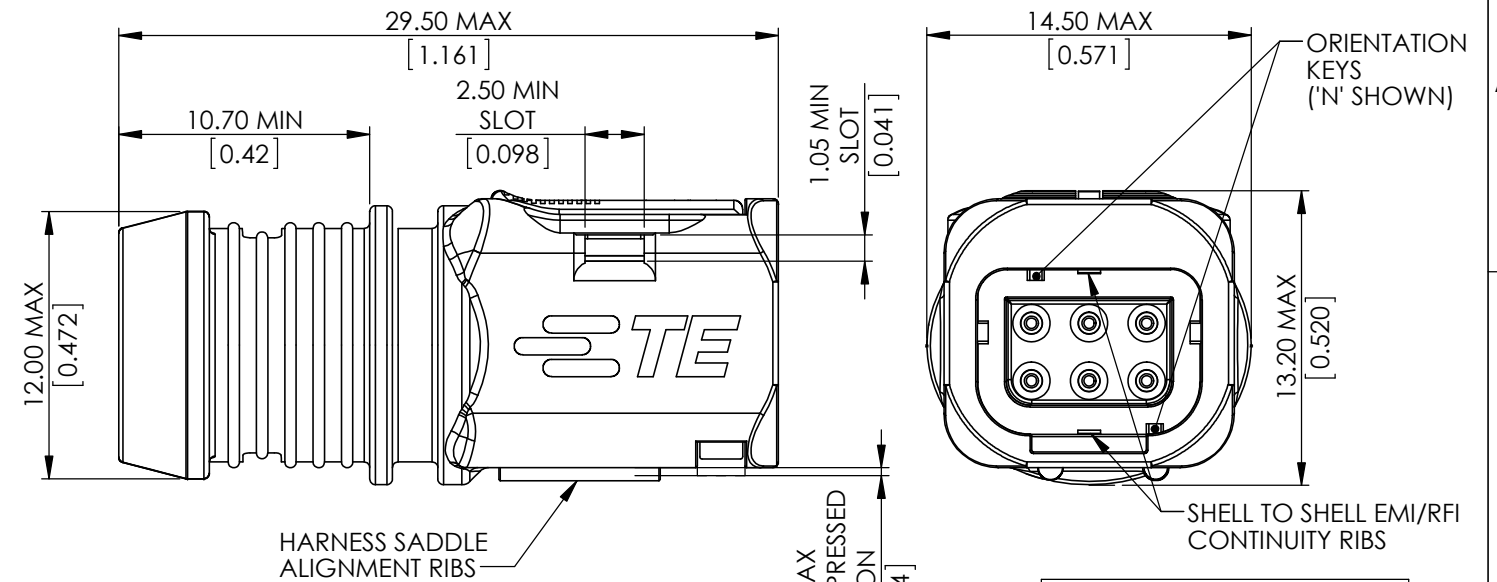
| COMPONENT | MATERIAL | FINISH |
|-------------------|---|---------------------------|
| SEALS | SILICONE / FLUOROSILICONE BLEND RUBBER PER AMS-R-25988 TYPE II, CLASS I, GRADE 40 | N/A |
| INSERT COMPONENTS | POLYETHERIMIDE, 10% GLASS FILLED PER ASTM D 5205 or POLYETHERETHERKETONE 450G | N/A |
| SHELL BODY | POLYETHERIMIDE, 10% GLASS FILLED PER ASTM D 5205 | ELECTROLESS NICKEL PLATED |

NICKEL PLATED FINISH MAY VARY IN COSMETIC APPEARANCE. PLATING MAY BE DULL IN APPEARANCE WITH A ROUGH SURFACE, OR SHINY IN APPEARANCE WITH A SMOOTH SURFACE. THIS IN NO WAY AFFECTS THE FORM, FIT OR FUNCTION OF THE PRODUCT, OR THE ENVIRONMENTAL PERFORMANCE OF THE PLATED FINISH. IT SHOULD BE CONSIDERED A VISUAL VARIATION ONLY.

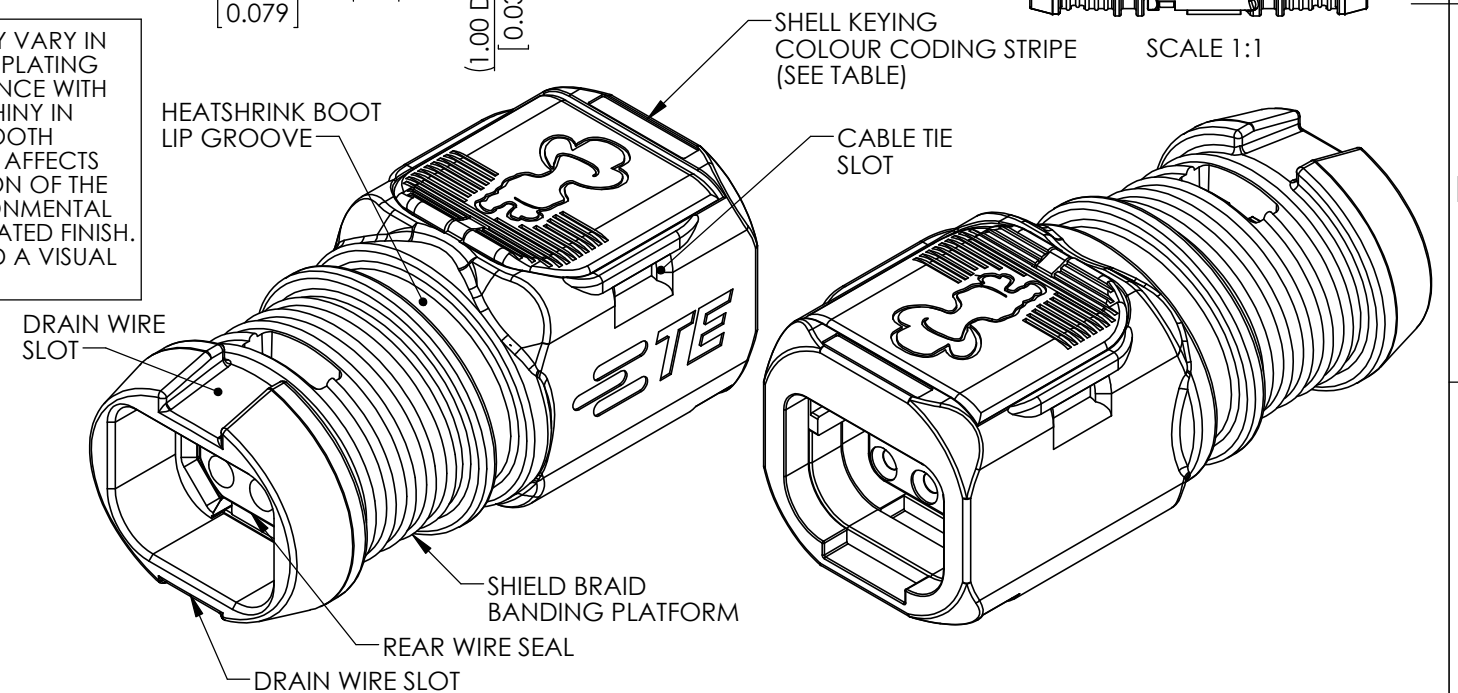
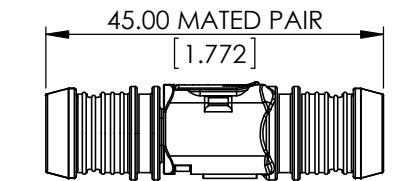
6. MAXIMUM WEIGHT (WITHOUT CONTACTS): 3.9g (PIN INSERT), 4.1 (SKT INSERT).

7. EMI SHIELDING PERFORMANCE (MATED PAIR):

| FREQUENCY (MHz) | 150 | 200 | 300 | 400 | 800 | 1000 | 1500 | 2000 | 3000 | 4000 | 6000 | 10000 |
|------------------|-----|-----|-----|-----|-----|------|------|------|------|------|------|-------|
| ATTENUATION (dB) | 65 | 60 | 55 | 55 | 45 | 43 | 40 | 37 | 35 | 33 | 30 | 20 |



| SHELL KEYING | |
|--------------|----------------------|
| ORIENTATION | COLOUR CODING STRIPE |
| N | BLACK |
| A | DARK RED |
| B | DARK BLUE |
| C | DARK GREEN |
| D | YELLOW |

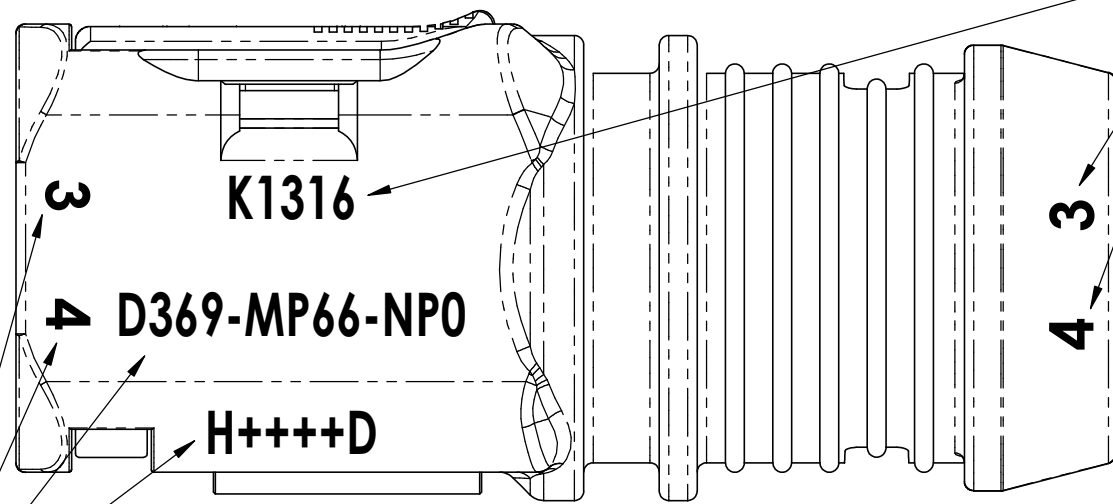


THE CONNECTOR DESCRIBED ON THIS DRAWING SHALL MEET THE QUALIFICATION REQUIREMENTS AS OUTLINED IN TE QTP 109-163002

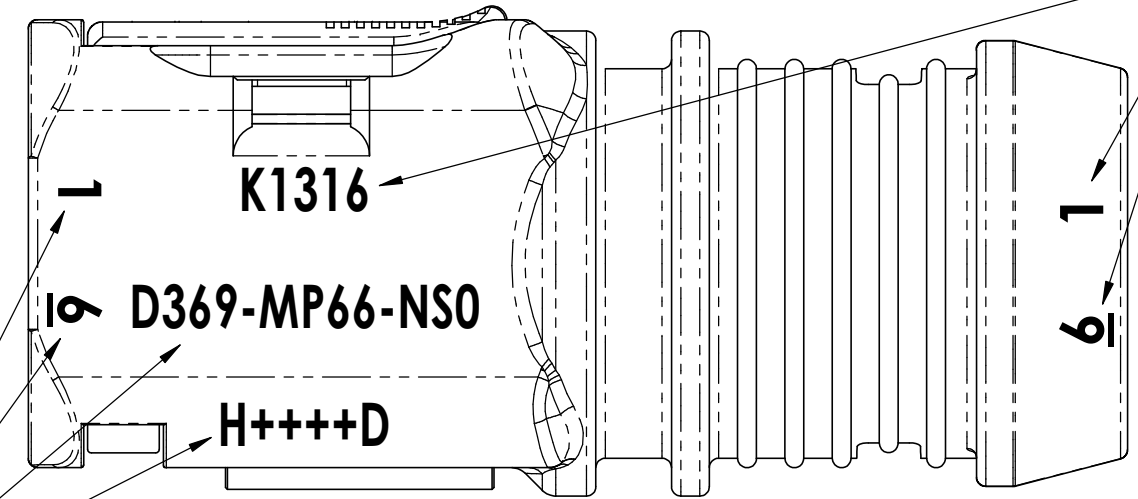
| | | | |
|---|--|------------------------------|---|
| BS8888 THIRD ANGLE PROJECTION | MATERIAL: SEE NOTE 5 | FINISH: SEE NOTE 5 | DEUTSCH TE CONNECTIVITY UK LTD., ST. LEONARDS-ON-SEA, TN38 9RF, UK. |
| UNLESS OTHERWISE STATED: DIMENSIONS: mm [INCHES] | TITLE: SHIELDED D369 PLUG SHELL SIZE 6, 6 WAY TYPE: CUSTOMER DRAWING | | |
| IF IN DOUBT, ASK | SIZE: A3 | SCALE: 3:1 | DRAWING NUMBER: 612081-6-ENV |
| | | | SHEET: 1 OF 2 ISSUE: AC |

| | | | | | | |
|-------|-------------|-------|---------|-----------|----------------|------------|
| AC | DUK-68630 | GDM | WS | KJF | GLB | 18/10/2017 |
| ISSUE | CHANGE NOTE | DRAWN | CHECKED | APP. ENG. | APP. MARKETING | DATE |

DRAWING NUMBER:
612081-6-ENV





**6 WAY PLUG
(PIN/MALE CONTACTS)**



**6 WAY PLUG
(SOCKET/FEMALE CONTACTS)**

THE CONNECTOR DESCRIBED
ON THIS DRAWING SHALL
MEET THE QUALIFICATION
REQUIREMENTS AS OUTLINED
IN TE QTP 109-163002

| | | | | | |
|---|--|------------------------------|--|----------------------|------------------------|
| BS8888 THIRD ANGLE PROJECTION  | MATERIAL: SEE NOTE 5 | FINISH: SEE NOTE 5 |  DEUTSCH TE CONNECTIVITY UK LTD., ST. LEONARDS-ON-SEA, TN38 9RF, UK. | | |
| | TITLE: SHIELDED D369 PLUG SHELL SIZE 6, 6 WAY | | | | TYPE: CUSTOMER DRAWING |
| UNLESS OTHERWISE STATED: DIMENSIONS: mm [INCHES] | SIZE: A3 | SCALE: 5:1 | DRAWING NUMBER: 612081-6-ENV | SHEET: 2 OF 2 | ISSUE: AC |

THIS INFORMATION IS CONFIDENTIAL AND PROPRIETARY TO TYCO ELECTRONICS CORPORATION AND ITS
 WORLDWIDE SUBSIDIARIES AND AFFILIATES (TE). IT MAY NOT BE DISCLOSED TO ANYONE, OTHER THAN TE
 PERSONNEL, WITHOUT AUTHORIZATION FROM TE (www.te.com).