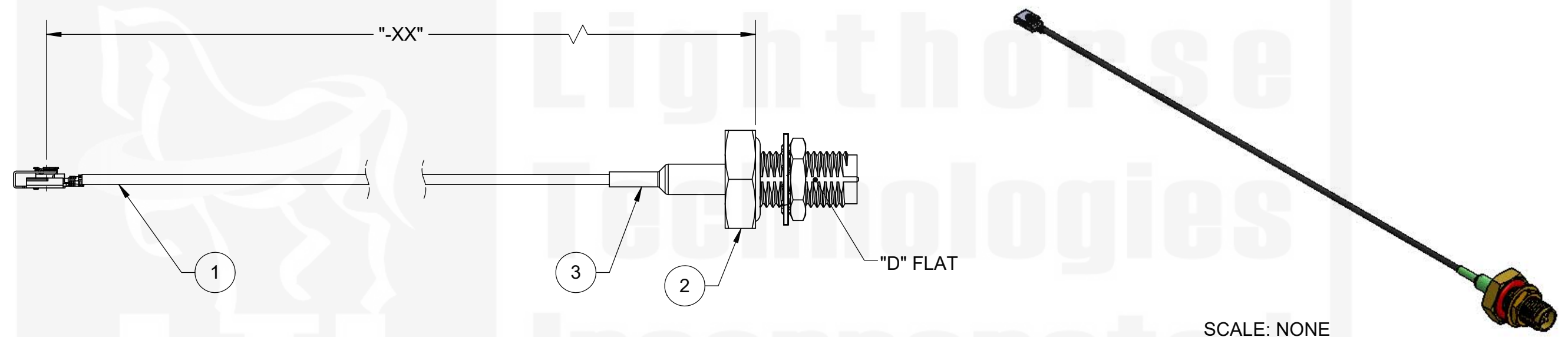


REVISIONS				
REV	ECR	DESCRIPTION	DRAWN	DATE
1		ENGINEERING RELEASE	P. BURDGE	11/3/2020

-XX IN THE ENDING OF THE CABLE PART NUMBER IS CALLING OUT THE LENGTH OF THE ASSEMBLY FROM CENTER TO MATING FLANGE OF CONNECTORS. EXAMPLES SHOWN BELOW:


LTI P/N: CB1.37-IPXLK-SARF3OGTX9-6IN (6 INCHES)
 CB1.37-IPXLK-SARF3OGTX9-10IN (10 INCHES)



SCALE: NONE

ITEM	PART NUMBER	DESCRIPTION	QTY
1	IPXLK-137	I-PEX (MHF1), LOCKING, 1.37 MICRO COAX	1
2	SASRF13ROGT-113-X9	SMA, RP JACK, BLKHD MNT, O-RING, IP-67, CABLE CRIMP	1
3	1635F-1/8"	.125 (1/8) DIA, .75 LENGTH, GREEN	1

IPX® AND MHF® ARE REGISTERED TRADEMARKS OF I-PEX CO., LTD. CORPORATION

DO NOT SCALE DRAWING TOLERANCES UNLESS OTHERWISE SPECIFIED DIMENSIONS ARE IN MILLIMETERS X = ±0.5 X.X = ±0.25 X.XX = ±0.13 ANGLE = ±30'		 Lighthouse Technologies San Diego, CA WWW.RFCONNECTOR.COM
TITLE: CABLE ASSY, I-PEX MHF1 LOCKING, R/A JACK, CRIMP TO SMA, RP JACK, BLKHD MNT, O-RING, IP-67, 1.37 MICRO COAX		
CUSTOMER APPROVAL SIGN / DATE: _____ ENG APPR. _____ CHECKED _____ DRAWN P. BURDGE 11/03/2020 NAME _____ DATE _____		SIZE: B PART/DWG. NO: CB1.37-IPXLK-SARF3OGTX9-xxIN REV: 1
SCALE: 2:1		FILE NAME
		SHEET 1 OF 1

PROPRIETARY AND CONFIDENTIAL
 UNLESS OTHERWISE SPECIFIED: THIS DOCUMENT CONTAINS LIGHORSE TECHNOLOGIES INFORMATION. REPRODUCTION, USE, DISCLOSURE OR TRANSMITTAL OF ALL OR ANY PART OF THIS DOCUMENT IS PROHIBITED EXCEPT TO THE EXTENT APPROVED IN WRITING BY AN AUTHORIZED REPRESENTATIVE OF LIGHORSE TECHNOLOGIES. LIGHORSE TECHNOLOGIES RESERVES ALL RIGHTS UNDER PATENTS, TRADEMARKS, COPY RIGHTS AND TRADE SECRETS. COPY RIGHTS OF LIGHORSE TECHNOLOGIES 2011, ALL RIGHTS RESERVED.

