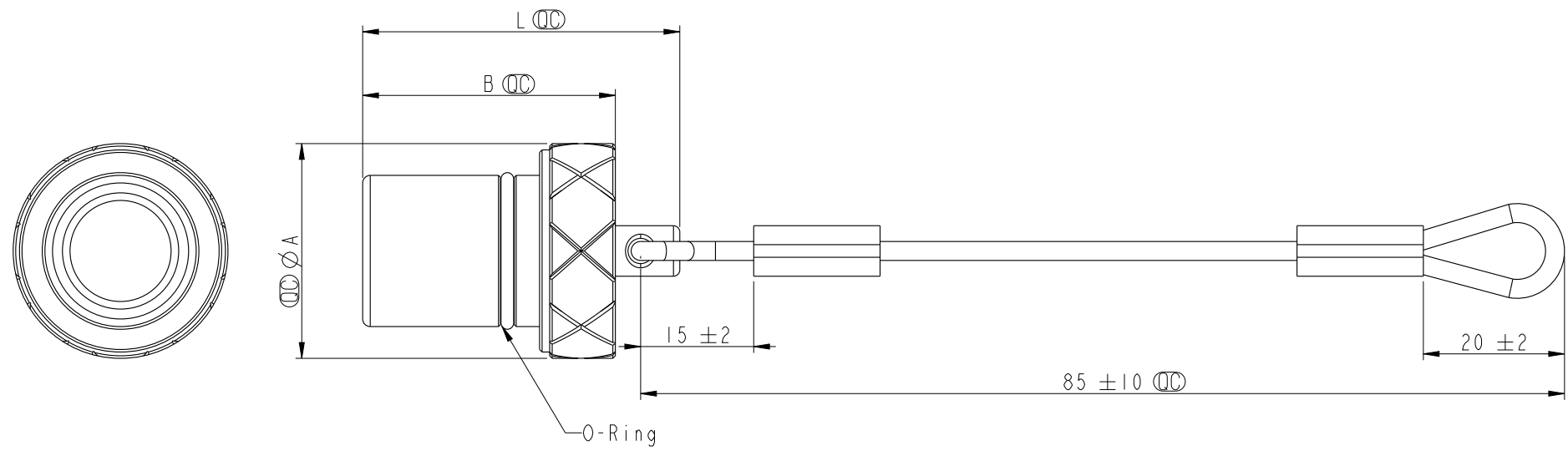
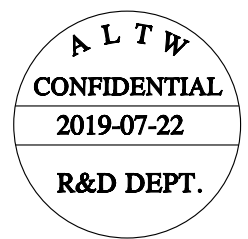


THIS DOCUMENT IS SUBJECT TO CHANGE WITHOUT NOTICE. IT IS CONFIDENTIAL AND A PROPERTY OF Amphenol LTW. DISCLOSURE TO THIRD PARTY HAS TO BE AUTHORIZED BY Amphenol LTW.

REV.	DESCRIPTION



CAP-WLKFOCEX  
Series



Notes:  
 \*  $\text{CC}$  Important Dimensions To Check.  
 \* Cap: Brass, CR Plated.  
 \* O-Ring: Silicone Red

Product No.	Series	A	B	L
CAP-WLKFOCE2	0K	15.0	15.0	20.0
CAP-WLKFOCE3	1K	17.0	20.0	25.1
CAP-WLKFOCE4	2K	20.5	24.5	30.1

UNIT: mm		
TOLERANCE		
±0.2MM		

TITLE FLO K ZFG Waterproof CAP			
SCALE 1:1	SIZE A4	SHEET 1 OF 1	
REV. A	WC-REV. .0	$\text{CC}$ : Inspection item	

**Amphenol LTW**  
 安費諾亮泰企業股份有限公司

ITEM NO	DRAWN BY Ouyang	DATE 2019-07-22
DWG NO CAP-WLKFOCEX	CHECKED BY Jerry	DATE 2019-07-22
CUSTOMER ALTW	APPROVED BY Fred	DATE 2019-07-22