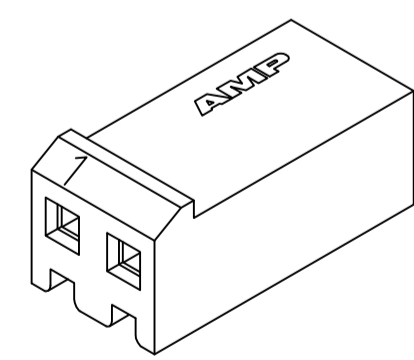
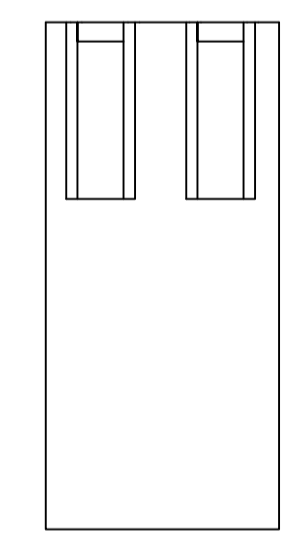
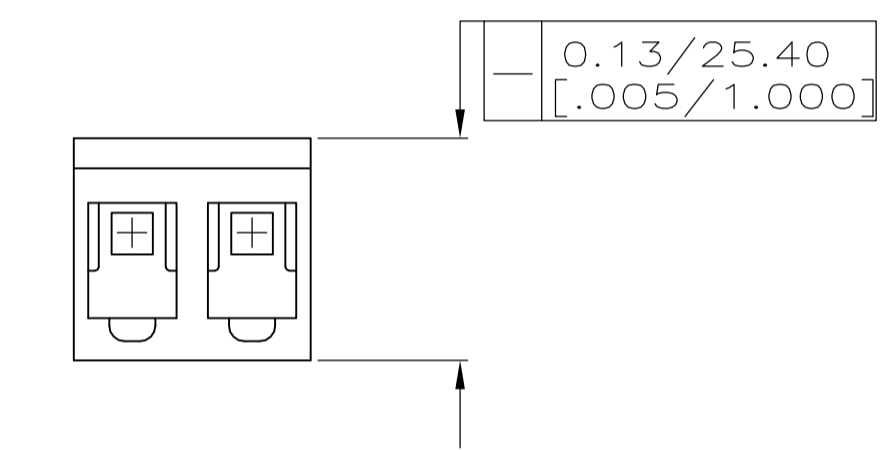
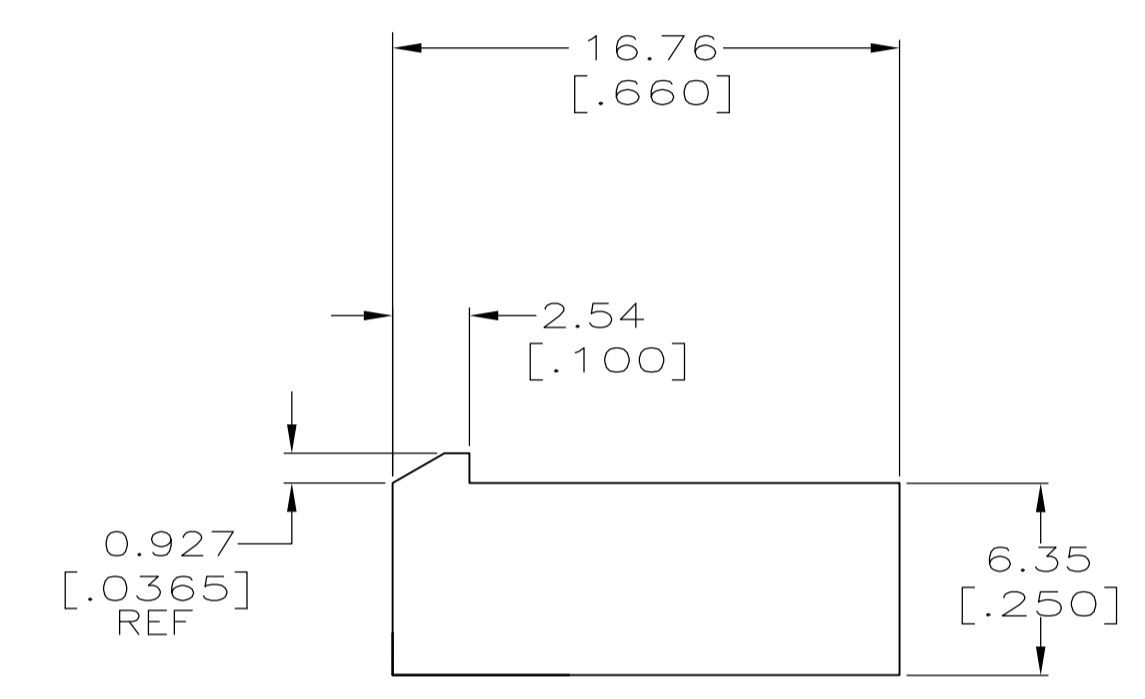
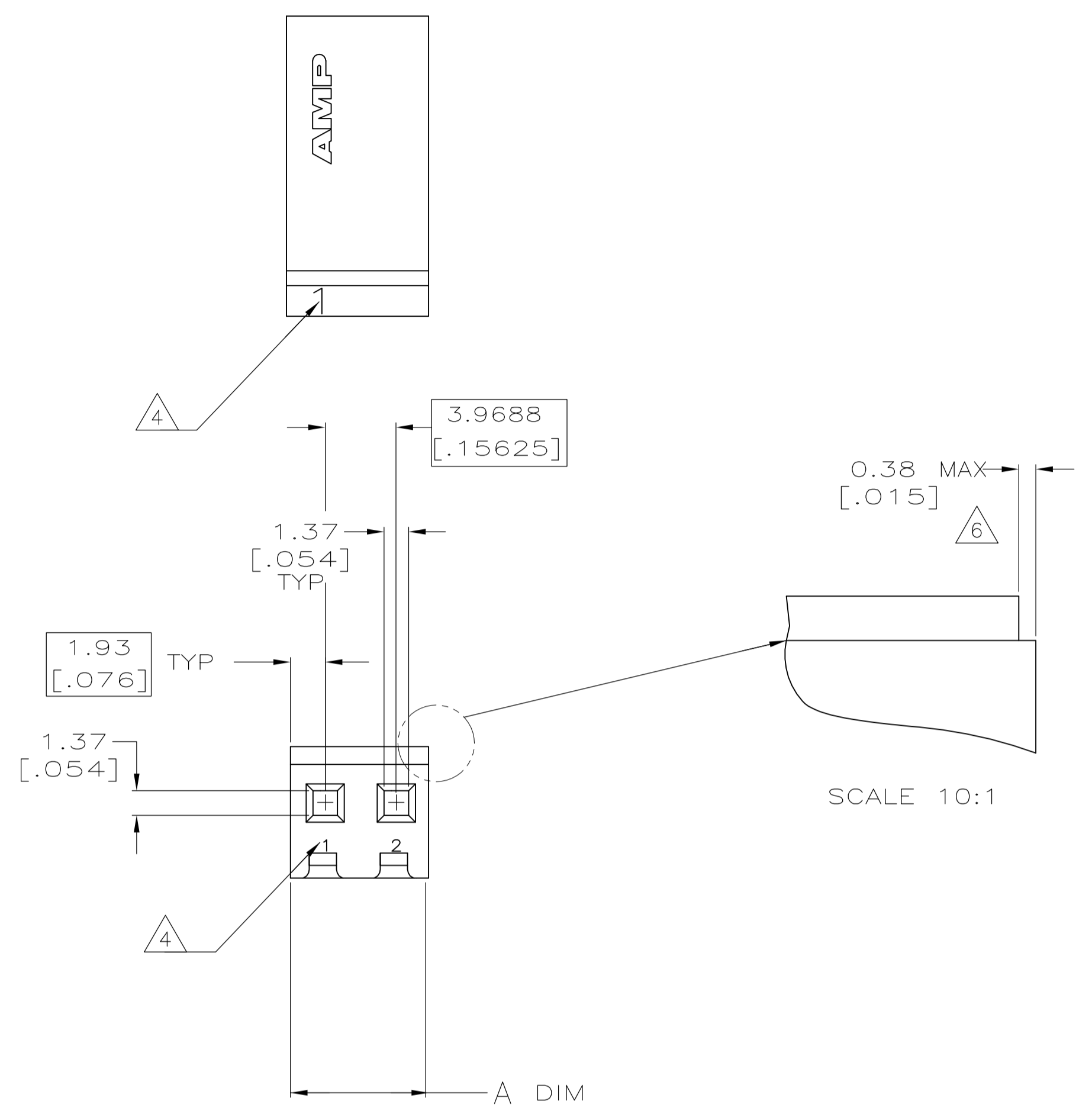


LOC		DIST		REVISIONS			
P	LTR	DESCRIPTION	DATE	DMN	APVD		
F		REVISED PER ECR-13-018617	18DEC2013	KH	TM		

- 1 UNIT ACCEPTS 1.14 [.045] SQUARE OR ROUND POST.
- 2 UNIT ACCEPTS STANDARD SL-156 CONTACTS.
- 3 UNIT ACCEPTS KEYING PLUG 640254-1 AND KEYING PIN 640255-1.
- 4 CIRCUIT I.D. NUMBER(S), TO BE LOCATED SEQUENTIALLY AS SHOWN OR ONLY NO.1 CIRCUIT PLACED ON LOCKING RAMP.
- 5 DIMENSIONS IN BRACKETS ARE IN INCHES.
- 6 OPTIONAL CONSTRUCTION (BOTH CORNERS).



3-DIMENSIONAL MODEL NTS

7.82	[.308]	2	644268-2
A±0.25 [.010]		NO. OF CIRCUITS	PART NUMBER
DIMENSIONS: mm [INCHES] TOLERANCES UNLESS OTHERWISE SPECIFIED: 0. PLC ± - 1. PLC ± - 2. PLC ± - 3. PLC ± 0.13 [.005] 4. PLC ± - ANGLES ± 0°30'		DIN 7-29-92 R. SWING 7-29-92 F. BEILES 9-28-92 NAME: HOUSING WITH LOCKING RAMP, BLUE, SL-156 APPLICATION SPEC SIZE: A1 CAGE CODE: 00779 DRAWING NO: 644268 RESTRICTED TO: - WEIGHT: - CUSTOMER DRAWING	
MATERIAL: NYLON, UL 94V-0 BLUE		SCALE: 4:1	SHEET 1 OF 1 REV F