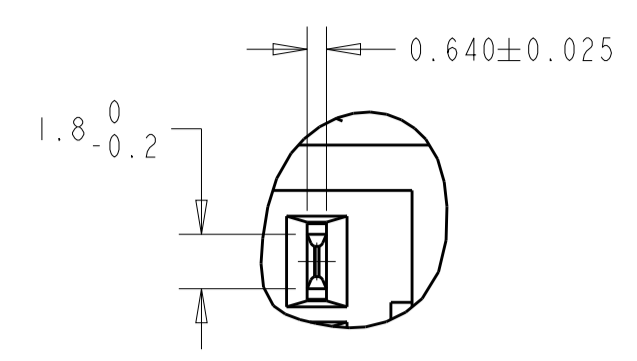
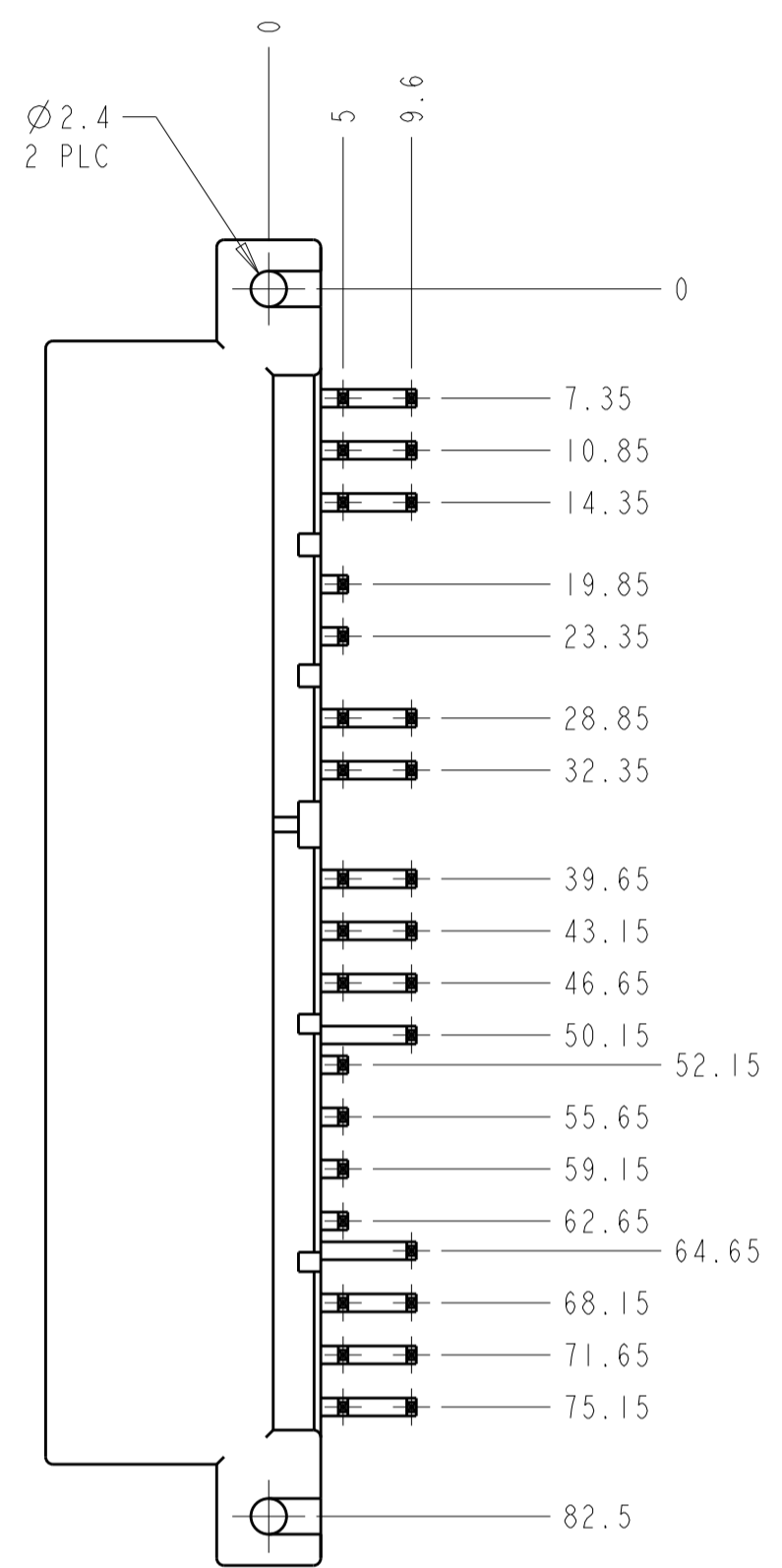
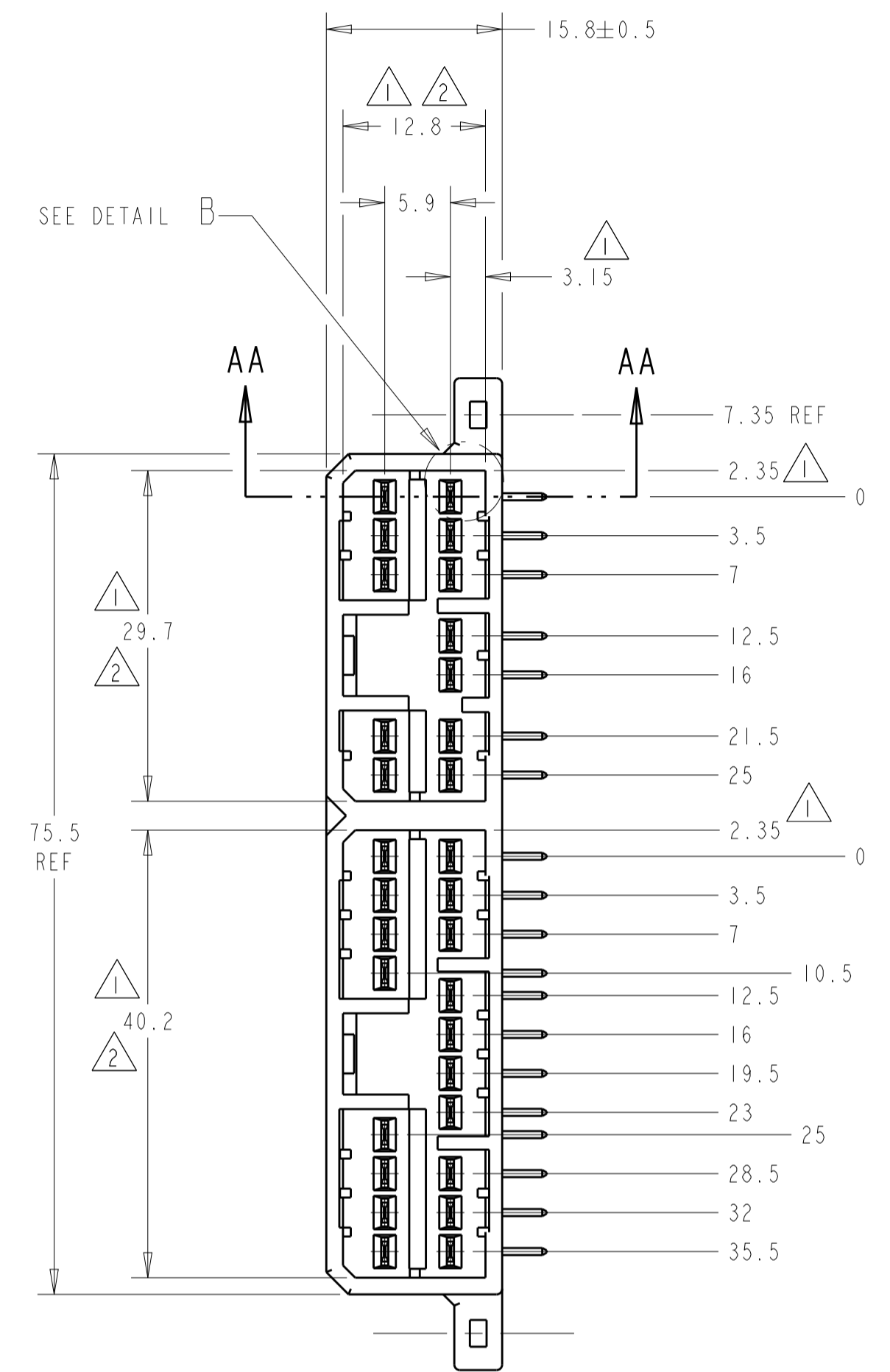
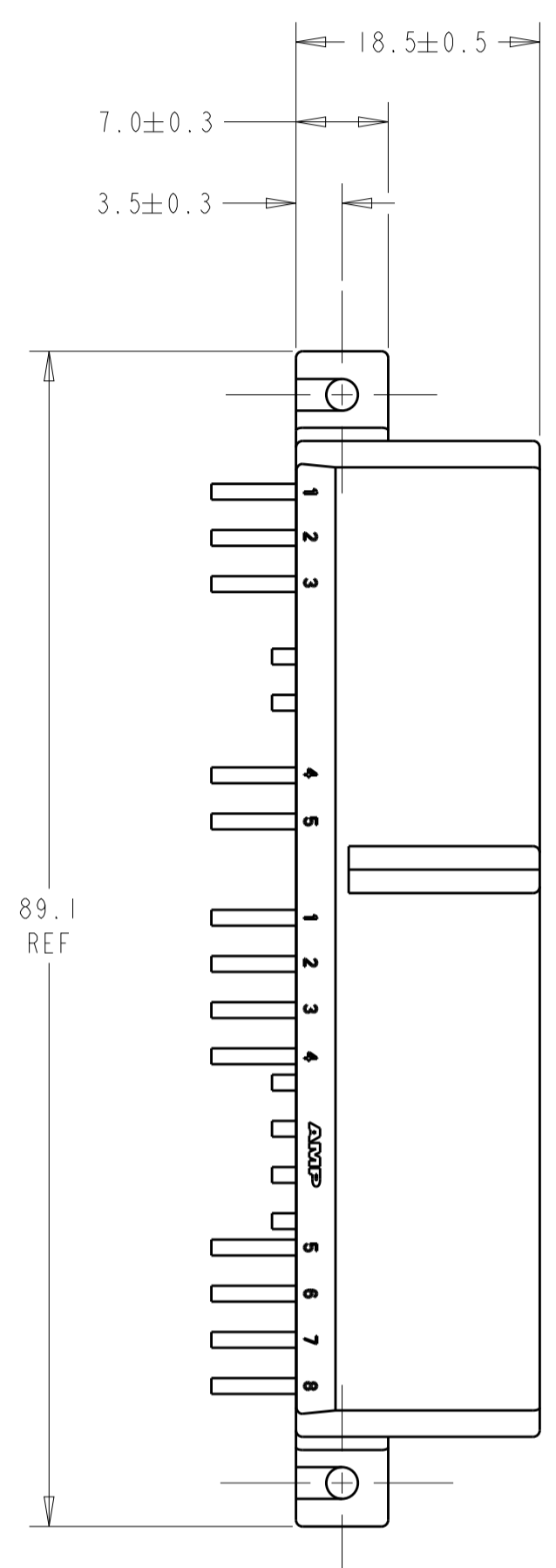


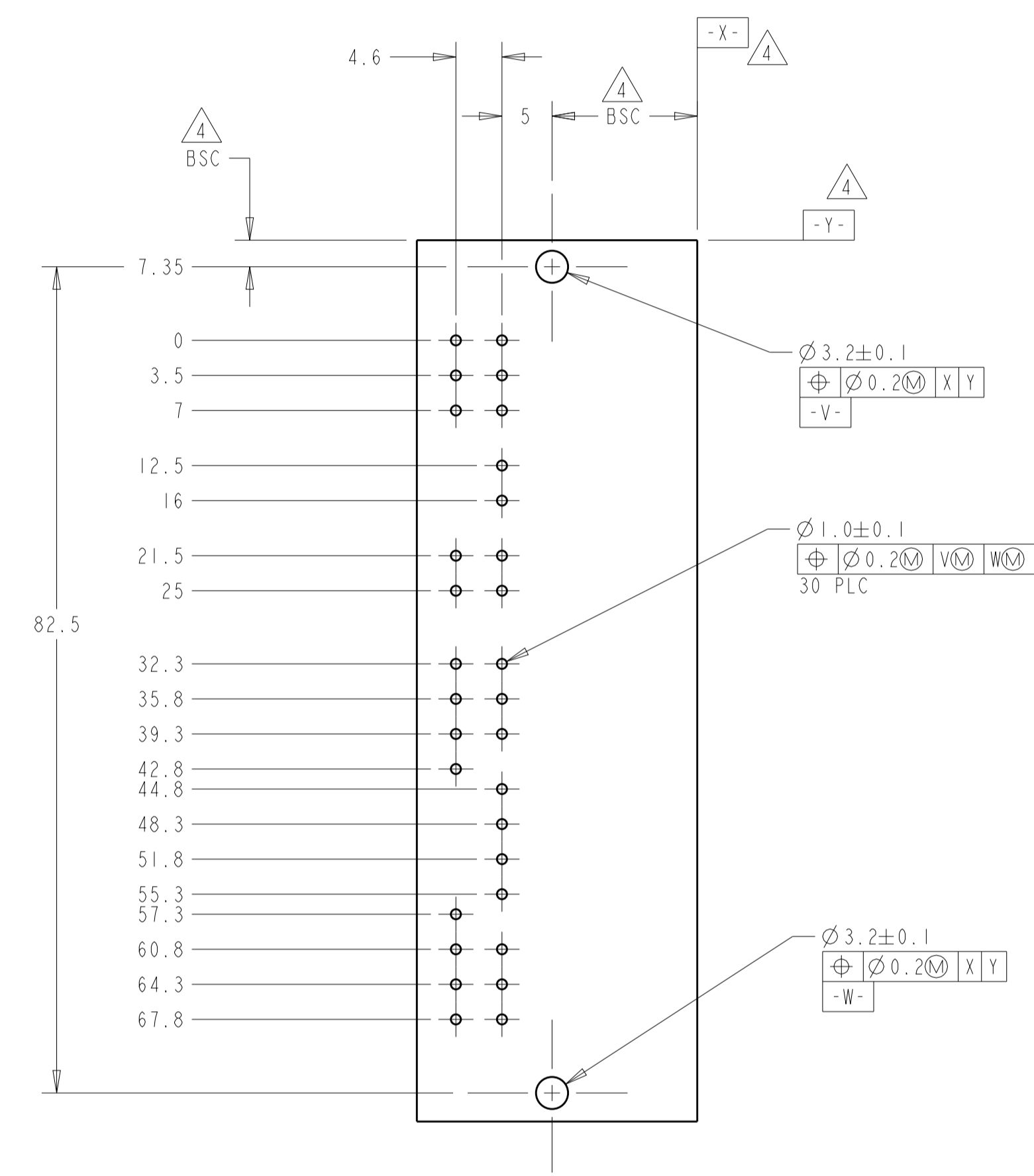
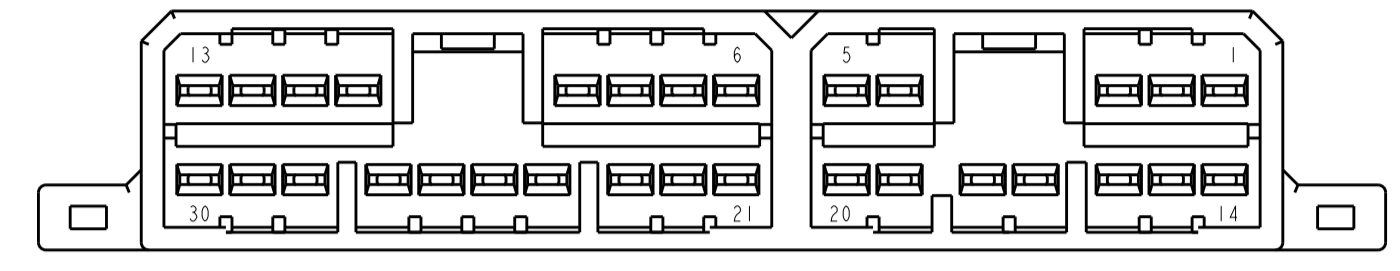
LOC	DIST	REVISIONS					
		P	LTN	DESCRIPTION	DATE	DMN	APVD
		A		REV PER EC OK80-0244-02	01NOV2002	RGV	SSA
		A1		REV PER EC OK80-0139-03	19MAY2003	DJA	SSA
		B		REVISED PER ECR-06-002241	01JUN2006	AH	SA
		B1		REVISED PER ECO-19-002970	27FEB2019	JMS	KF



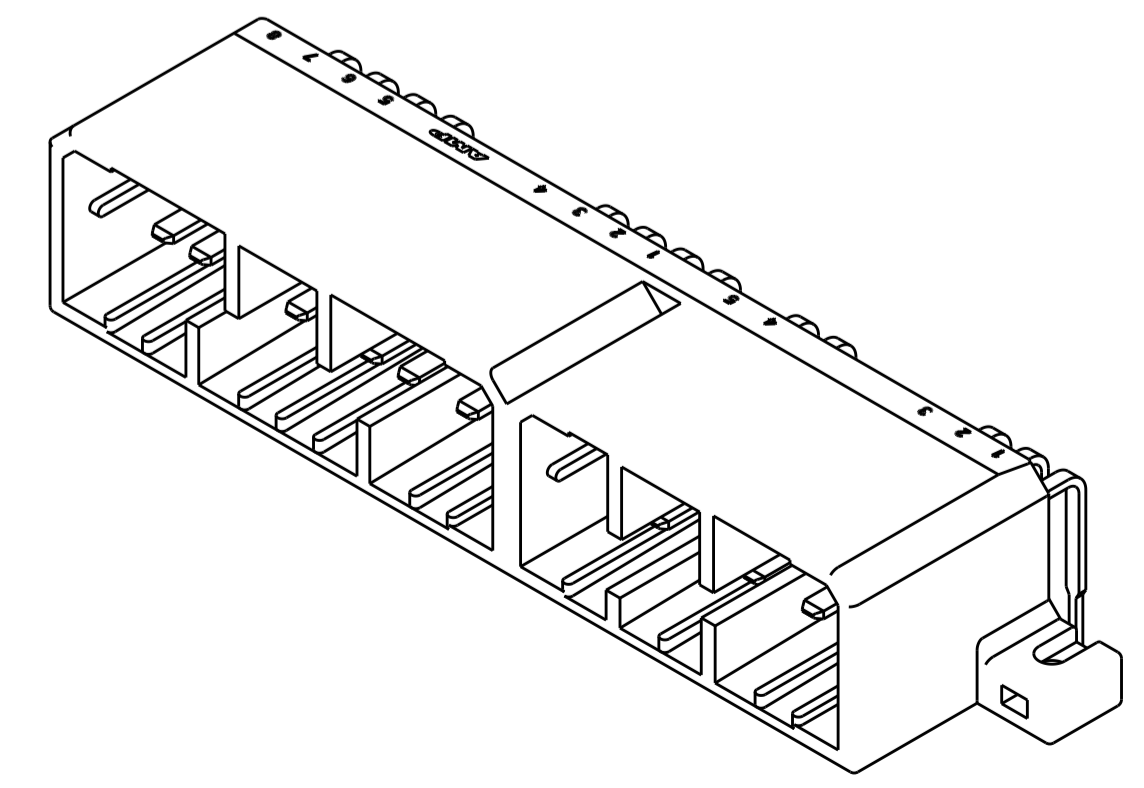
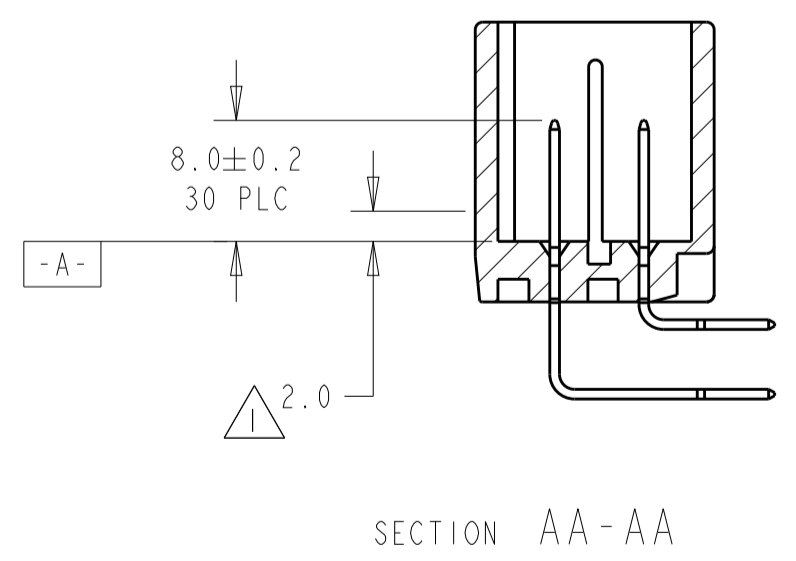
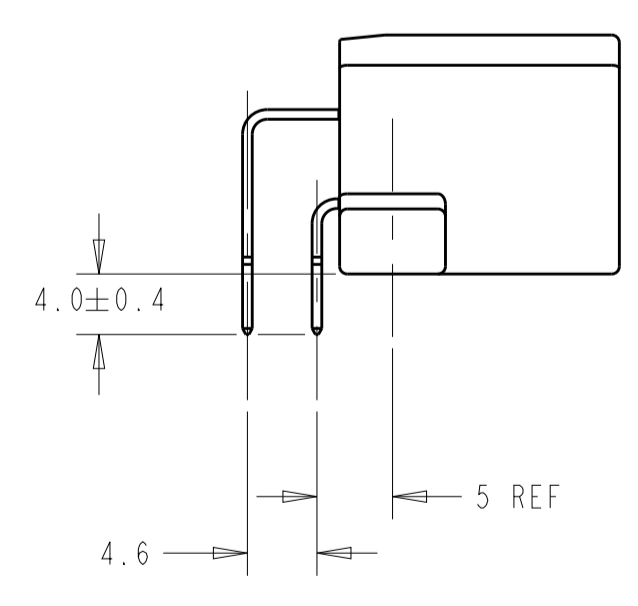
DETAIL B
SCALE 4:1



- 1. DIMENSION MUST BE HELD BETWEEN -A- AND 2.0mm FROM -A-.
- 2. TO MATE WITH PLUG HOUSING SMOOTHLY.
- 3. USE M3 TAPPING SCREW JIS B1115 OR 1122 (TYPE 2 OR 4) BEFORE SOLDER.
- 4. DATUMS AND BASIC DIMENSIONS ESTABLISHED BY CUSTOMER.
- 5. MATING PLUG PART NUMBERS ARE:
173853 (18 POSITION)
173851 (12 POSITION)
- 7. CIRCUIT NUMBERS:



P.C. BOARD LAYOUT
RECOMMENDED BOARD THICKNESS 1.60±0.15mm
TOLERANCES ±0.1



CONTACT NUMBER	MATERIAL	FINISH	MATERIAL	COLOR	PART NO
-	BRASS	POST TIN	PBT	GREEN	4-638977-2
-	BRASS	POST TIN	PBT	WHITE	4-638977-1
1 - 30	BRASS	GOLD	PBT	GREEN	2-638977-4
1 - 30	BRASS	GOLD	PBT	WHITE	2-638977-1
-	BRASS	PRE-TIN	PBT	GRAY	638977-6
-	BRASS	PRE-TIN	PBT	GREEN	638977-4
-	BRASS	PRE-TIN	PBT	WHITE	638977-1
SELECTIVE GOLD CONTACT NUMBER	MATERIAL	FINISH	MATERIAL	COLOR	PART NO

DIMENSIONS: mm 	TOLERANCES UNLESS OTHERWISE SPECIFIED: 0 PLC ±0.3 1 PLC ±0.3 2 PLC ±0.30 3 PLC ± 4 PLC ± ANGLES ±1°	DWN R. VESTAL 11JAN2001 CHK S. ASHLEY 11JAN2001 APVD S. ASHLEY 11JAN2001 PRODUCT SPEC APPLICATION SPEC WEIGHT CUSTOMER DRAWING	NAME 30 POSITION CAP HOUSING ASSEMBLY, .070 SERIES MULTILOCK I/O CONNECTOR SIZE CAGE CODE DRAWING NO A1 00779 C=638977 SCALE 2:1 SHEET 1 OF 1 REV B1
-----------------------	---	--	--