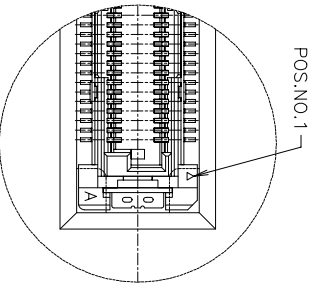
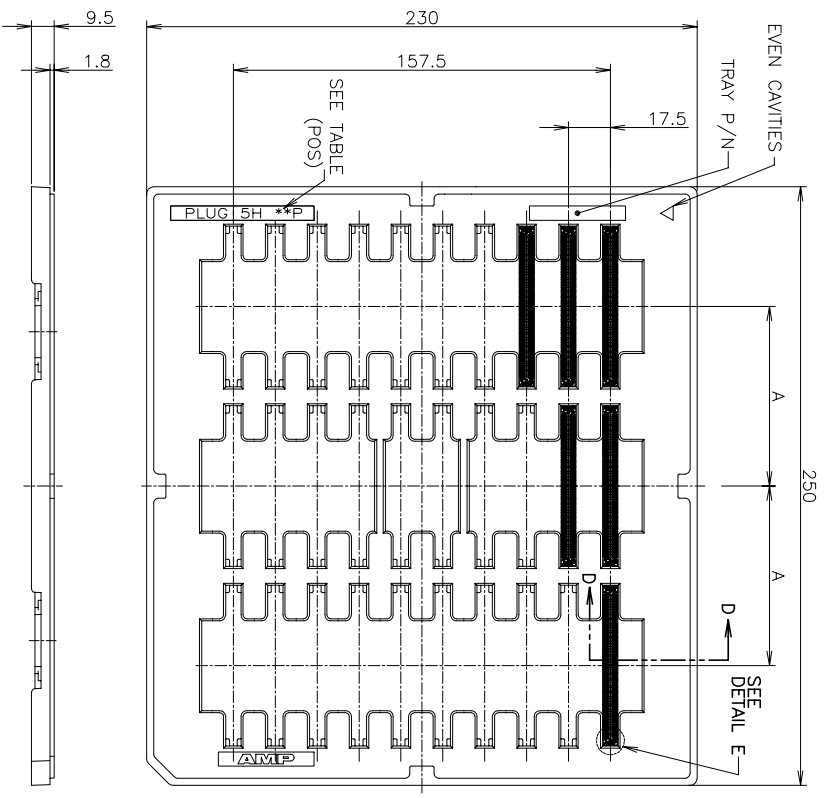
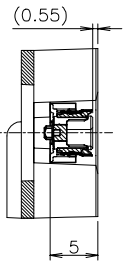


REVISIONS					
P	LR	DESCRIPTION	DATE	OWN	APPD
D3		REMOVE TRAY HOLE PER PCN-22-135638	20JUN2022	M.C.H.L.	



DETAIL E
(SCALE 4:1)



SECT. D-D
(SCALE 2:1)
ROTATED 90° CW

**WITHOUT
CAP**

THIS DRAWING IS A CONTROLLED DOCUMENT.

DIMENSIONS:		TOLERANCES UNLESS OTHERWISE SPECIFIED:	
MM		± 0.25	
0 PLG		± 0.15	
1 PLG		± 0.10	
2 PLG		± 0.10	
3 PLG		± 0.0250	
4 PLG		± 3°	

MATERIAL	FINISH
	0 PLG
	1 PLG
	2 PLG
	3 PLG
	4 PLG

MIN	OWN
18MAR05	S.SOHEN
18MAR05	T.FUTATSUGI
18MAR05	M.KODAMA

PRODUCT SPEC	APPLICATION SPEC
108-5560	

NO	QTY	ROW	SEALANT	FINISH
3	30	A		Δ
3	30	A		Δ
75	220	A		Δ
220	9-1827253-6			
220	3-1827253-6			

STE TE Connectivity Ltd.

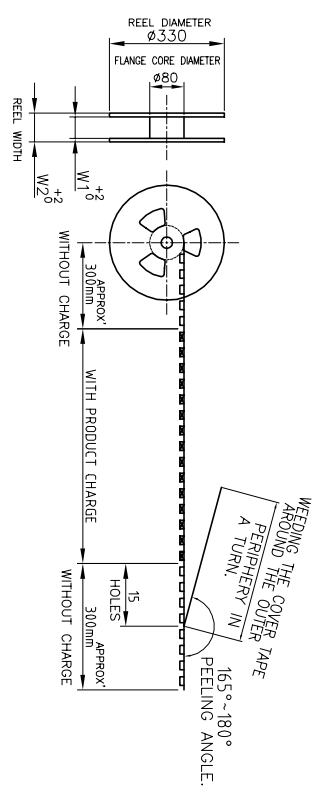
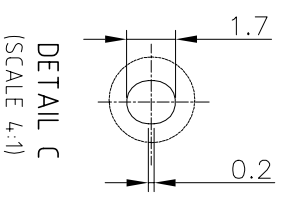
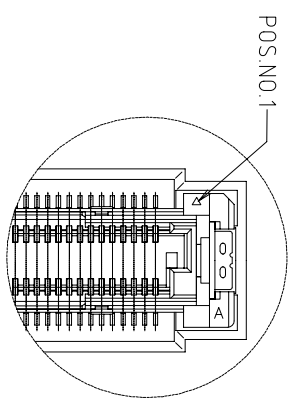
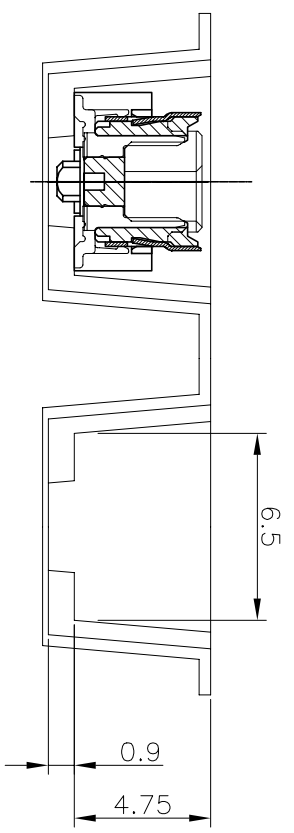
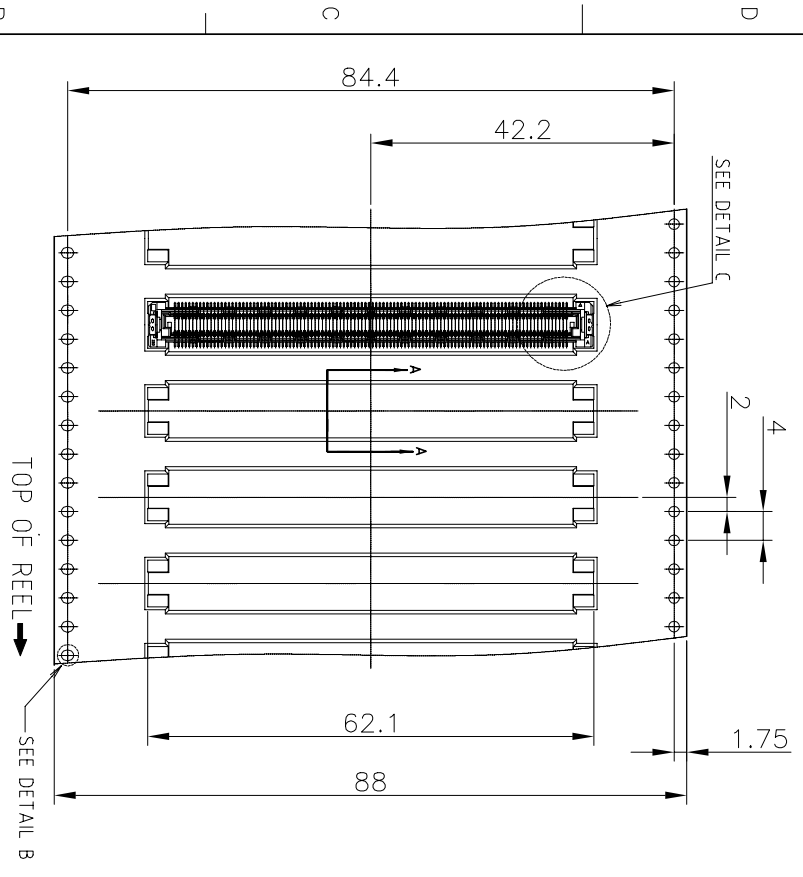
HARD TRAY PACKAGING
FH 0.5 BTB CONNECTOR 220POS
PLUG 5H WITH GROUND PLATE

SIZE	A3
CAGE CODE	00779
DRAWING NO	1827253
RESTRICTED	NO

CUSTOMER DRAWING

SCALE	1:2
SHEET	1 of 5
REV	D3

REVISIONS		DATE	OWN	APPD
P	LR	DESCRIPTION		
-	-	SEE SHEET 1	-	-



WITHOUT CAP

THIS DRAWING IS A CONTROLLED DOCUMENT.

DIMENSIONS:	MM	TOLERANCES UNLESS OTHERWISE SPECIFIED:
0 PIC		± 0.25
1 PIC		± 0.15
2 PIC		± 0.10
3 PIC		± 0.10
4 PIC		± 0.0250
ANGLES		± 3°

OWN	18MAR05
SCHEN	18MAR05
T. FUTATSUGI	18MAR05
APD	AKODAMA
PRODUCT SPEC	
APPLICATION SPEC	
WEIGHT	

NO	NO	NO	QTY/	POS	TAPING
△	NO	93.5	800	220	9-1827253-7
△	NO	93.5	800	220	4-1827253-6
	FINISH	SEALANT			
		SIF-200B			

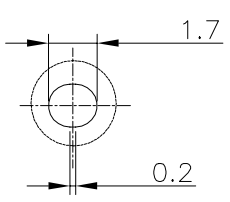
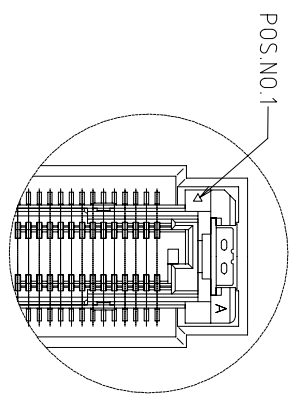
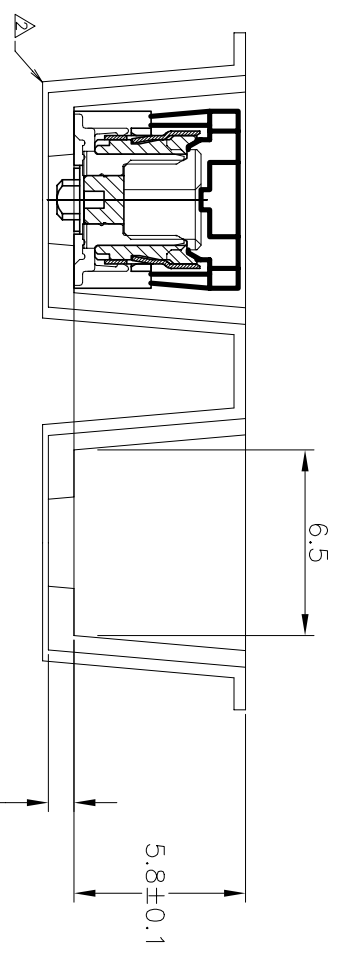
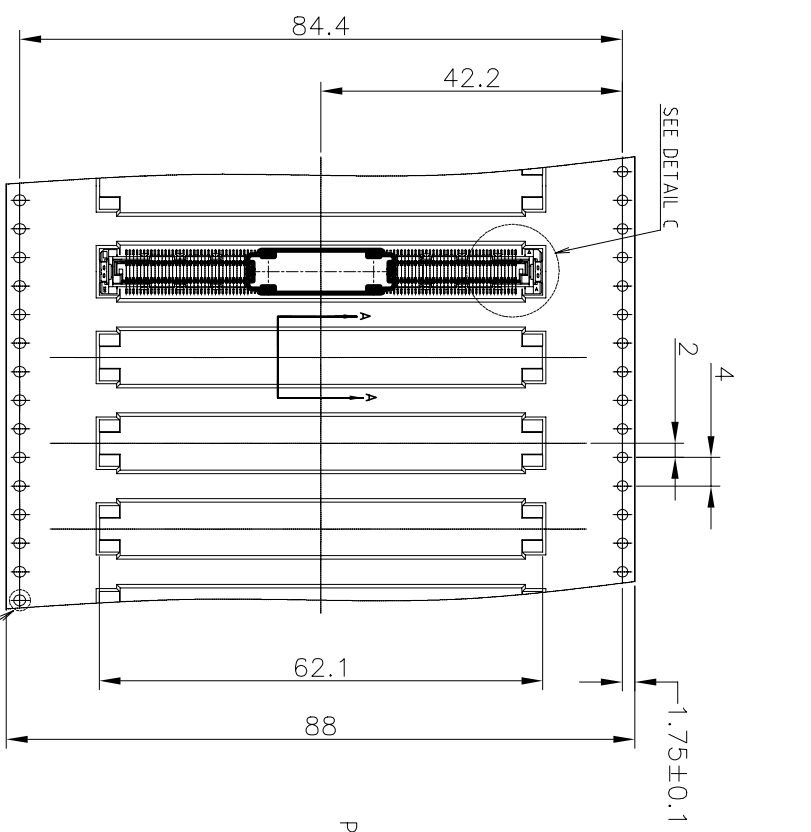
STE TE Connectivity Ltd.

ON TAPING EMOSS
FH 0.5 BTB CONNECTOR 220POS
PLUG 5H WITH GROUND PLATE

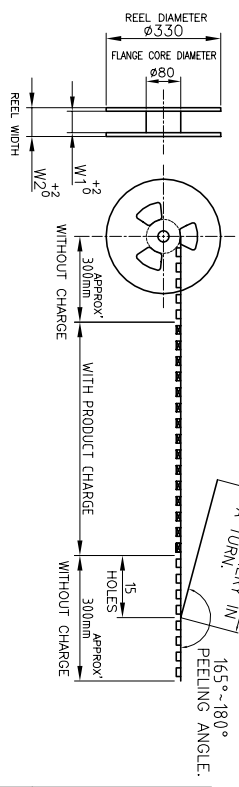
SIZE CAGE CODE DRAWING NO
A300779 ©=1827253

CUSTOMER DRAWING	SCALE	SHEET	REV
	1:2	2 of 5	D3

REVISIONS		DATE	BY	APP'D
P	LTR	DESCRIPTION		
-	-	SEE SHEET 1	-	-



WELDING THE COVER TAPE AROUND THE OUTER PERIPHERY IN A TURN.
PEELING ANGLE: 165°~180°



WITH CAP

△	BLACK	NO	93.5	89.5	700	220	9-1827253-9
△	NATURE	NO	93.5	89.5	700	220	9-1827253-8
△	NATURE	NO	93.5	89.5	700	220	4-1827253-8
	FINISH	SEALANT	W2	W1	QTY/REEL	POS	TAPING P/N
	CAP COLOR	SIF-200B					

THIS DRAWING IS A CONTROLLED DOCUMENT.

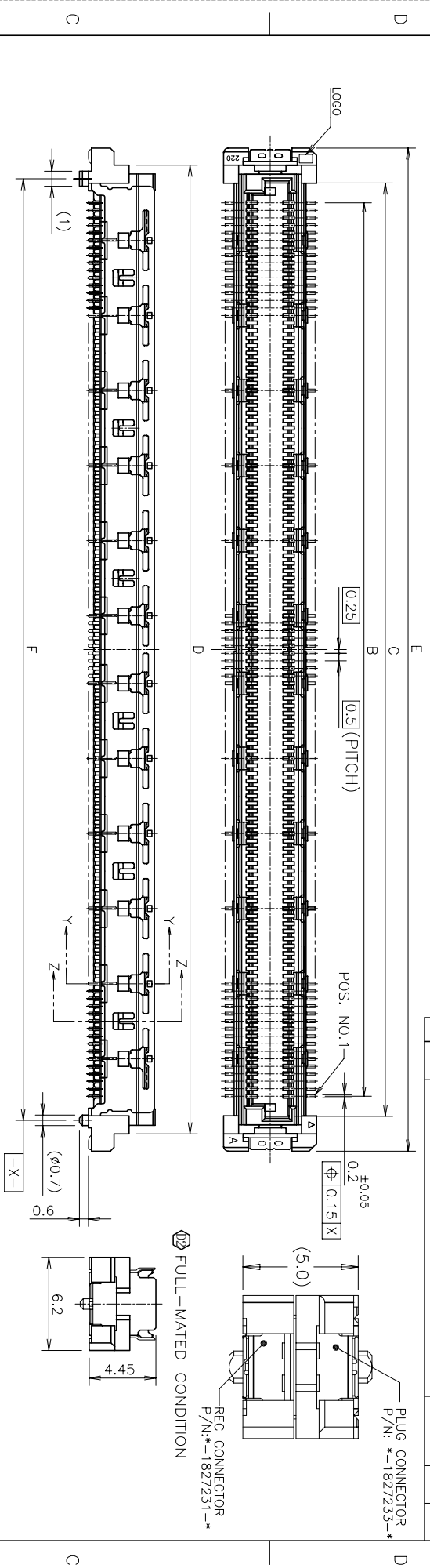
DIMENSIONS: MM
TOLERANCES UNLESS OTHERWISE SPECIFIED:
0 PIC ± 0.25
1 PIC ± 0.15
2 PIC ± 0.10
3 PIC ± 0.10
4 PIC ± 0.0250
ANGLES ± 5°



FINISH: 0 PIC, 1 PIC, 2 PIC, 3 PIC, 4 PIC, ANGLES

STE TE Connectivity Ltd.
 ON TAPING EMBOSS
 FH 0.5 BTB CONNECTOR 220POS
 PLUG 5H WITH GROUND PLATE
 APPLICATOR SPEC
 PRODUCT SPEC
 APPLICATOR SPEC
 WEIGHT
 CUSTOMER DRAWING
 SCALE 1:2 SHEET 3 of 5 REV D3
 A300779 © 1827253
 RESTRICTED TO

REVISIONS		DATE	DMN	APD
P	LR			
-	SEE SHEET 1			



SECT. Z-Z
(SIGNAL POSITION)
(SCALE 8:1)

SECT. Y-Y
(GROUND POSITION)
(SCALE 8:1)

57.7	61.8	59.5	57.1	54.5	220	9-1827253-9
57.7	61.8	59.5	57.1	54.5	220	9-1827253-8
57.7	61.8	59.5	57.1	54.5	220	9-1827253-7
57.7	61.8	59.5	57.1	54.5	220	9-1827253-6
57.7	61.8	59.5	57.1	54.5	220	4-1827253-8
57.7	61.8	59.5	57.1	54.5	220	4-1827253-6
57.7	61.8	59.5	57.1	54.5	220	3-1827253-6
F	E	D	C	B	CONN. COLOR	PART NO.

THIS DRAWING IS A CONTROLLED DOCUMENT.

DIMENSIONS:		TOLERANCES UNLESS OTHERWISE SPECIFIED:	
MM		± 0.25	
0 PIC		± 0.15	
1 PIC		± 0.10	
2 PIC		± 0.10	
3 PIC		± 0.0250	
4 PIC		± 0.0250	
ANGLES		± 3°	

FINISH	

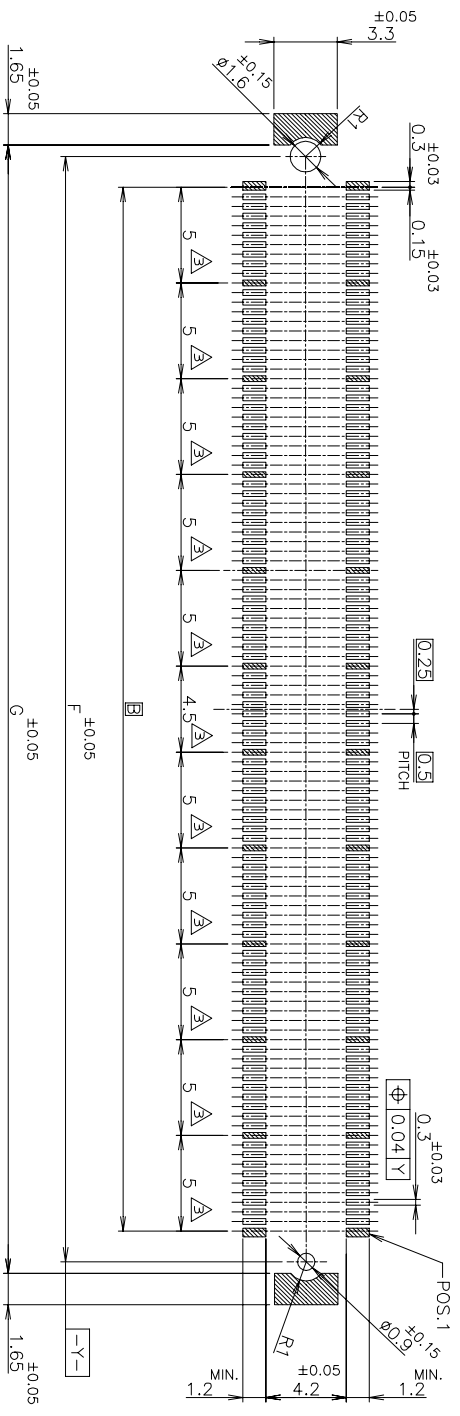
MATERIAL	



TE Connectivity Ltd.
ASSEMBLY
FH 0.5 BTB CONNECTOR 220POS
PLUG 5H WITH GROUND PLATE

DMN	CHK	APD	NAME
PRODUCT SPEC	APPLICATION SPEC	WEIGHT	CUSTOMER DRAWING
SIZE	CAGE CODE	DRAWING NO	RESTRICTED
A3	00779	1827253	NO
SCALE	4:1	SHEET	4 OF 5
REV			D3

REVOLUTIONS		DATE	OWN	APP'D
P	LR	DESCRIPTION		
-	-	SEE SHEET 1	-	-



REFERENCE P.C. BOARD LAYOUT OF CONNECTOR

NOTES

- △ MATERIAL : HOUSING: HIGH TEMP THERMO PLASTIC UL94V-0
CONTACT: COPPER ALLOY
SOLDER PEG : COPPER ALLOY
- △ FINISH : SIGNAL CONTACT : UNDER P.L. Ni: 0.0013mm MIN ALL OVER
SOLDERING AREA 0.0002mm MIN Au PL.
GROUND CONTACT : UNDER P.L. Ni: 0.0013mm MIN ALL OVER
CONTACT AREA 0.0002mm MIN Au PL.
SOLDERING AREA 0.00005mm MIN Au PL.
- △ FINISH : SIGNAL CONTACT : UNDER P.L. Ni: 0.0013mm MIN ALL OVER
CONTACT AREA 0.00076mm MIN Au PL.
SOLDERING AREA 0.00005mm MIN Au PL.
- △ HIGH TEMPERATURE VERSION.
- △ THIS POSITION IS GROUND CIRCUIT.
- △ FINISH : SIGNAL CONTACT : UNDER P.L. Ni: 0.0013mm MIN ALL OVER
CONTACT AREA 0.00076mm MIN Au PL.
SOLDERING AREA 0.00005mm MIN Au PL.
- △ FINISH : SIGNAL CONTACT : UNDER P.L. Ni: 0.0013mm MIN ALL OVER
CONTACT AREA 0.00076mm MIN Au PL.
SOLDERING AREA 0.00005mm MIN Au PL.

DATE	DESCRIPTION	DATE	OWN	APP'D
59.5	220	9-1827253-9		
59.5	220	9-1827253-8		
59.5	220	9-1827253-7		
59.5	220	9-1827253-6		
59.5	220	4-1827253-8		
59.5	220	4-1827253-6		
59.5	220	3-1827253-6		
G	POS.	PART NO.		

THIS DRAWING IS A CONTROLLED DOCUMENT.

DIMENSIONS:	MIN	OTHERWISE SPECIFIED:	MIN
0 P.L.C.	± 0.25	1 P.L.C.	± 0.15
1 P.L.C.	± 0.15	2 P.L.C.	± 0.10
2 P.L.C.	± 0.10	3 P.L.C.	± 0.0250
3 P.L.C.	± 0.0250	4 P.L.C.	± 3°
4 P.L.C.	± 3°		

APPROVED: _____

PRODUCT SPEC: _____

APPLICATION SPEC: _____

WEIGHT: _____

CUSTOMER DRAWING: _____

SCALE: 4:1 SHEET 5 OF 5 REV D3

STE TE Connectivity Ltd.

ASSEMBLY

FH 0.5 BTB CONNECTOR 220POS

PLUG 5H WITH GROUND PLATE

SIZE: A3 CAGE CODE: 1827253 DRAWING NO: 1827253