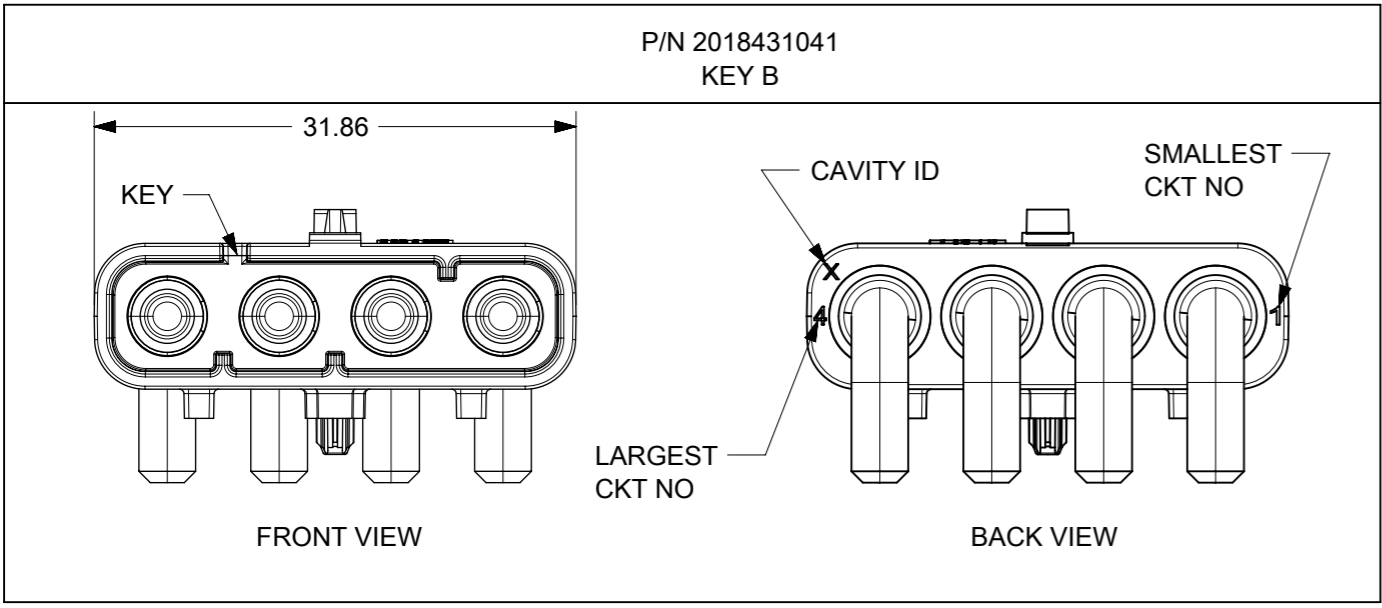
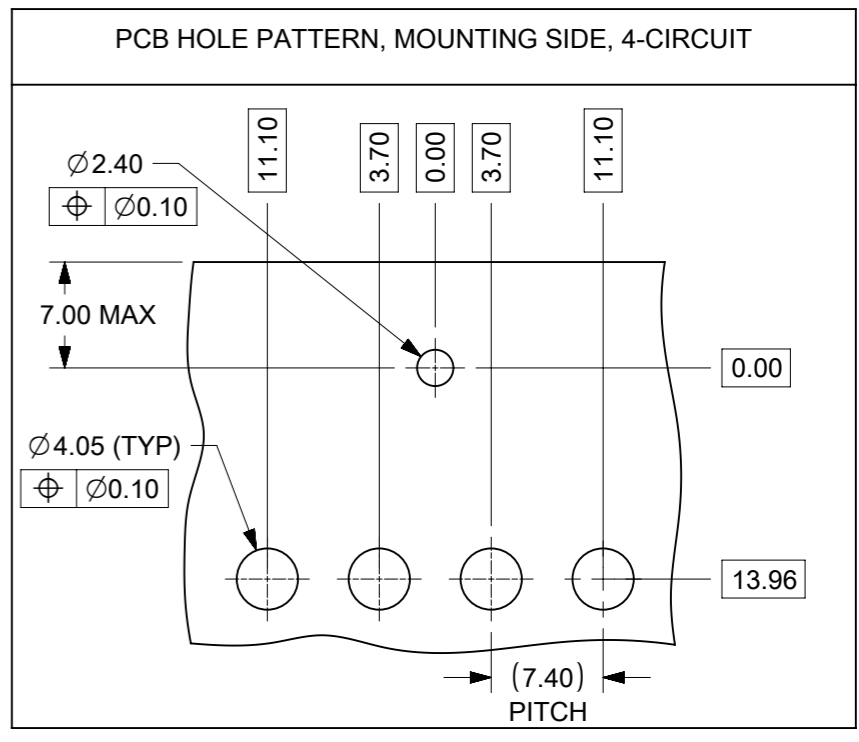
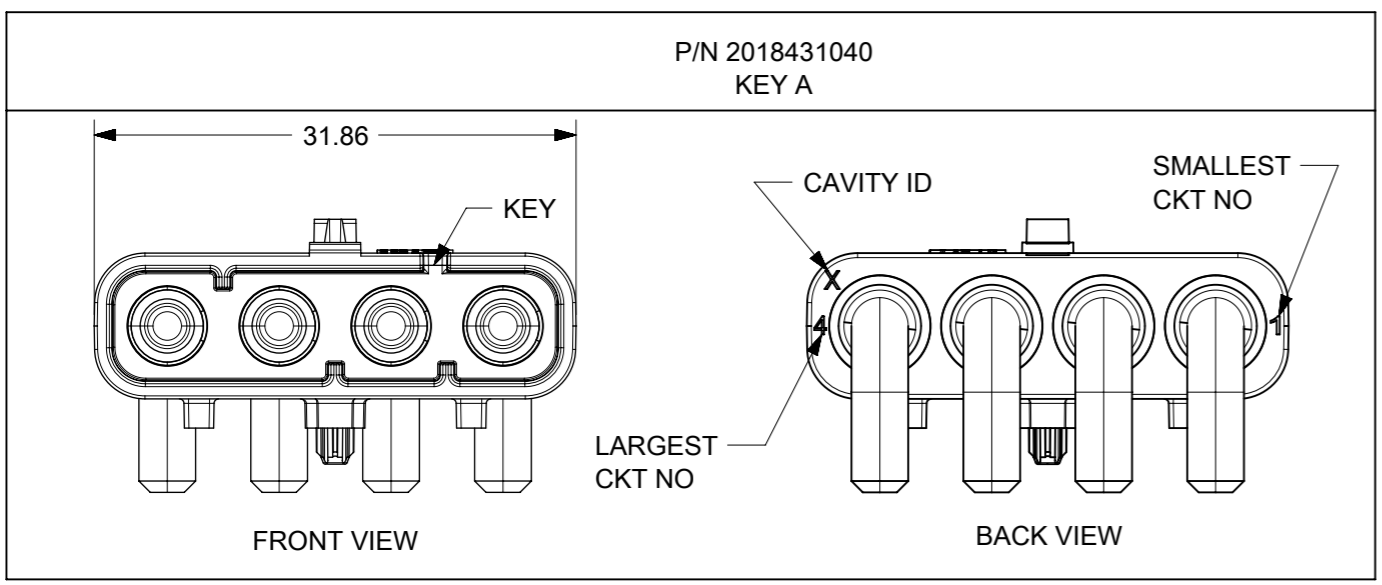
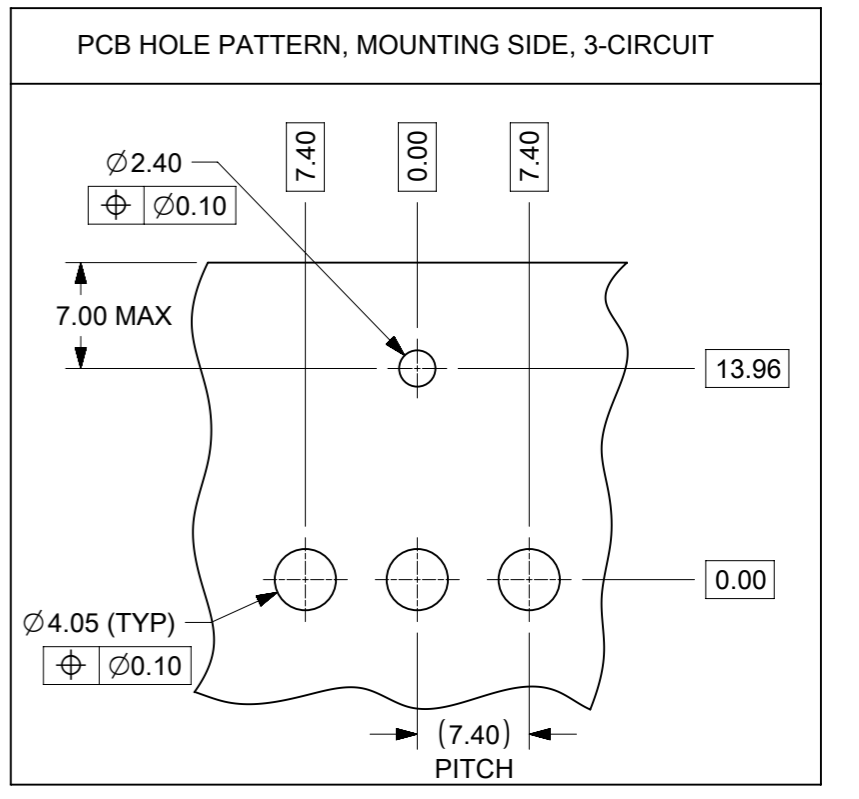
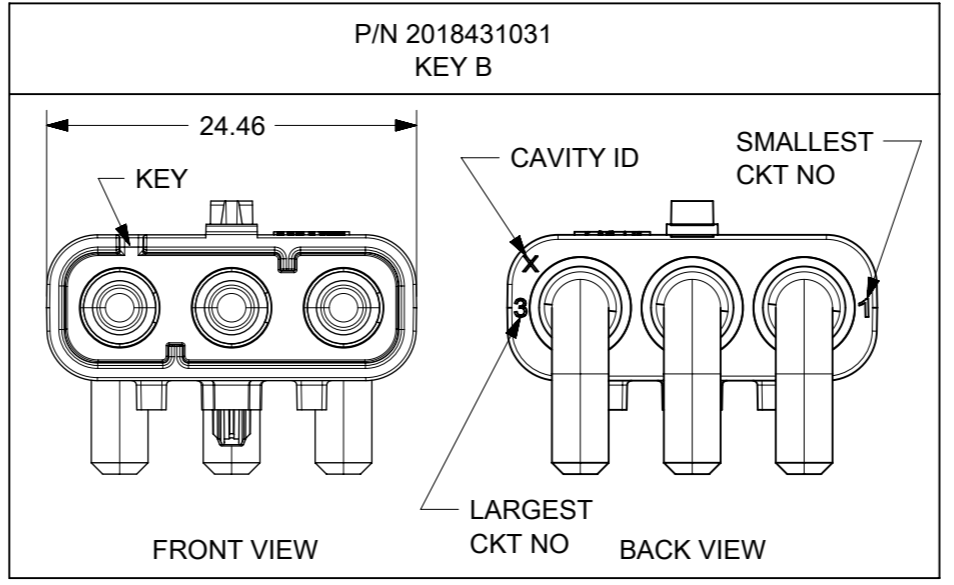
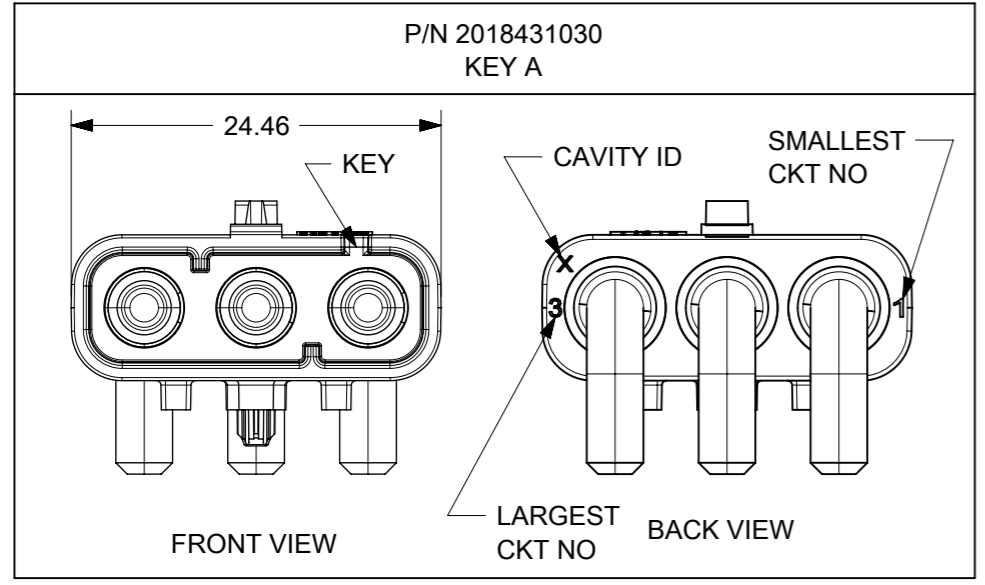


P/N 2018431030
KEY A

- NOTES:
1. APPLICATION SPECIFICATION SEE: 2018400000-AS
 2. PRODUCT SPECIFICATION SEE: 2018400000-PS
 3. HOUSING MATERIAL: PEI, UL RATED 94V-0: COLOR: SEE TABLE
 4. MATES WITH RECEPTACLE HOUSING SERIES 201841
 5. TERMINAL MATERIAL : Cu ALLOY
 6. PLATING:
MATING AREA : 0.1µm MIN Au over Ni
TERMINATION AREA: 5µm MIN Sn OVER Ni
 7. SOLDERABILITY PER SMES-152
 8. PACKAGING SPECIFICATION: 2018420000-PK
 9. COSMETIC SPECIFICATION PS-45499-002 (CLASS B)

THIS DRAWING CONTAINS INFORMATION THAT IS PROPRIETARY TO MOLEX ELECTRONIC TECHNOLOGIES, LLC AND SHOULD NOT BE USED WITHOUT WRITTEN PERMISSION										
DIMENSION UNITS	SCALE	CURRENT REV DESC: ADDED BACK VIEWS.								
mm	2:1									
GENERAL TOLERANCES (UNLESS SPECIFIED)		EC NO: 620631					MULTICAT RA HDR ASSY WTB IN-LINE			
ANGULAR TOL ± °		DRWN: MKP 2019/06/25								
4 PLACES ±		CHK'D: NMANE02 2019/07/15					PRODUCT CUSTOMER DRAWING			
3 PLACES ± 0.05		APPR: MRAMAKRISHNA 2019/07/15								
2 PLACES ± 0.1		INITIAL REVISION:					DOCUMENT NUMBER: 2018430000-SD DOC TYPE: PSD DOC PART: 000 REVISION: C			
1 PLACE ± 0.2		DRWN: RMV02 2016/11/22								
0 PLACES ±		APPR: KPRASAD 2017/02/08								
DRAFT WHERE APPLICABLE MUST REMAIN WITHIN DIMENSIONS		THIRD ANGLE PROJECTION	DRAWING	SERIES	MATERIAL NUMBER	CUSTOMER	SHEET NUMBER			
			A3-SIZE	201843	SEE SHEET 2	GENERAL MARKET	1 OF 2			

NO.	ASSEMBLY		HOUSING
	PART NUMBER	DESCRIPTION	COLOR
1	2018431030	MULTICAT RA HDR ASSY 1X3 KEY A	BLACK
2	2018431031	MULTICAT RA HDR ASSY 1X3 KEY B	GRAY
3	2018431040	MULTICAT RA HDR ASSY 1X4 KEY A	BLACK
4	2018431041	MULTICAT RA HDR ASSY 1X4 KEY B	GRAY



THIS DRAWING CONTAINS INFORMATION THAT IS PROPRIETARY TO MOLEX ELECTRONIC TECHNOLOGIES, LLC AND SHOULD NOT BE USED WITHOUT WRITTEN PERMISSION		CURRENT REV DESC: ADDED BACK VIEWS.		molex	
DIMENSION UNITS	SCALE				
mm	2:1			MULTICAT RA HDR ASSY WTB IN-LINE	
GENERAL TOLERANCES (UNLESS SPECIFIED)				PRODUCT CUSTOMER DRAWING	
ANGULAR TOL	±	°		DOCUMENT NUMBER	
4 PLACES	±			2018430000-SD	
3 PLACES	±	0.05		DOC TYPE	
2 PLACES	±	0.1		PSD	
1 PLACE	±	0.2		DOC PART	
0 PLACES	±			000	
DRAFT WHERE APPLICABLE MUST REMAIN WITHIN DIMENSIONS		THIRD ANGLE PROJECTION	DRAWING	SERIES	MATERIAL NUMBER
			A3-SIZE	201843	CUSTOMER
					GENERAL MARKET
					SHEET NUMBER
					2 OF 2