

6

5

4

3

2

1

E

E

D

D

C

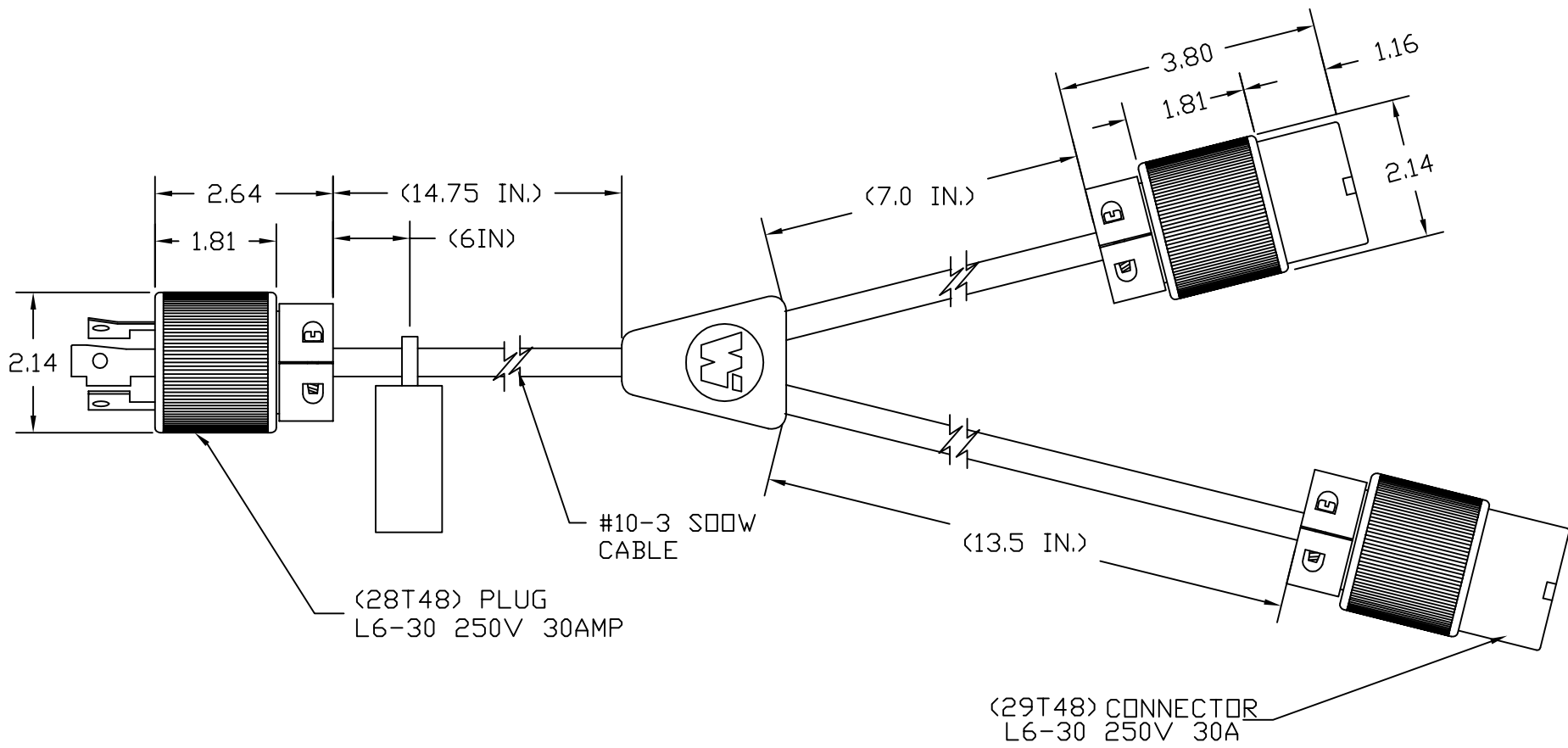
C

B

B

A

A



QUOTE #SPR6426	MATERIAL# 1301540109
CUSTOMER APPROVAL SIGNATURE & DATE	
SIGNATURE	DATE

CUSTOMER DRAWING	EC NO: WNA2009-0287	DRWN: HKNEELAN 2008/10/27	CHKD: HK 2008/10/27	APPR: DTTUS 2009/02/13
	DESCRIPTION			
	QUALITY SYMBOLS	=0		
		=0		

GENERAL TOLERANCES (UNLESS SPECIFIED)		
	mm	INCH
4 PLACES	±---	±---
3 PLACES	±---	±.005
2 PLACES	±---	±.010
1 PLACE	±---	±.020
ANGULAR ±.5°		
DRAFT WHERE APPLICABLE MUST REMAIN WITHIN DIMENSIONS		

DIMENSION STYLE INCH	
DRAWN BY	DATE
HKNEELAN	2008/10/27
CHECKED BY	DATE
PH	2008/10/27
APPROVED BY	DATE
HK	2008/10/27
MATERIAL NO.	1301540109
SIZE	A

SCALE NTS	DESIGN UNITS INCH	THIRD ANGLE PROJECTION
TITLE		
MOLED-Y SPLICE NEMA L6-30 PGL & CONN. #10-3 VARIABLE LENGTH		
MOLEX INCORPORATED		
DOCUMENT NO.	SD-130154-002	SHEET NO. 1 OF 1
THIS DRAWING CONTAINS INFORMATION THAT IS PROPRIETARY TO MOLEX INCORPORATED AND SHOULD NOT BE USED WITHOUT WRITTEN PERMISSION		

6

5

4

3

2

1