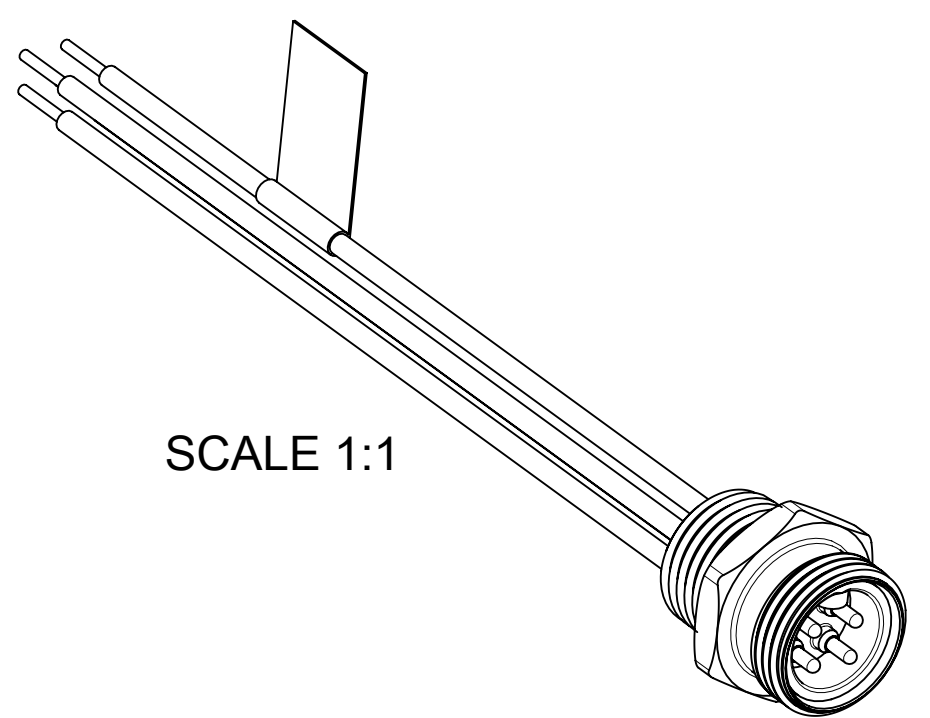
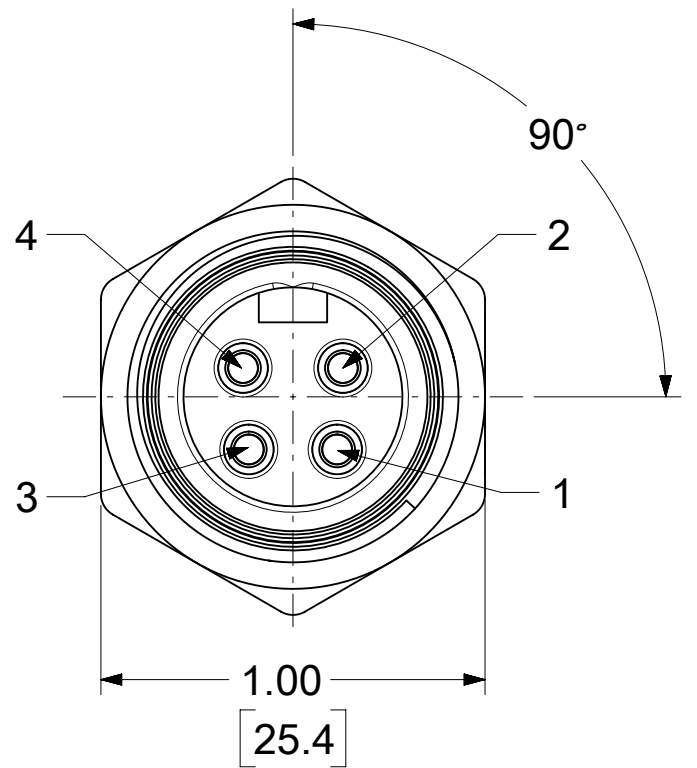
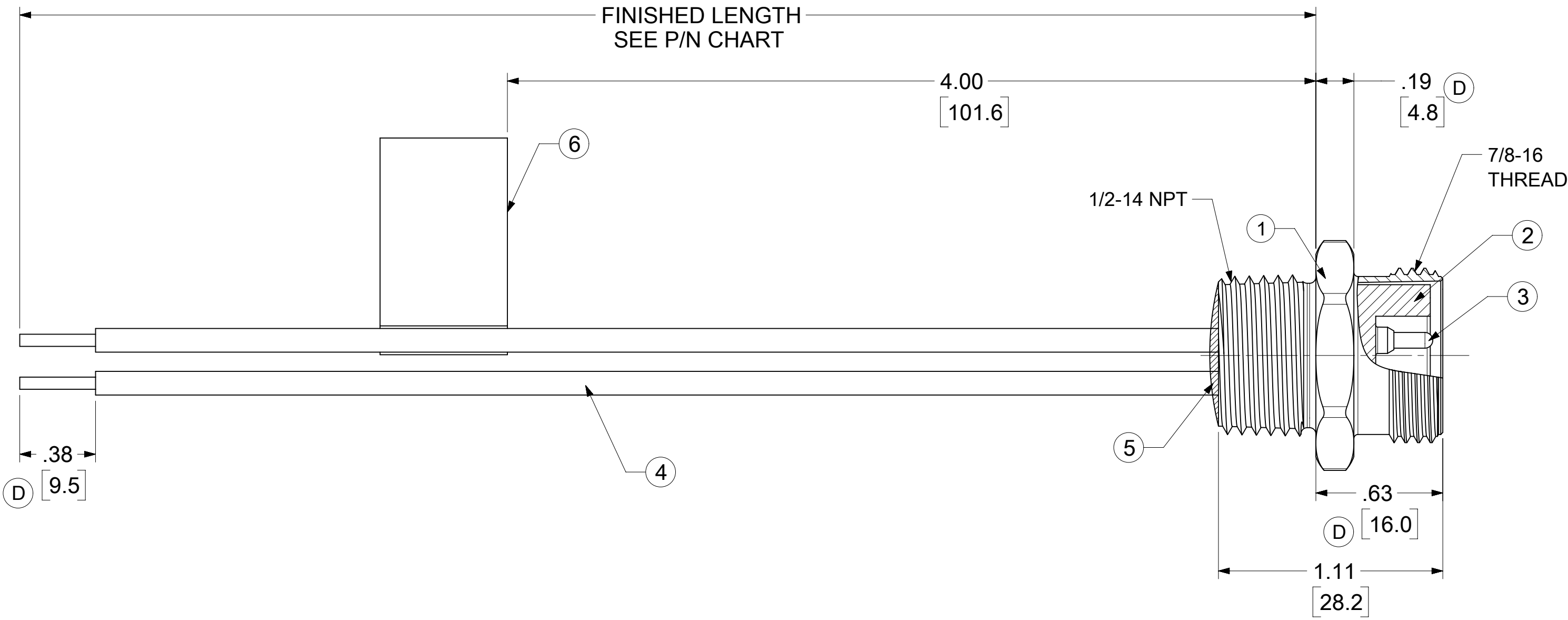


MATERIAL NO.	ENGINEERING NO.	FINISHED LENGTH
1300130376	1R4006A39M005	1 FT 7.7 IN (0.5M)
1300130379	1R4006A39M030	9 FT 10.1 IN (3.0M)
1300130381	1R4006A39M060	19 FT 8.2 IN (6.0M)

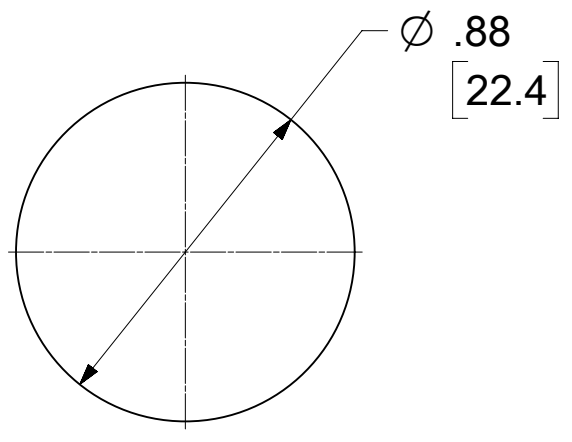
TOLERANCE CHART					
FINISH LENGTH [FT]			FINISH LENGTH [M]		
OVER	UNDER	TOLERANCE [IN]	OVER	UNDER	TOLERANCE [mm]
0.00	.167	N/A	0.0	0.05	NA
.167	.500	+ .63 -0	0.05	0.15	+16 -0
.500	1.00	+ .75 -0	0.15	0.3	+19 -0
1.00	3.00	+1.75 -0	0.3	0.9	+44.5 -0
3.00	6.00	+2.19 -0	0.9	1.8	+55.6 -0
6.00	12.00	+3.50 -0	1.8	3.7	+88.8 -0
12.00	24.00	+6.50 -0	3.7	7.3	+165.1 -0
24.00	48.00	+12.50 -0	7.3	21.9	+317.5 -0
48.00	96.00	+24.50 -0	21.9	29.3	+622.3 -0
96.00	~	+2.00% -0	29.3	~	+2% OF FIN LGTH



SCALE 1:1



- NOTES:
- MATERIAL: AS NOTED
  - FINISH: AS NOTED
  - ELECTRICAL:  
VOLTAGE: 483V PER IEC60664  
600V PER UL2238  
CURRENT: 8A (D)
  - TEMP RATING: -20°C TO +105°C
  - PROTECTION: IP67 (WHEN MATED)
  - UL RECOGNIZED FILE: E152210  
CSA CERTIFIED FILE: LR6837 (D)
  - ALL DIMS ARE FOR REFERENCE UNLESS TOLERANCED OR NOTED OTHERWISE



REF. KNOCKOUT HOLE

**PART NO. MATRIX**  
**1R4006A39M005**

FINISHED LENGTH  
M005 = 0.5 METER  
M010 = 1.0 METER  
M100 = 10.0 METERS

**WIRING DIAGRAM**

BROWN	1
WHITE	2
BLUE	3
BLACK	4

PIN-OUT PER CENELEC COLOR CODE

6	FLAG LABEL	VINYL	BLACK/YELLOW
5	POTTING MATERIAL	EPOXY	
4	WIRE #16 (UL 1015)	PVC INSULATION	SEE FACE VIEW
3	CONTACT PIN	Cu ALLOY	GOLD PLATED
2	INSERT	TPE	YELLOW
1	RECEPTACLE SHELL	ZINC (DIE-CAST)	BLACK
ITEM	DESCRIPTION	MATERIAL	FINISH

FUNCTIONAL SYMBOLS										THIS DRAWING CONTAINS INFORMATION THAT IS PROPRIETARY TO MOLEX ELECTRONIC TECHNOLOGIES, LLC AND SHOULD NOT BE USED WITHOUT WRITTEN PERMISSION													
DIMENSION UNITS					SCALE					CURRENT REV DESC: ITEM 2 WAS PVC. CURRENT, MATERIAL TABLE & TOL CHART MODIFIED. CSA & DIMS ADDED.													
INCH/MM					2:1																		
GENERAL TOLERANCES (UNLESS SPECIFIED)																							
ANGULAR TOL ± 0.5°																							
4 PLACES ±										EC NO: 641453													
3 PLACES ±										DRWN: PDODDAMANEMY 2020/04/07													
2 PLACES ±										CHK'D: RSTONE 2020/07/20													
1 PLACE ± 0.3										APPR: BWOODMAN 2020/07/27													
0 PLACES ±										INITIAL REVISION:													
										DRWN: RSTONE 2009/08/26													
										APPR: JFMURPHY 2009/08/27													
DRAFT WHERE APPLICABLE MUST REMAIN WITHIN DIMENSIONS					THIRD ANGLE PROJECTION					DRAWING SERIES													
					C-SIZE					130013													
DOCUMENT STATUS			P1			RELEASE DATE			2020/07/27 17:35:25			DOCUMENT NUMBER			DOC TYPE			DOC PART			REVISION		
SD-130013-080			PSD			001			D			MATERIAL NUMBER			CUSTOMER			SHEET NUMBER					
SEE TABLE			GENERAL MARKET			1 OF 1																	