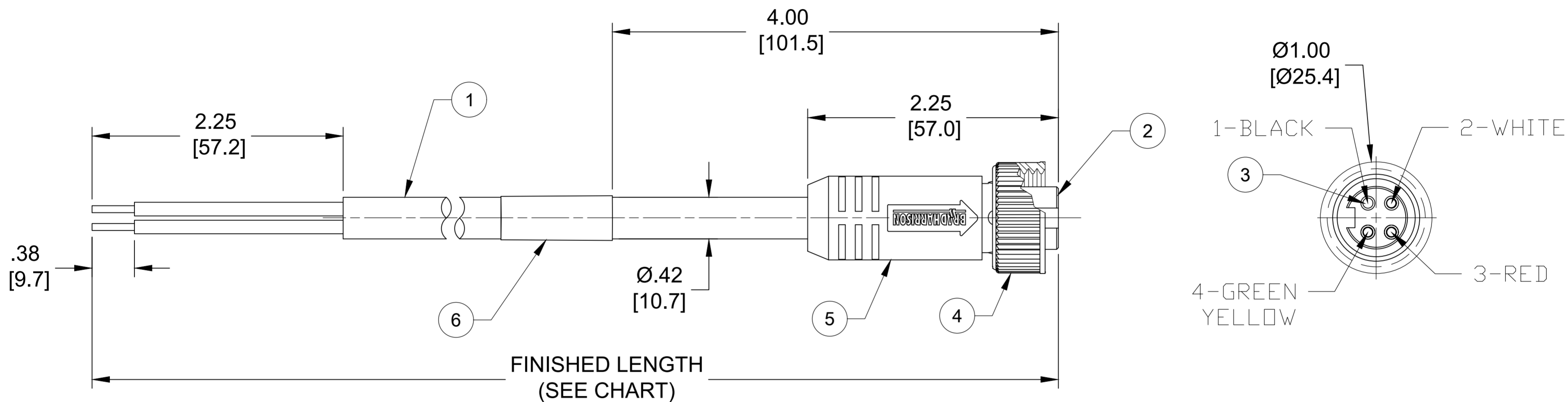


PART NO.	ENGINEERING NO.	FINISHED LENGTH
1300060725	104000A01F030	3.0FT [9.1M]
1300060728	104000A01F060	6.0FT [1.8M]
1300060744	104000A01F200	20.0FT [6.1M]
1300060784	104000A01M100	10M [32FT 10IN]

REF. THIS DRAWING SUPERSEDES SD-130006-010 REV-B (A)

**PART NUMBER LEGEND**

104000A01F030  
 POLE COUNT → FINISHED LENGTH:  
 F010= 1.0 FEET  
 F100= 10.0 FEET  
 M005= 0.5 METER  
 M010= 1.0 METER  
 M100= 10. METER



- NOTES:**
1. MATERIAL: AS NOTED
  2. FINISH: AS NOTED
  3. ELECTRICAL:  
 VOLTAGE: 483V PER IEC60664  
 600V PER UL2238  
 CURRENT: 10A
  4. TEMP RATING: -20°TO +80°C
  5. PROTECTION: IP67 (WHEN MATED)
  6. COUPLING THREAD: 7/8-16UN
  7. UL RECOGNIZED FILE: E152210  
 CSA CERTIFIED FILE: LR6837
  8. ALL DIMS ARE FOR REFERENCE UNLESS TOLERANCED OR NOTED OTHERWISE

**CABLE LENGTH TOLERANCES**

>.3M [1FT]:	+19mm-0 [+0.75in-0]
.3 - .9M [1 - 3FT]:	+44.5mm-0 [+1.75in-0]
.9 - 1.8M [3 - 6FT]:	+55.6mm-0 [+2.19in-0]
1.8 - 3.7M [6 - 12FT]:	+88.9mm-0 [+3.50in-0]
3.7 - 7.3M [12 - 24FT]:	+165.1mm-0 [+6.50in-0]
7.3-14.6M [24 - 48FT]:	+317.5mm-0 [+12.50in-0]
14.6 - 30.5M [48-100FT]:	+622.3mm-0 [+24.50in-0]
OVER 30M [100FT]	+2% OF FINISHED LENGTH

ITEM	DESCRIPTION	MATERIAL	FINISH
6	WRAP LABEL	VINYL	BLACK/YELLOW
5	OVERMOLD	TPE	YELLOW
4	COUPLING NUT, INT. THD	ZINC DIE-CAST	NICKEL PLATED
3	CONTACT SOCKET	COPPER ALLOY	GOLD PLATED
2	FEMALE INSERT	TPE	YELLOW
1	CABLE, 16/4, ST00W	PVC JACKET	YELLOW

SYMBOLS									
▽ = 0	INCH/MM	SCALE	CURRENT REV DESC: REDRAWN, WAS SD-130006-010						
▽ = 0	GENERAL TOLERANCES (UNLESS SPECIFIED)	1:1							
▽ = 0		mm	INCH	EC NO: 624117					
▽ = 0	4 PLACES ±----	±----	±----	DRWN: RSTONE 2019/09/11					
▽ = 0	3 PLACES ±----	±----	±----	CHK'D: MZIELINSKI 2019/09/19					
▽ = 0	2 PLACES ±----	±----	±----	APPR: BWOODMAN 2019/10/03					
▽ = 0	1 PLACE ±----	±----	±----	INITIAL REVISION:					
▽ = 0	0 PLACES ±----	±----	±----	DRWN: RSTONE 2019/09/11					
▽ = 0	ANGULAR TOL ± ---- °			APPR: BWOODMAN 2019/10/03					
▽ = 0	DRAFT WHERE APPLICABLE MUST REMAIN WITHIN DIMENSIONS			THIRD ANGLE PROJECTION	DRAWING	SERIES	MATERIAL NUMBER	CUSTOMER	SHEET NUMBER
▽ = 0					C-SIZE	130006			1 OF 1

**molex**

MINI CHANGE CABLE ASSY, 4P, FEMALE, STR  
 16AWG, ST00W, INTERNAL THREAD

PRODUCT CUSTOMER DRAWING

DOCUMENT NUMBER	DOC TYPE	DOC PART	REVISION
1300060725	PSD	000	A