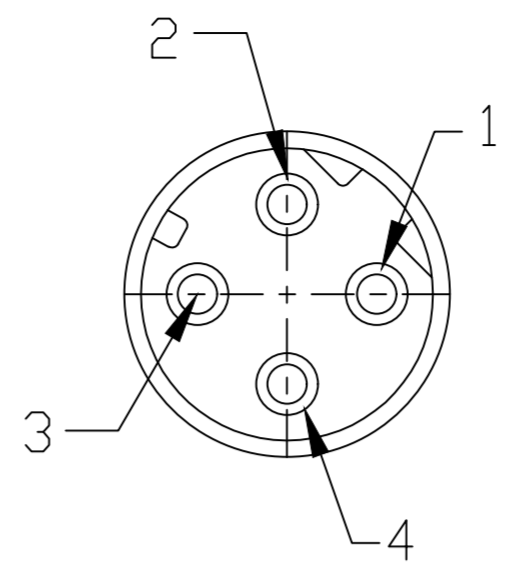


MOLEX PN	ENGINEERING PN	L(mm) + TOL
1300488040	130048-8040	4318 +165
1300488058	130048-8058	1943 +89
1300488061	130048-8061	2770 +89
1300488063	130048-8063	5288 +165
1300488066	130048-8066	9131 +182
1300488067	130048-8067	10396 +207
1300488068	130048-8068	19595 +391
1300488217	130048-8217	2100 +89

(C)



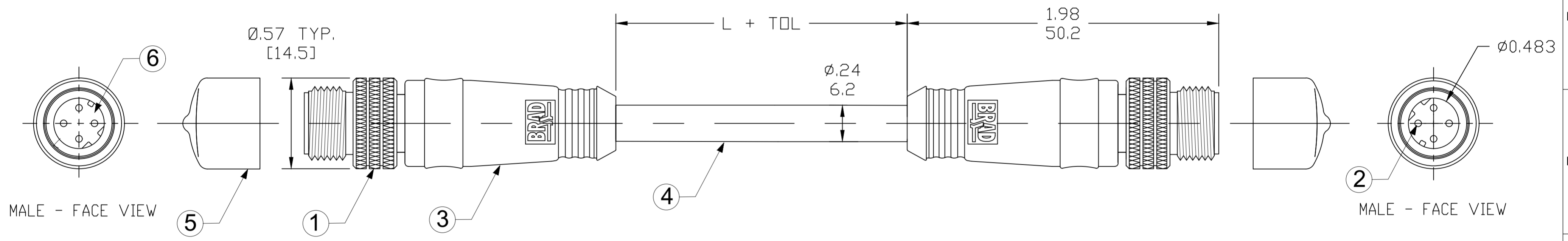
MALE - FACE VIEW
TYPICAL BOTH ENDS

PIN	WIRE COLOR	PIN
1	BLUE	1
2	BLACK	2
3	WHITE	3
4	RED	4
	SHIELD	

COUPLING NUT

COUPLING NUT

WIRE DIAGRAM



MALE - FACE VIEW

MALE - FACE VIEW

NOTES:

1. MATERIAL: SEE TABLE
2. FINISHES: SEE TABLE
3. ELECTRICAL DATA:
VOLTAGE: 30V
CURRENT: 1.5A
4. TEMP RATING: -20°C TO 105°C
5. IP67 WHEN FULLY MATED
6. COUPLING THREADS: M12X1
7. ALL DIMS ARE FOR REFERENCE UNLESS TOLERANCED OR OTHERWISE NOTED.

ITEM	DESCRIPTION	MATERIAL	FINISH
6	INSERT	PUR	BLACK
5	DUST COVER	VINYL	BLACK
4	CABLE 28 AWG , 2PR, SHIELDED	BLACK	PVC
3	OVERMOLD	TPU	BLACK
2	CONTACTS	COPPER ALLOY	GOLD PLATED
1	M12 MALE COUPLING NUT	BRASS	NICKEL PLATED

FUNCTIONAL SYMBOLS	THIS DRAWING CONTAINS INFORMATION THAT IS PROPRIETARY TO MOLEX ELECTRONIC TECHNOLOGIES, LLC AND SHOULD NOT BE USED WITHOUT WRITTEN PERMISSION										
	DIMENSION UNITS		SCALE		CURRENT REV DESC: ADD NEW LENGTH						
	INCH/MM		NTS		<p>molex</p> <p>MICRO-CHANGE SHIELDED CORDSET</p> <p>D-CODE, M12, MALE/MALE</p> <p>PRODUCT CUSTOMER DRAWING</p>						
	GENERAL TOLERANCES (UNLESS SPECIFIED)										
DIVISIONAL SYMBOLS	mm		INCH		EC NO: 701772						
	4 PLACES ±----		±----		DRWN: MZIELINSKI 2022/03/31						
	3 PLACES ±----		±----		CHK'D: MZIELINSKI 2022/03/31						
	2 PLACES ±----		±----		APPR: BWOODMAN 2022/04/05						
1 PLACE ±----				±----		INITIAL REVISION:					
0 PLACES ±----				±----		DRWN: CCHRASTKA 2020/10/13					
ANGULAR TOL ± ---- °				THIRD ANGLE PROJECTION		DRAWING		SERIES		DOCUMENT NUMBER	
DRAFT WHERE APPLICABLE MUST REMAIN WITHIN DIMENSIONS				THIRD ANGLE PROJECTION		DRAWING		SERIES		DOC TYPE/DOC PART/REVISION	
				C-SIZE		130048		1300488040		PSD 000 D	
DOCUMENT STATUS P1				RELEASE DATE 2022/04/05 03:26:03		MATERIAL NUMBER		CUSTOMER		SHEET NUMBER	
						SEE TABLE		GENERAL MARKET		1 OF 1	