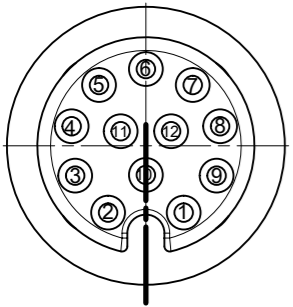


U12 12 POLE FEMALE



VIEW FROM THE FRONT SIDE

| PIN | WIRE COLOR |
|-----|------------|
| 1 | WH |
| 2 | BN |
| 3 | GN |
| 4 | YE |
| 5 | GY |
| 6 | PK |
| 7 | BU |
| 8 | RD |
| 9 | BK |
| 10 | VT |
| 11 | GY/PK |
| 12 | RD/BU |

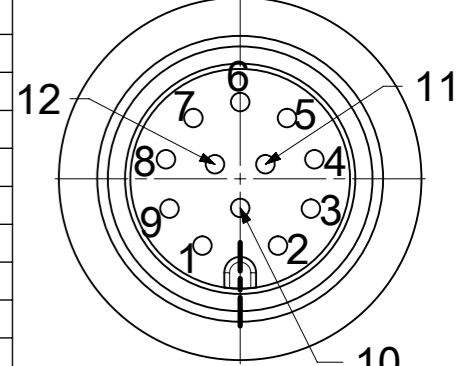
SHIELD CONNECTED TO THE HOUSING

PART No. MATRIX

W W C S 3 0 X X X X X X X X

WW = ULTRA-LOCK ON BOTH SIDE
HEAD STYLE: 030 = SHIELDED MALE STR TO FEMALE STR
Poles: C = 12 Poles
Cable: P45 TYPE
Units: M = Meter, C = Centimeter
Length Examples: 005 = 0.5 m, 010 = 1 m, 050 = 5 m, 100 = 10 m
Molding color: Blank = YELLOW, G = BLACK, Nut Material: Blank = Standard, 7 = Teflon

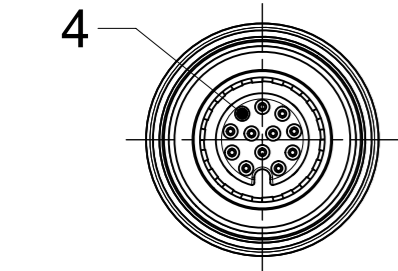
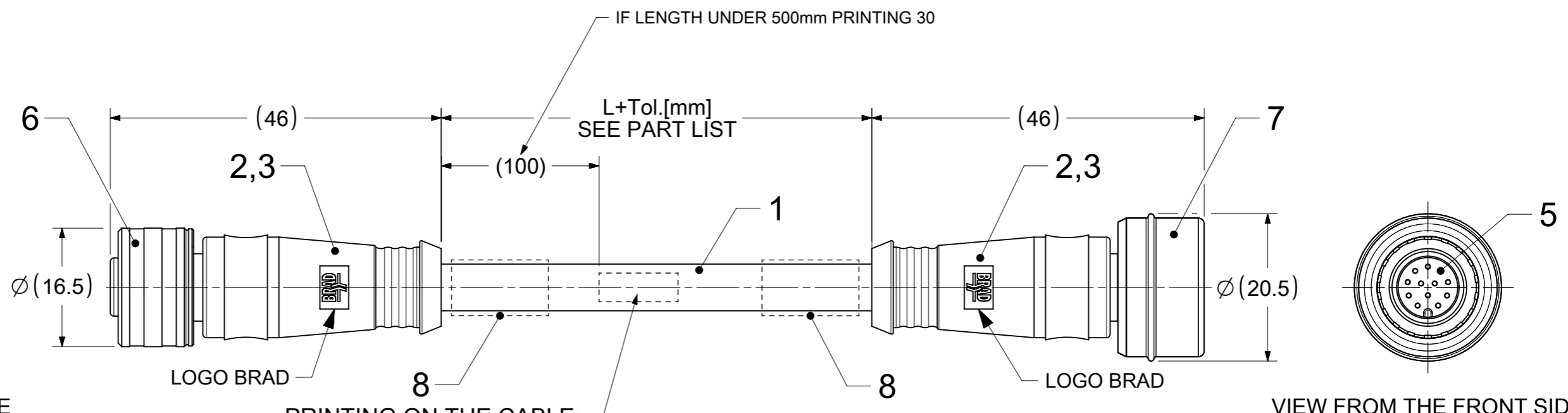
U12 12 POLE MALE



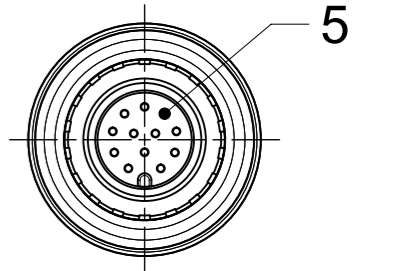
VIEW FROM THE FRONT SIDE

| PIN | WIRE COLOR |
|-----|------------|
| 1 | WH |
| 2 | BN |
| 3 | GN |
| 4 | YE |
| 5 | GY |
| 6 | PK |
| 7 | BU |
| 8 | RD |
| 9 | BK |
| 10 | VT |
| 11 | GY/PK |
| 12 | RD/BU |

SHIELD CONNECTED TO THE HOUSING



VIEW FROM THE FRONT SIDE



VIEW FROM THE FRONT SIDE

PART LIST

| MOLEX PN | ENGINEERING No | OVERMOULD | L+Tol. [mm] |
|------------|----------------|-----------|-------------|
| 1200835020 | WWCS30P45M020 | YELLOW | 2000 +89 |
| 1200835022 | WWCS30P45M050 | YELLOW | 5000 +165 |
| 1200835044 | WWCS30P45M010 | YELLOW | 1000 +56 |
| 1200835386 | WWCS30P45M100 | YELLOW | 10000 +317 |
| 1200210006 | WWCS30P45M030G | BLACK | 3000 +89 |
| 1200835045 | WWCS30P45M010G | BLACK | 1000 +56 |
| 1200835293 | WWCS30P45M020G | BLACK | 20000 +610 |

BOM

| ITEM | QTY. | DESCRIPTION | MATERIAL | COLOR/FINISH |
|------|------|---------------------------|----------|-------------------|
| 8 | 2 | I/D CARRIER | - | - |
| 7 | 1 | MALE ULTRALOCK ASSEMBLY | - | - |
| 6 | 1 | FEMALE ULTRALOCK ASSEMBLY | - | - |
| 5 | 12 | MALE CONTACT | BRASS | Au OVER Ni-PLATED |
| 4 | 12 | EMALE CONTACT | BRASS | Au OVER Ni-PLATED |
| 3 | 1 | SLEEVE SHIELD | BRASS | Ni-PLATED |
| 2 | - | OVERMOULD | TPU | BLACK/YELLOW |
| 1 | - | CABLE | PUR | BLACK |
| ITEM | QTY. | DESCRIPTION | MATERIAL | COLOR/FINISH |

| | | | | |
|-----------------|----|--------------|------------|----------|
| DOCUMENT STATUS | P1 | RELEASE DATE | 2022/04/22 | 06:35:54 |
|-----------------|----|--------------|------------|----------|

NOTES :
RATED VOLTAGE : 30V AC/DC
RATED CURRENT : 1.5 Amps
CONTACT RESISTANCE : <5 mOhm
IP RATING : IP67
TEMPERATURE RANGE : -25°C TO +90°C

| | | |
|---|---|--|
| FUNCTIONAL SYMBOLS THIS DRAWING CONTAINS INFORMATION THAT IS PROPRIETARY TO MOLEX ELECTRONIC TECHNOLOGIES, LLC AND SHOULD NOT BE USED WITHOUT WRITTEN PERMISSION DIMENSION UNITS: mm SCALE: 3:2 GENERAL TOLERANCES (UNLESS SPECIFIED): ANGULAR TOL ± 1.0° 4 PLACES ± 3 PLACES ± 2 PLACES ± 0.05 1 PLACE ± 0.3 0 PLACES ± 0.5 DRAFT WHERE APPLICABLE MUST REMAIN WITHIN DIMENSIONS | CURRENT REV DESC: EC NO: 703538 DRWN: SSM CHK'D: RSILLER APPR: RSILLER INITIAL REVISION: DRWN: SSM APPR: RSILLER | |
| | PRODUCT CUSTOMER DRAWING DOCUMENT NUMBER: 1200835045 DOC TYPE: PSD DOC PART: 000 REVISION: A | THIRD ANGLE PROJECTION DRAWING: A3-SIZE SERIES: 120083 MATERIAL NUMBER: SEE PART LIST CUSTOMER: GENERAL MARKET SHEET NUMBER: 1 OF 1 |