

## P/N: 1196961

### Copyright

© 2014, FLIR Systems, Inc.

All rights reserved worldwide. Names and marks appearing herein are either registered trademarks or trademarks of FLIR Systems and/or its subsidiaries. All other trademarks, trade names or company names referenced herein are used for identification only and are the property of their respective owners.

### Document identity

Publ. No.: 1196961

Release: -

Commit: 15419

Language: en-US

Modified: 2014-06-19

Formatted: 2014-06-22

### Corporate Headquarters

FLIR Systems, Inc.

27700 SW Parkway Ave.

Wilsonville, OR 97070

USA

Telephone: +1-503-498-3547

### Website

<http://www.flir.com>

### Customer support

<http://support.flir.com>

### Disclaimer

Specifications subject to change without further notice. Camera models and accessories subject to regional market considerations. License procedures may apply. Products described herein may be subject to US Export Regulations. Please refer to [exportquestions@flir.com](mailto:exportquestions@flir.com) with any questions.



General description	
The 15° lens is a popular lens accessory and provides 1.7x magnification compared to the standard lens. Ideal for small or distant targets such as overhead power lines.	
Imaging and optical data	
Field of view (FOV)	15° × 11.25°
Minimum focus distance	1.2 m (3.93 ft.)
Focal length	30.38 mm (1.2 in.)
Spatial resolution (IFOV)	Depends on the IR resolution of the camera: 1.65 mrad for 160 × 120 pixels 1.32 mrad for 200 × 150 pixels 1.10 mrad for 240 × 180 pixels 0.82 mrad for 320 × 240 pixels
F-number	1.3
Physical data	
Weight	0.092 kg (0.203 lb.), incl. two lens caps
Size (L × D)	24 × 58 mm (1.0 × 2.3 in.)
Shipping information	
<ul style="list-style-type: none"> <li>• Lens</li> <li>• Lens case</li> </ul>	
Packaging, weight	0.35 kg
Packaging, size	175 × 170 × 100 mm
EAN-13	4743254000889
UPC-12	845188000127

### Compatible with the following products

- 62103-1101; FLIR T420 (incl. Wi-Fi)
- 62103-1202; FLIR T420
- 62103-1501; FLIR T420bx (incl. Wi-Fi)
- 62103-1602; FLIR T420bx
- 62103-1301; FLIR T440 (incl. Wi-Fi)
- 62103-1402; FLIR T440

---

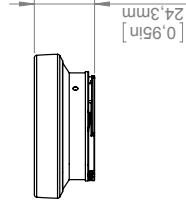
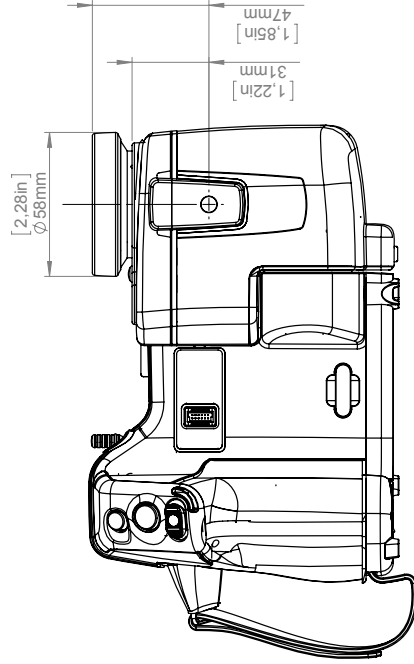
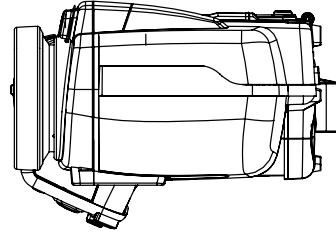
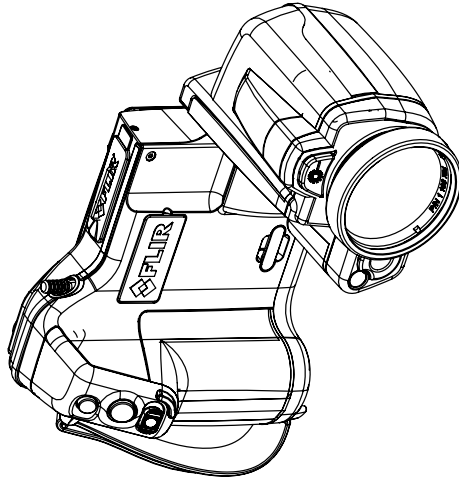
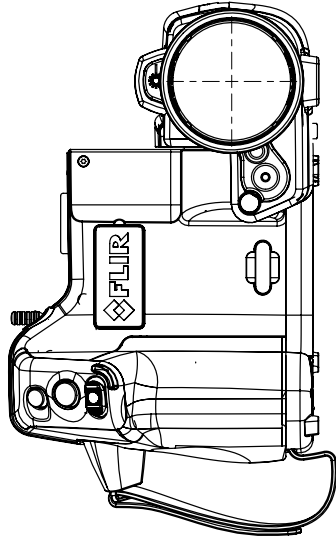
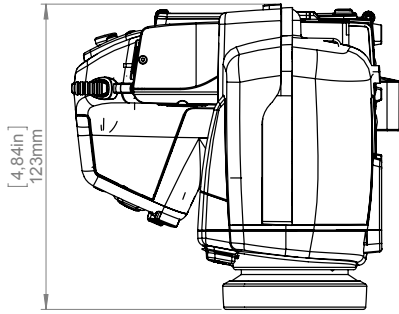
**P/N: 1196961**

© 2014, FLIR Systems, Inc.

#1196961; r. -/15419; en-US

- 62103-1701; FLIR T440bx (incl. Wi-Fi)
- 62103-1802; FLIR T440bx
- 62104-1903; FLIR T450sc (incl. Wi-Fi)
- 62104-2004; FLIR T450sc
- 48201-1001; FLIR A300
- 42701-1001; FLIR A300 (9 Hz)
- 48201-1101; FLIR A310
- 42701-1101; FLIR A310 (9 Hz)
- 48001-1101; FLIR A315
- 42901-1101; FLIR A315 (9 Hz)
- 48201-1201; FLIR A320 Tempscreen
- 42701-1201; FLIR A320 Tempscreen (9 Hz)
- 42901-1001; FLIR A305sc
- 48001-1001; FLIR A325sc
- 64501-0101; FLIR E40 (incl. Wi-Fi)
- 64501-0201; FLIR E50 (incl. Wi-Fi)
- 64501-0702; FLIR E60bx (incl. Wi-Fi)
- 64501-0302; FLIR E60 (incl. Wi-Fi)
- 64501-0402; FLIR E63 (incl. Wi-Fi)
- 64502-0801; FLIR E33
- 64502-1001; FLIR E40
- 64502-1101; FLIR E50
- 64502-1202; FLIR E60

# Camera with Lens IR f=30 mm (15°)



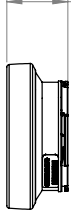
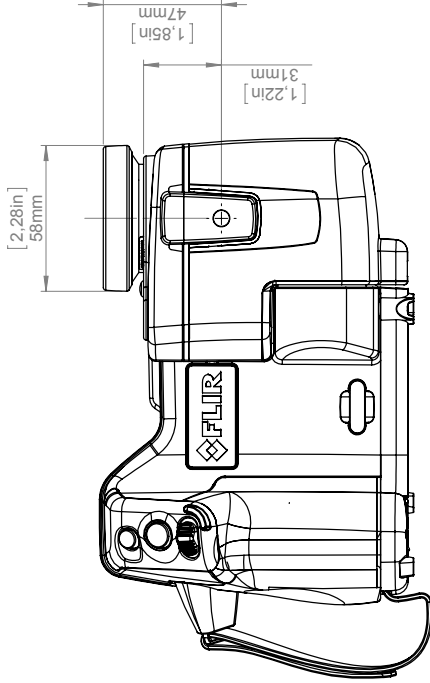
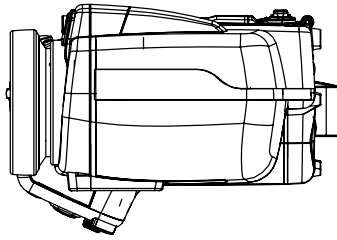
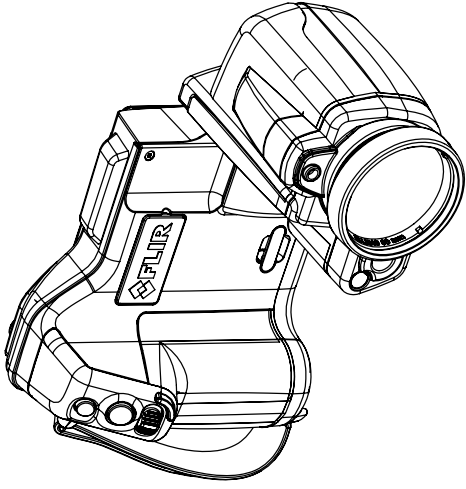
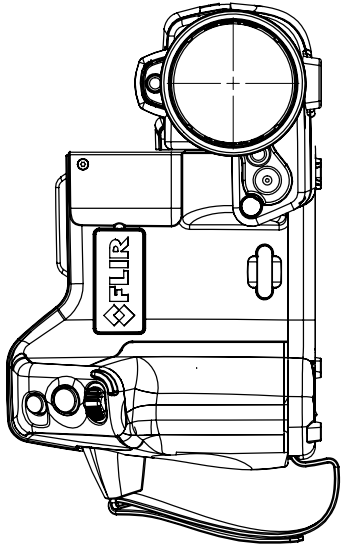
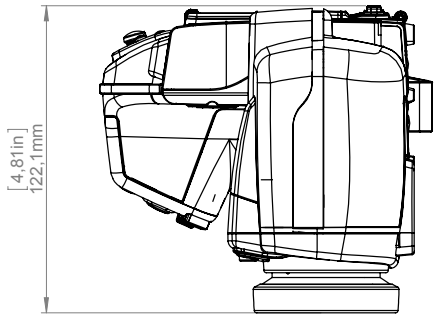
© 2012, FLIR Systems, Inc. All rights reserved worldwide. No part of this drawing may be reproduced, stored in a retrieval system, or transmitted in any form, or by any means, electronic, mechanical, photocopying, recording, or otherwise, without written permission from FLIR Systems, Inc. Specifications subject to change without further notice. Dimensional data is based on nominal values. Products may be subject to regional market considerations. License procedures may apply. Product may be subject to US Export Regulations. Please refer to exportquestions@flir.com with any questions. Diversion contrary to US law is prohibited.

For additional dimensions see page 1

Modified 2012-04-18	Check CAHA	Drawn by R&D Thermography	Size A3	Sheet 4(7)
Denomination Basic dimensions FLIR Txxx/Bxxx			Scale 1:2	Size B
			Drawing No. T197905	



# Camera with Lens IR f=30 mm (15°)



© 2012, FLIR Systems, Inc. All rights reserved worldwide. No part of this drawing may be reproduced, stored in a retrieval system, or transmitted in any form, or by any means, electronic, mechanical, photocopying, recording, or otherwise, without written permission from FLIR Systems, Inc. Specifications subject to change without further notice. Dimensional data is based on nominal values. Products may be subject to regional market considerations. License procedures may apply. Product may be subject to US Export Regulations. Please refer to exportquestions@flir.com with any questions. Diversion contrary to US law is prohibited.

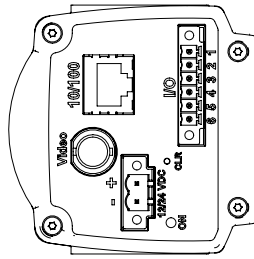
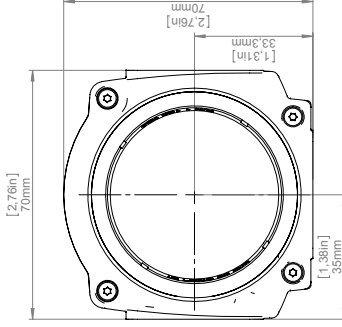
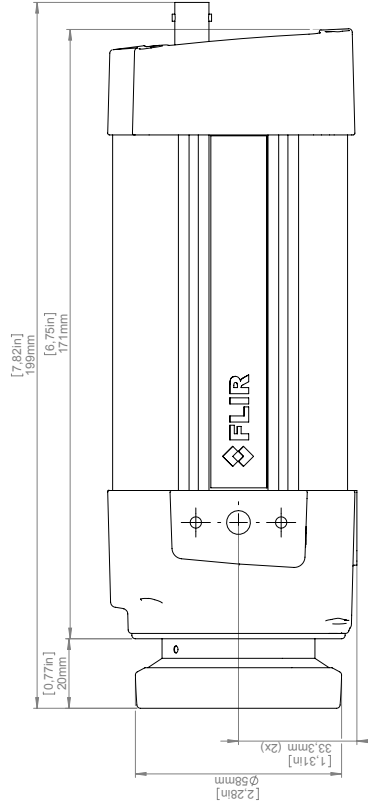
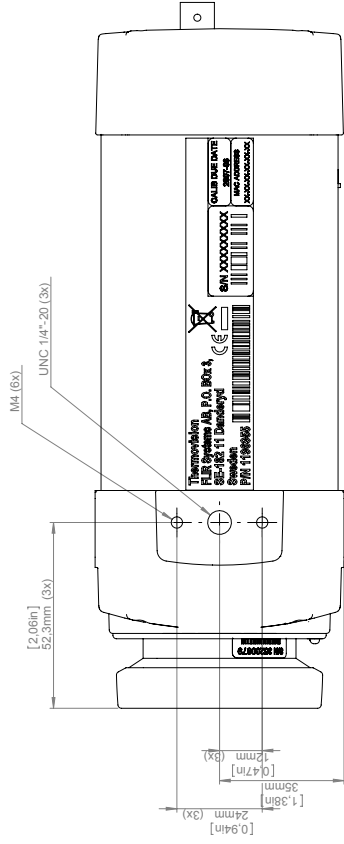
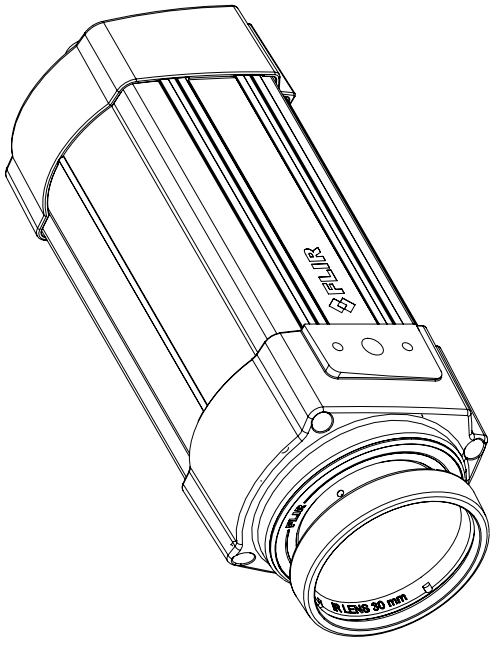


Modified: 2012-06-07  
 Check: JOTA  
 Drawn by: R&D Thermography

Size: A3  
 Scale: 1:2  
 Sheet: 4(7)  
 Drawing No.: T127604  
 Size: A

## Basic Dimensions FLIR T4xx

# Camera with Lens IR f=30 mm (15°)



For additional dimensions see page 1

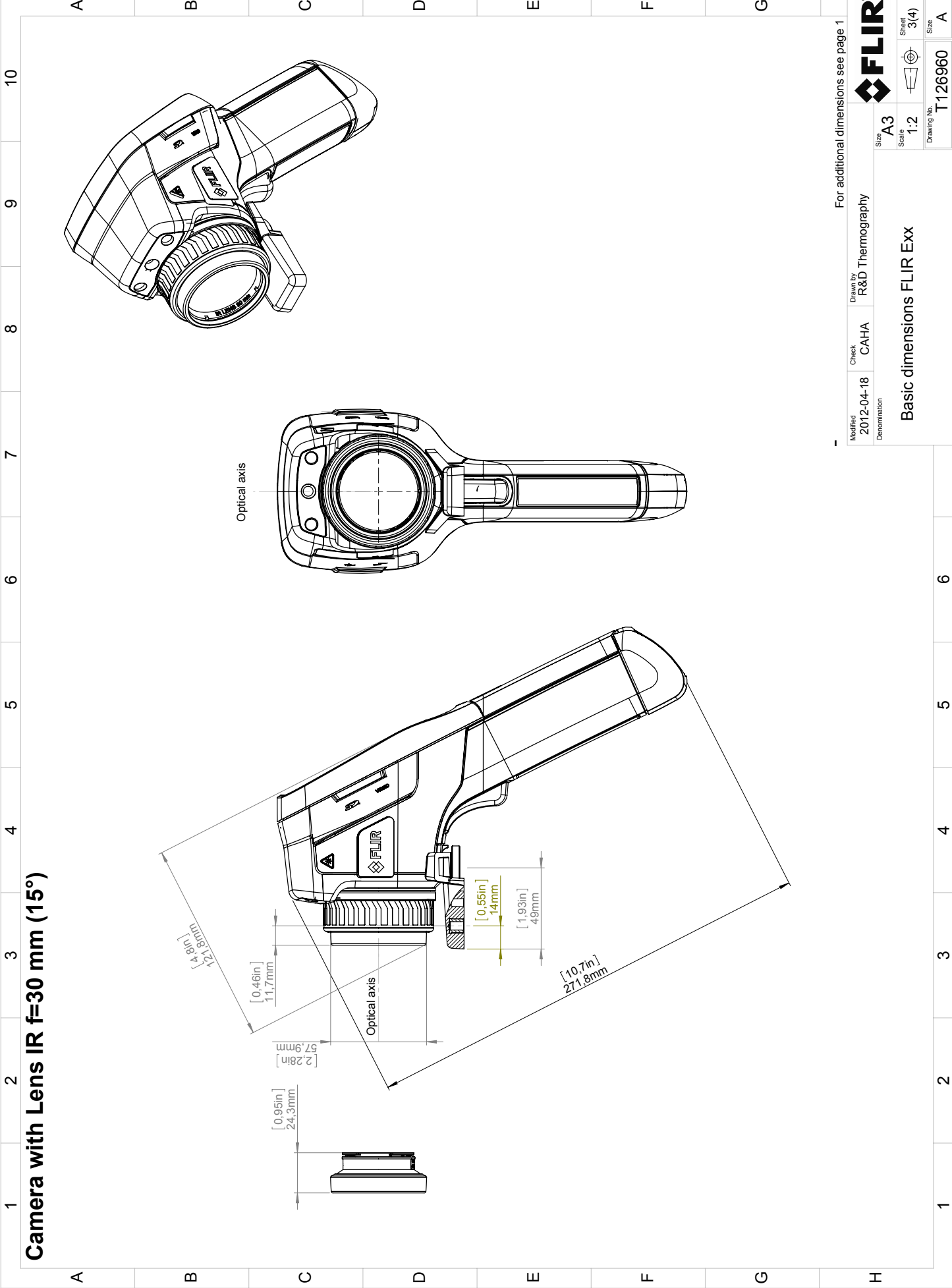
Modified	2012-04-18	Checked	CAHA	Drawn by	R&D Thermography	Size	A3
Drawn by	R&D Thermography	Scale	1:1	Sheet	4(8)	Revision	T-125002
Basic dimensions FLIR A3xx/SC3xx							



© 2012 FLIR Systems, Inc. All rights reserved worldwide. No part of this drawing may be reproduced, stored in a retrieval system, or transmitted in any form, or by any means, electronic, mechanical, photocopying, recording, or otherwise, without the prior written permission of FLIR Systems, Inc. Specifications subject to change without further notice. Dimensional data is based on nominal values. Products may be subject to regional market considerations. License procedures may apply. Product may be subject to US Export Regulations. Please refer to exportquestions@flir.com with any questions. Division contrary to law is prohibited.

# Camera with Lens IR f=30 mm (15°)

© 2012 FLIR Systems, Inc. All rights reserved worldwide. No part of this drawing may be reproduced, stored in a retrieval system, or transmitted in any form, or by any means, electronic, mechanical, photocopying, recording, or otherwise, without written permission from FLIR Systems, Inc. Specifications subject to change without further notice. Dimensional data is based on nominal values. Products may be subject to regional market considerations. License procedures may apply. Product may be subject to US Export Regulations. Please refer to exportquestions@flir.com with any questions. Diversion contrary to US law is prohibited.



For additional dimensions see page 1

Modified 2012-04-18	Check CAHA	Drawn by R&D Thermography	Size A3	Sheet 3(4)
Denomination Basic dimensions FLIR Exx			Scale 1:2	Size A
			Drawing No. T126960	

