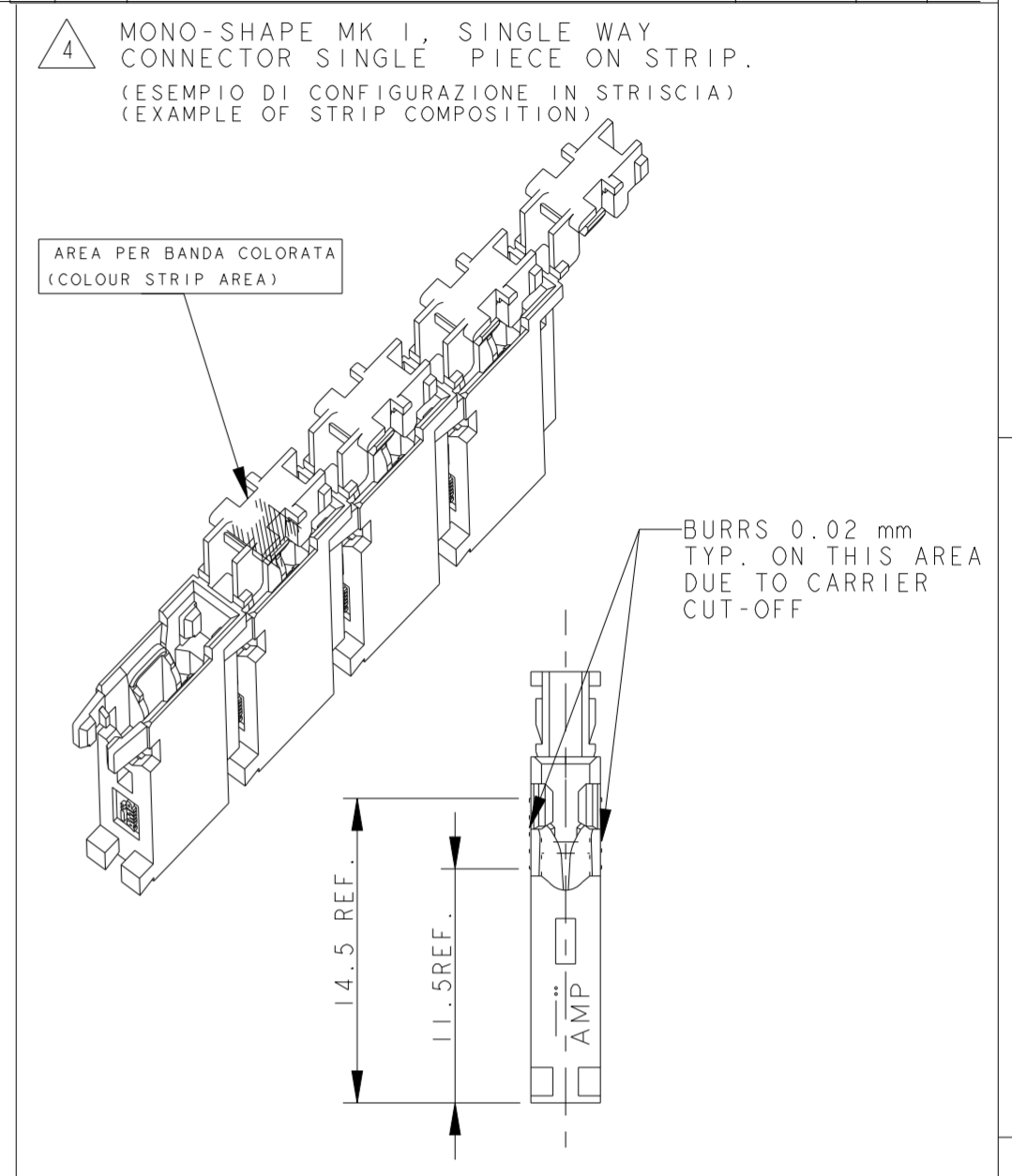
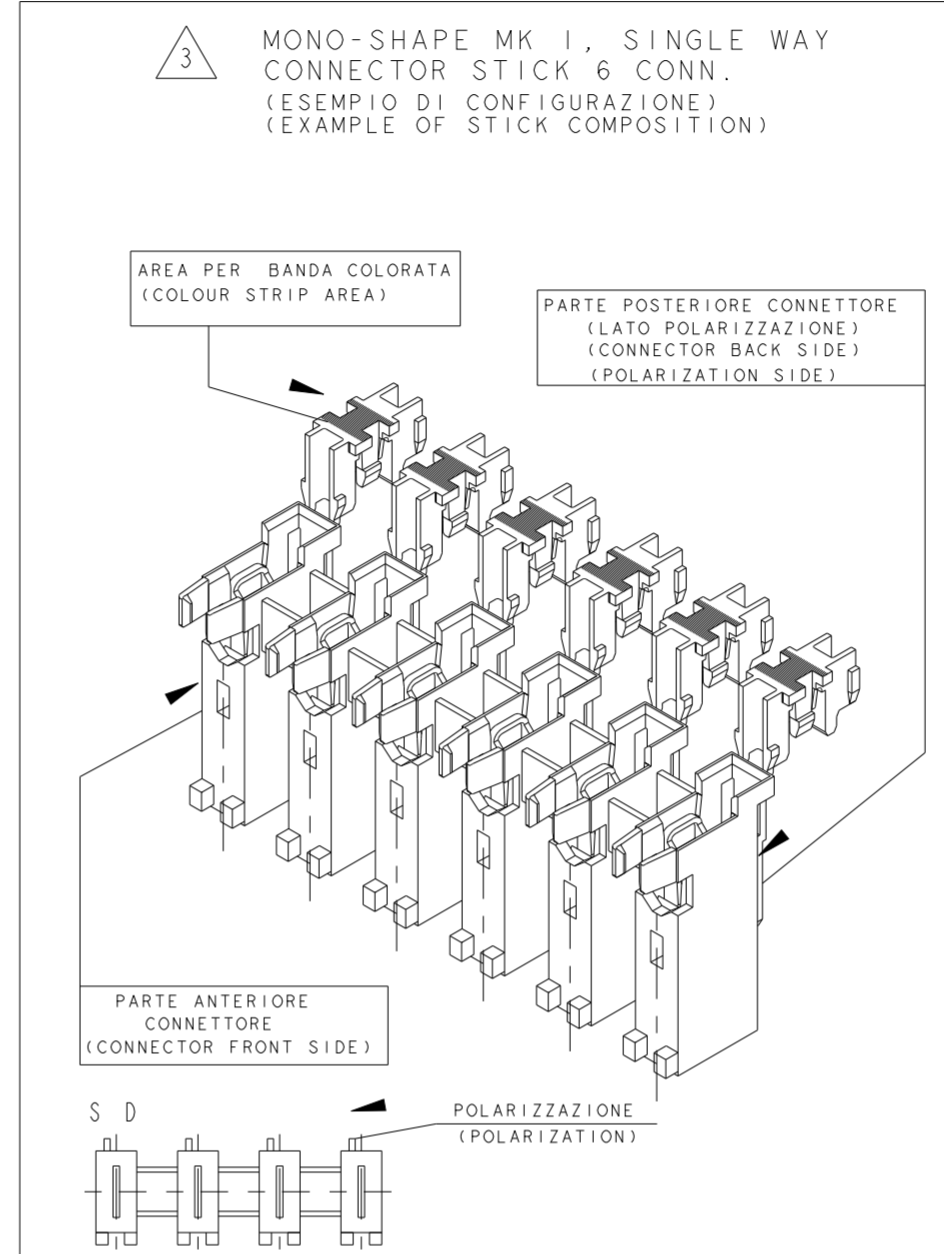
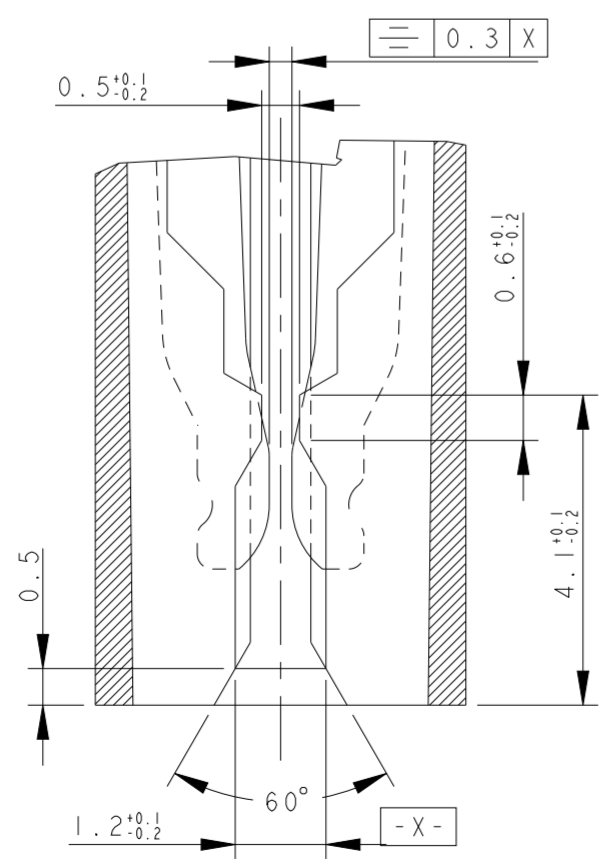
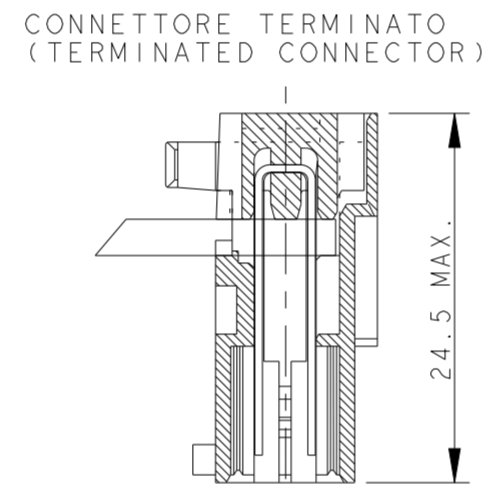
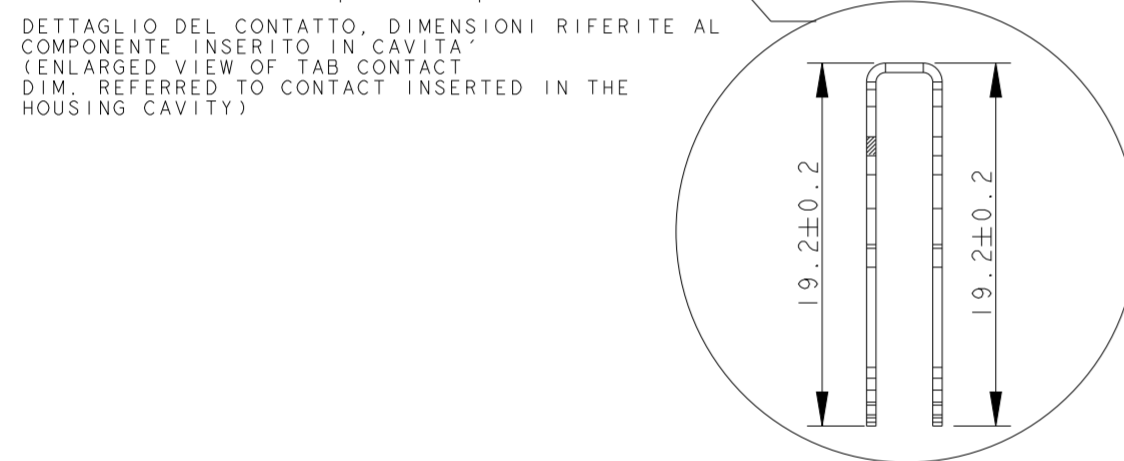
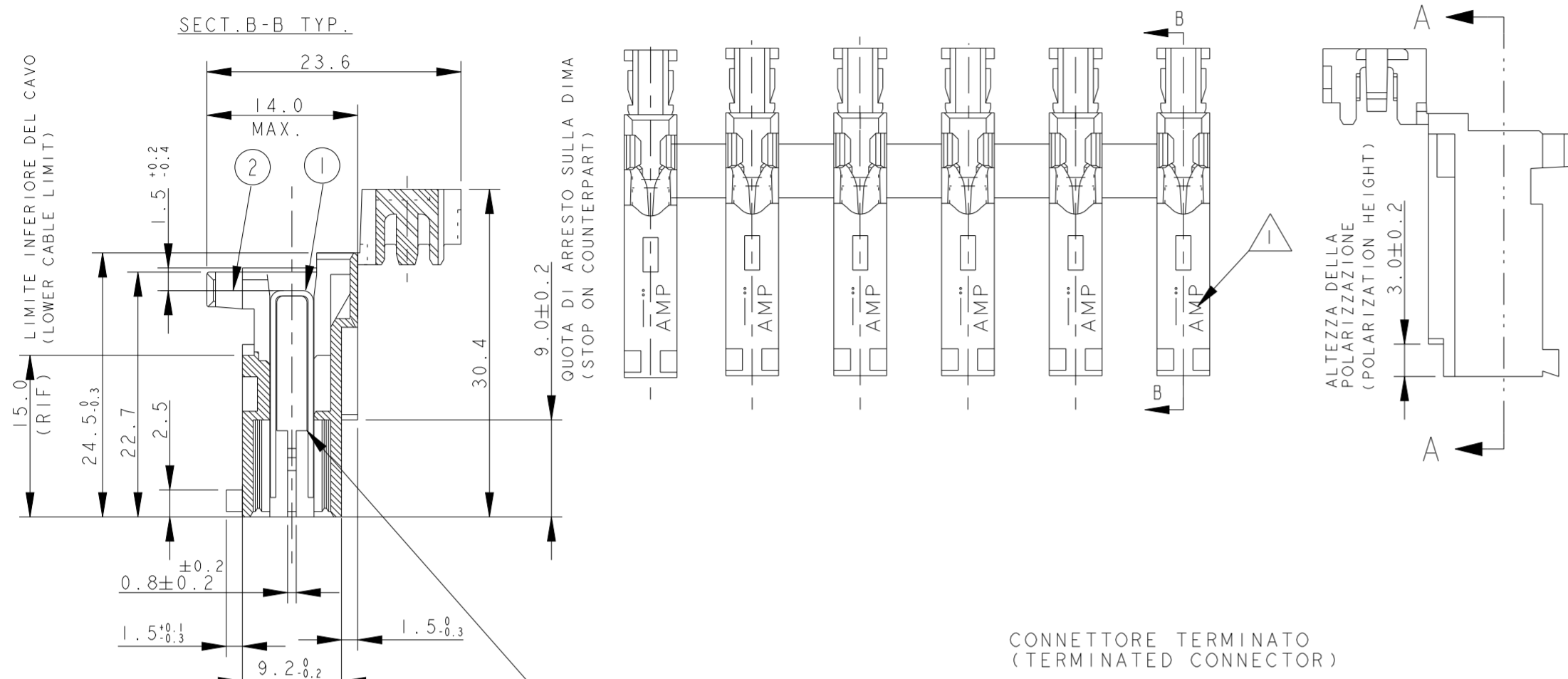
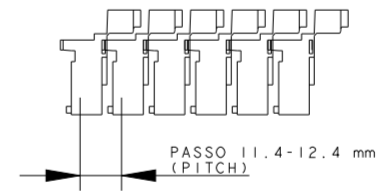


THIS DRAWING IS UNPUBLISHED. RELEASED FOR PUBLICATION 20
 © COPYRIGHT 20 ALL RIGHTS RESERVED.

LOC		DIST		REVISIONS			
P	LTR	DESCRIPTION	DATE	DWN	APVD		
H7	ECR-17-002850		08MAR2017	IZ	RR		
H8	ECR-17-010648		31JUL2017	JP	RR		
H9	ECR-18-007788		22MAY2018	MD	FL		
H10	ECR-21-115913		04OCT2021	SM	FL		



- 1 MARCHIO DI FABBRICA. (TRADEMARK)
- 2 NON ANCORA RILASCIATO IN PRODUZIONE (NOT YET RELEASED FOR PRODUCTION)
- 3 STATO DI FORNITURA: CONFEZIONAMENTO STICK DI 6 CONNETTORI IN VASSOI + SCATOLA (PACKAGING: "6 CONNECTOR STICK VERSION, ON TRAY PLUS CARTON BOX")



- 4 CONFEZIONAMENTO IN STRISCIA DI CONNETTORI SINGOLI IN VASSOI+SCATOLA (PACKAGING: SINGLE CONNECTOR IN STRIP, ON TRAY PLUS CARTON BOX)

- 5) APPROVAZIONE VDE, FILE N. 3905 (VDE APPROVAL, FILE N. 3905)
- 6) PRELIMINARY NOT FOR PRODUCTION

ITEM	DENOMINAZIONE	FINITURA / COLORE (FINISH / COLOUR)	MATERIALE (MATERIAL)	DIAM. ISOLANTE (INS. DIA. RANGE)	RANGO FILO (WIRE RANGE)
2	BLOCCETTO (HOUSING)	NATURALE (NATURAL)	POLIAMIDE 6.6 20%C.vetro (PA 6.6 Glassfiber Filled)	3.0 mm	0.5-1.5 mm ²
1	CONTATTO (CONTACT)	STAGNATO (TIN-PLATED)	OTTONE (BRASS)		

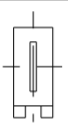
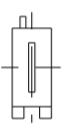
THIS DRAWING IS A CONTROLLED DOCUMENT.

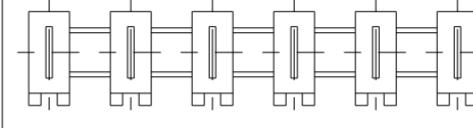
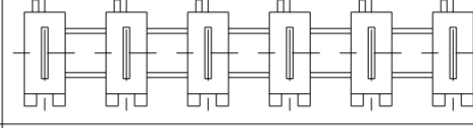
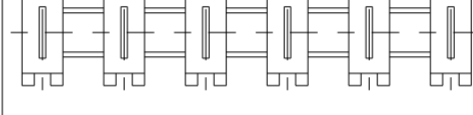
DIMENSIONS: mm	TOLERANCES UNLESS OTHERWISE SPECIFIED:	DWN G. ENDRIZZI 23JULY97	 TE Connectivity	NAME MONO SHAPE MK I SINGLE WAY CONN. ASSEMBLY
		CHK G. VIGNOLI 23JULY97		
		APVD G. TURCO 23JULY97		
		PRODUCT SPEC 108-20065		
MATERIAL	SEE TABLE	FINISH	APPLICAZIONE SPEC 114-20017	SIZE A2
			WEIGHT -	CAGE CODE 0779
			CUSTOMER DRAWING	DRAWING NO. C-282086
				RESTRICTED TO -
				SCALE NO
				SHEET 1 OF 2
				REV H10

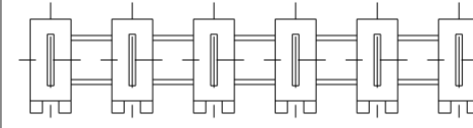
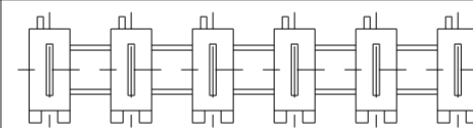
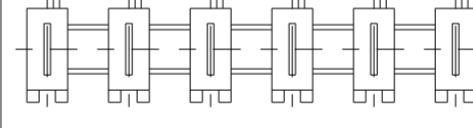
THIS DRAWING IS UNPUBLISHED. RELEASED FOR PUBLICATION 20
 © COPYRIGHT 20 ALL RIGHTS RESERVED.


LOC		DIST		REVISIONS			
P	LTR	SEE SHEET 1	DESCRIPTION	DATE	DWN	APVD	
-	-						


NO. OF POSITION	CONFIGURATION (VIEW FROM THE TOP)	CONNECT. PART NUMBER (STICK VERSION 6 CONN.)	PART REV.	POLARIZ. POSITION BACK SIDE	STRIP COLOR CODE
6 X 1		2293382-1	H	-	-

NO. OF POSITION	CONFIGURATION (VIEW FROM THE TOP)	CONNECT. PART NUMBER (SINGLE PIECE VERSION)	PART REV.	POLARIZ. POSITION BACK SIDE	STRIP COLOR CODE
1		1-2293382-1	1	-	-
1		2-2293382-1	1	IS	-

NO. OF POSITION	CONFIGURATION (VIEW FROM THE TOP)	CONNECT. PART NUMBER (STICK VERSION 6 CONN.)	PART REV.	POLARIZ. POSITION BACK SIDE	STRIP COLOR CODE
6 X 1		4-282086-1	A	-	-
6 X 1		4-282086-2	A	IS	BLACK
6 X 1		4-282086-3	A	ID	ORANGE

NUMERO DI VIE (NO. OF POSITION)	CONFIGURAZIONE (VISTA DALL'ALTO) CONFIGURATION (VIEW FROM THE TOP)	CODICE CONNETTORE (CONNECT. PART NUMBER) VERSIONE IN STICK 6 CONN. (STICK VERSION 6 CONN.)	PART REV.	POSIZIONE POLARIZ. (LATO POSTERIORE) POLARIZ. POSITION BACK SIDE	MARCHIATURA CON BANDA COLORATA STRIP COLOUR CODE
6 X 1		1-282086-1	H	-	-
		1-282086-4	H	-	VERDE (GREEN)
		1-282086-5	H	-	BLU (BLUE)
		1-282086-6	H	-	VIOLA (VIOLET)
6 X 1		1-282086-2	H	IS	NERO (BLACK)
6 X 1		1-282086-3	H	ID	ARANCIO (ORANGE)

NUMERO DI VIE (NO. OF POSITION)	CONFIGURAZIONE (VISTA DALL'ALTO) CONFIGURATION (VIEW FROM THE TOP)	CODICE CONNETTORE (CONNECT. PART NUMBER) VERSIONE PEZZO SINGOLO (SINGLE PIECE VERSION)	PART REV.	POSIZIONE POLARIZ. (LATO POSTERIORE) POLARIZ. POSITION BACK SIDE	MARCHIATURA CON BANDA COLORATA STRIP COLOUR CODE
1		1-282086-7	B	-	-
1		1-282086-8	B	IS	NERO (BLACK)
1		1-282086-9	B	ID	ARANCIO (ORANGE)

THIS DRAWING IS A CONTROLLED DOCUMENT.		DWN G. ENDRIZZI 23JULY97	 TE Connectivity	
DIMENSIONS: mm		CHK G. VIGNOLI 23JULY97		
TOLERANCES UNLESS OTHERWISE SPECIFIED:		APVD G. TURCO 23JULY97		
0 PLC ±.3 1 PLC ± 2 PLC ± 3 PLC ± 4 PLC ± ANGLES ±2 FINISH		PRODUCT SPEC 108-20065 APPLICATION SPEC 114-20017 WEIGHT -		
MATERIAL SEE TABLE		NAME MONO SHAPE MK 1 SINGLE WAY CONN. ASSEMBLY		RESTRICTED TO
SEE TABLE		SCALE NO		SHEET 2 OF 2
SEE TABLE		CUSTOMER DRAWING		REV H10