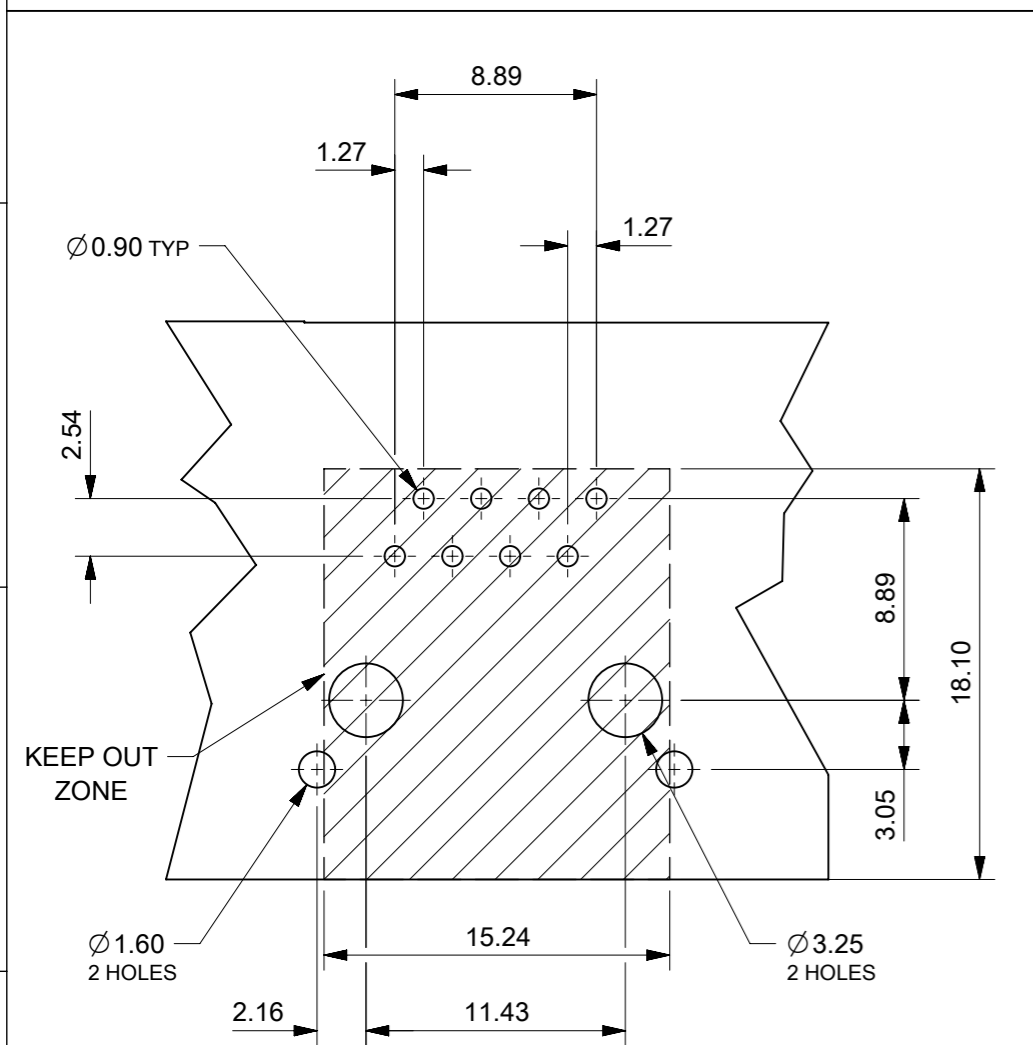
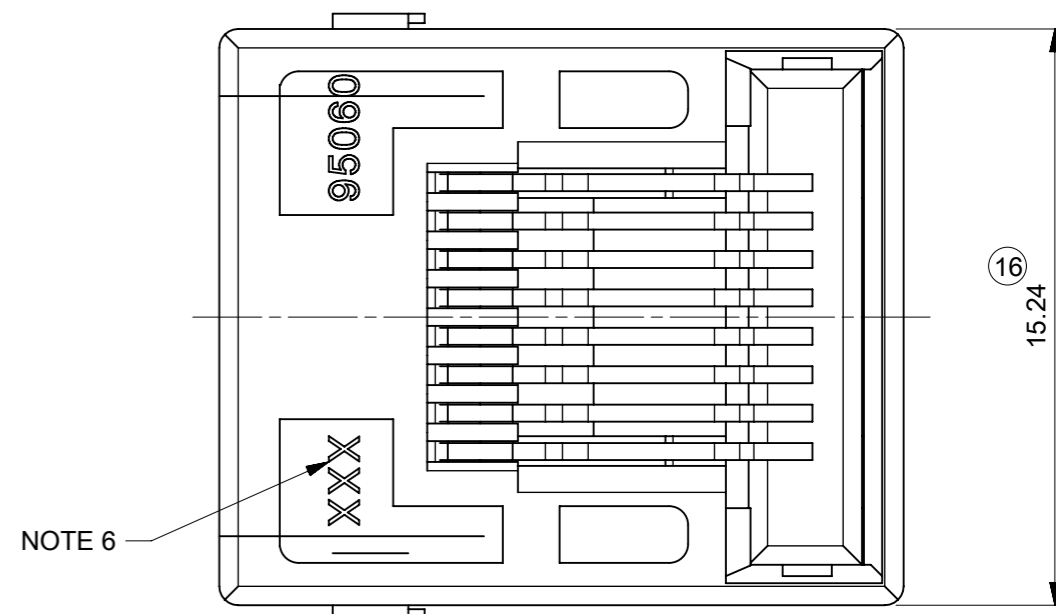


NOTES:

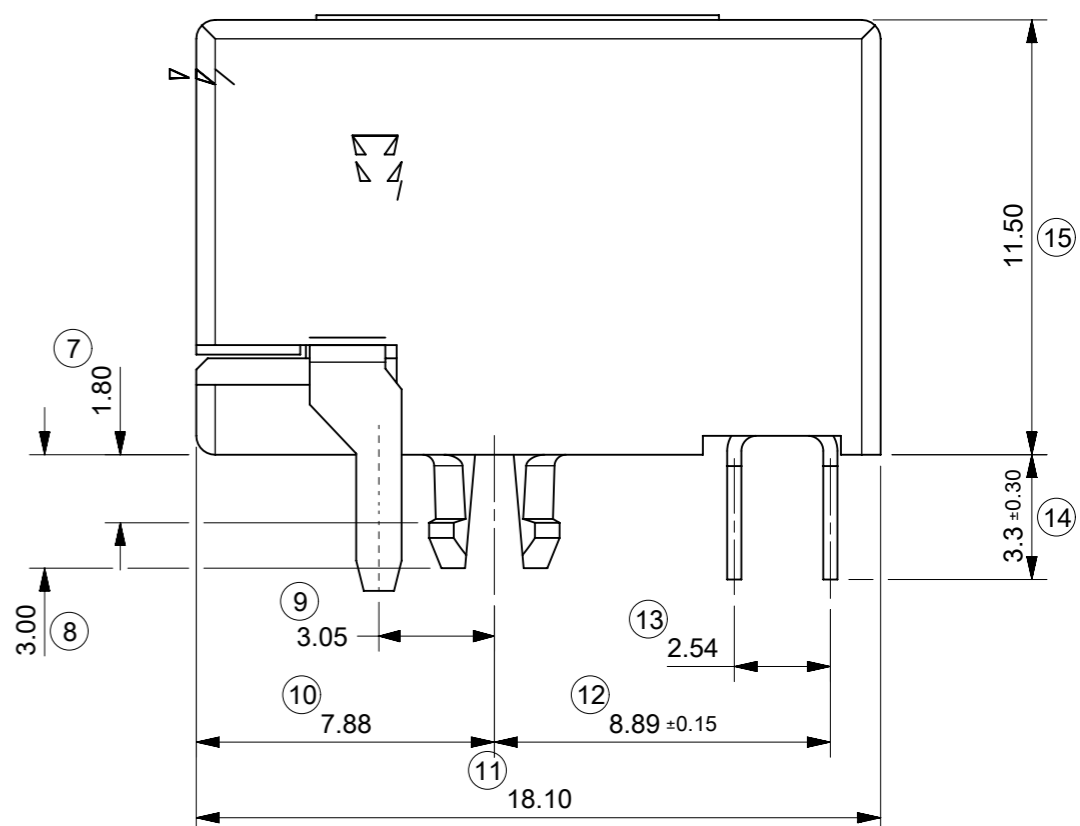
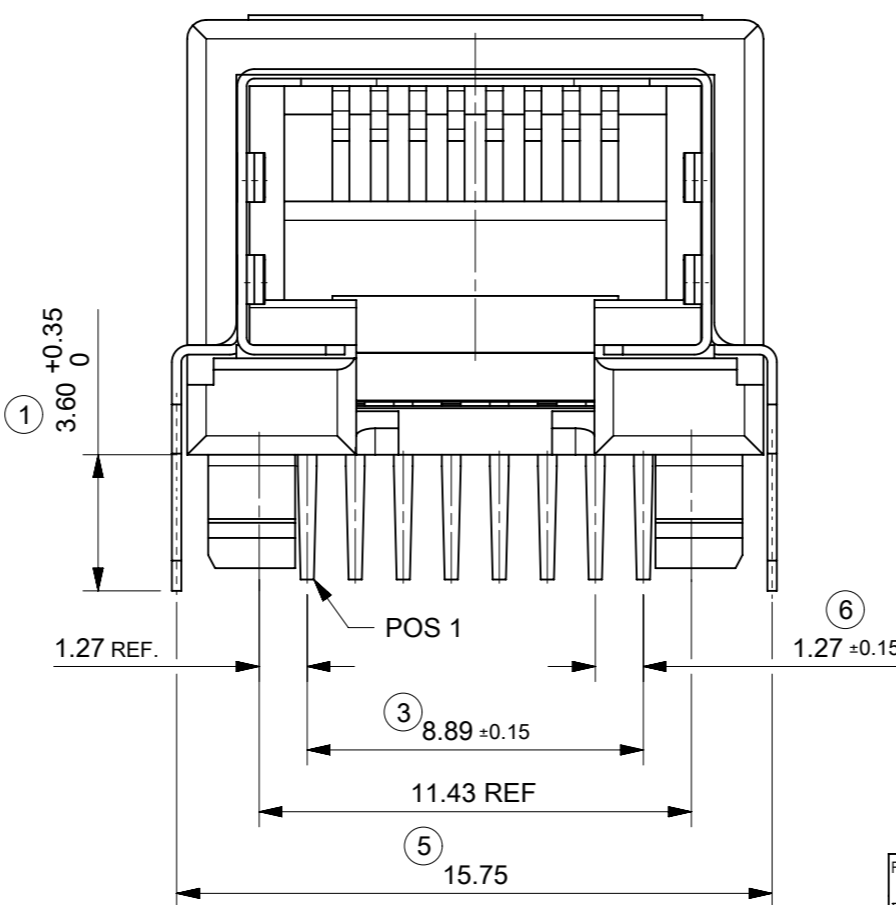
- MATERIAL:
HOUSING: LCP GLASS FILLED UL 94-V0. COLOR: BLACK
TERMINAL: COPPER ALLOY PLATED WITH:
BASE FINISH: NICKEL
CONTACT SURFACE FINISH: GOLD
OR
GOLD FLASH OVER PALLADIUM NICKEL
EXCEEDS PRODUCT REQUIREMENTS BASED ON PS-95540-002
SHIELD: COPPER ALLOY PLATED WITH TIN
- P.C. BOARD THICKNESS 1.57 ± 0.15
- JACK FOR MATING WITH IEC 60603-7 AND TIA-1096-A PLUGS
95043 MOLEX SERIES
- PRODUCT SPECIFICATION: PS-95540-002
- PACKAGING SPECIFICATION: MOLEX PK-95040
- MANUFACTURING I.D. CAN BE EITHER MXF, MG, MXI OR MXCH.

LAST INSPECTION NO.: 16
REMOVED INSPECTION NO.: 2, 4

PART NUMBER
95540-2881



RECOMMENDED
P.C.B. MOUNTING PATTERNS
VIEW FROM COMPONENT SIDE
ALL DIMENSIONS REF DIMENSIONS



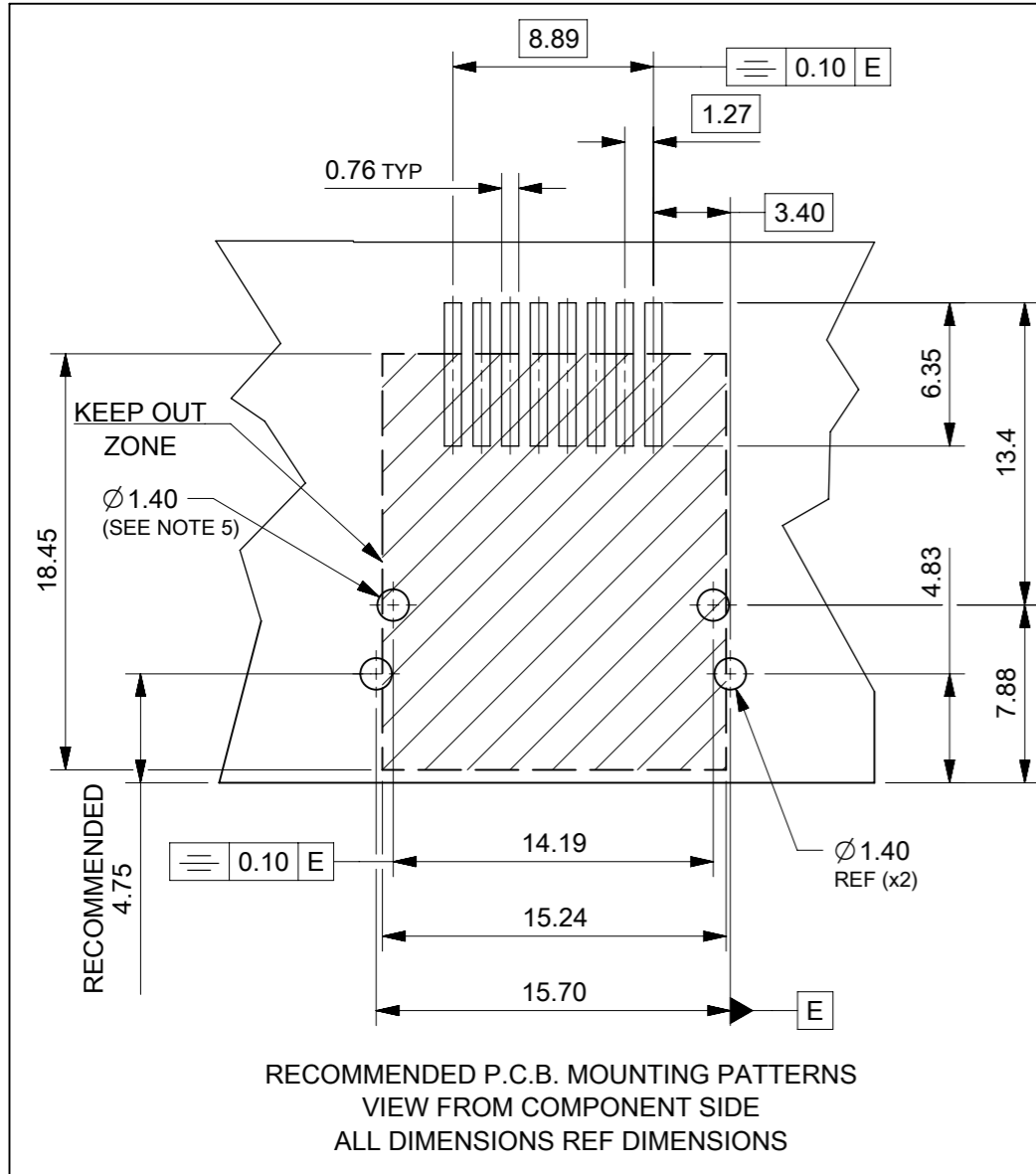
FUNCTIONAL SYMBOLS	THIS DRAWING CONTAINS INFORMATION THAT IS PROPRIETARY TO MOLEX ELECTRONIC TECHNOLOGIES, LLC AND SHOULD NOT BE USED WITHOUT WRITTEN PERMISSION		
	THIS DRAWING DIMENSION UNITS	SCALE	CURRENT REV DESC: REMASTERED USING 3D MODELS
$\nabla_A = 0$	mm	5:1	EC NO: 686740 DRWN: GWU15 CHK'D: KLANG APPR: KLANG INITIAL REVISION: DRWN: KNOLLER APPR: KNOLLER
$\nabla_E = 0$	GENERAL TOLERANCES (UNLESS SPECIFIED)		
$\nabla_{E'} = 0$	ANGULAR TOL ± 0.5°		
DIVISIONAL SYMBOLS	4 PLACES	±	
	3 PLACES	±	
	2 PLACES	± 0.1	2021/07/15
	1 PLACE	± 0.15	2021/12/16
	0 PLACES	±	2021/12/16
DRAFT WHERE APPLICABLE MUST REMAIN WITHIN DIMENSIONS		THIRD ANGLE PROJECTION	DRAWING
			A3-SIZE
		SERIES	95540
		MATERIAL NUMBER	SEE CHART
		CUSTOMER	GENERAL MARKET
		DOCUMENT NUMBER	SD-95540-001
		DOC TYPE	PSD
		DOC PART	001
		REVISION	L2
		SHEET NUMBER	1 OF 3

TECHNICAL SPECIFICATIONS:

MATERIAL:
 HOUSING: LCP GLASS FILLED UL 94-V0 COLOR: BLACK
 TERMINAL: COPPER ALLOY PLATED WITH:
 BASE FINISH: NICKEL
 CONTACT SURFACE FINISH:
 GOLD
 OR
 GOLD FLASH OVER PALLADIUM NICKEL
 EXCEEDS PRODUCT REQUIREMENTS BASED ON PS-95540-002

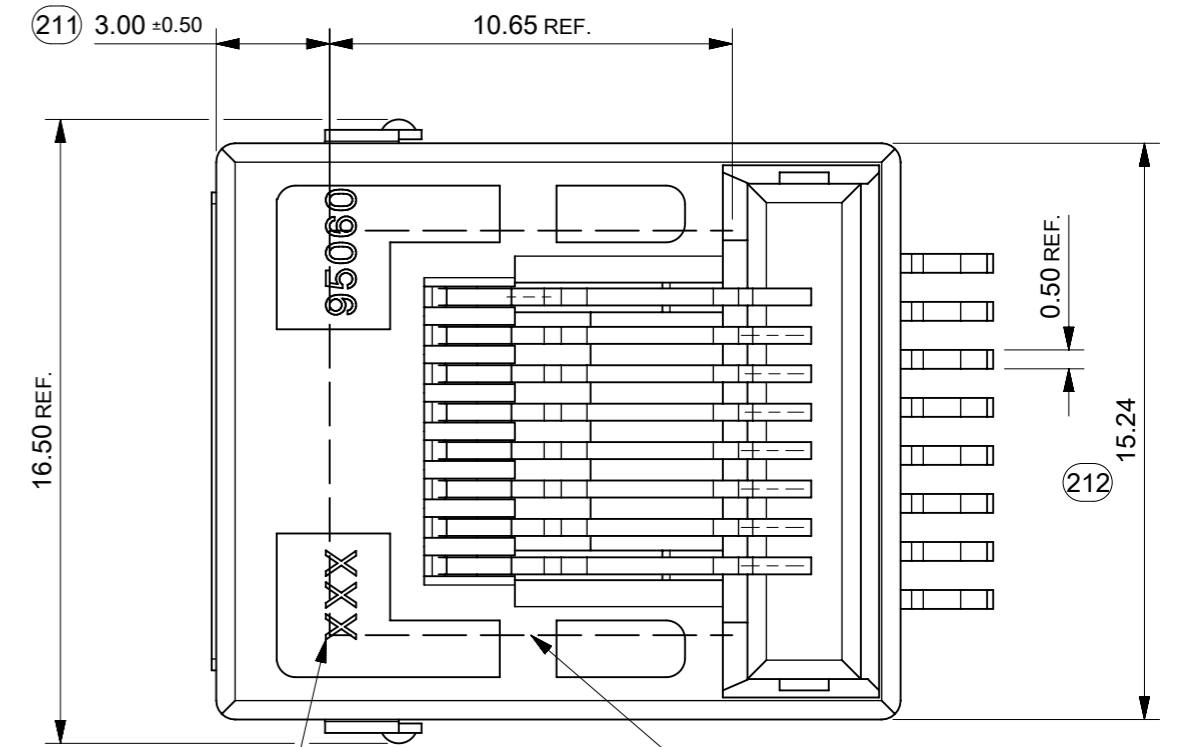
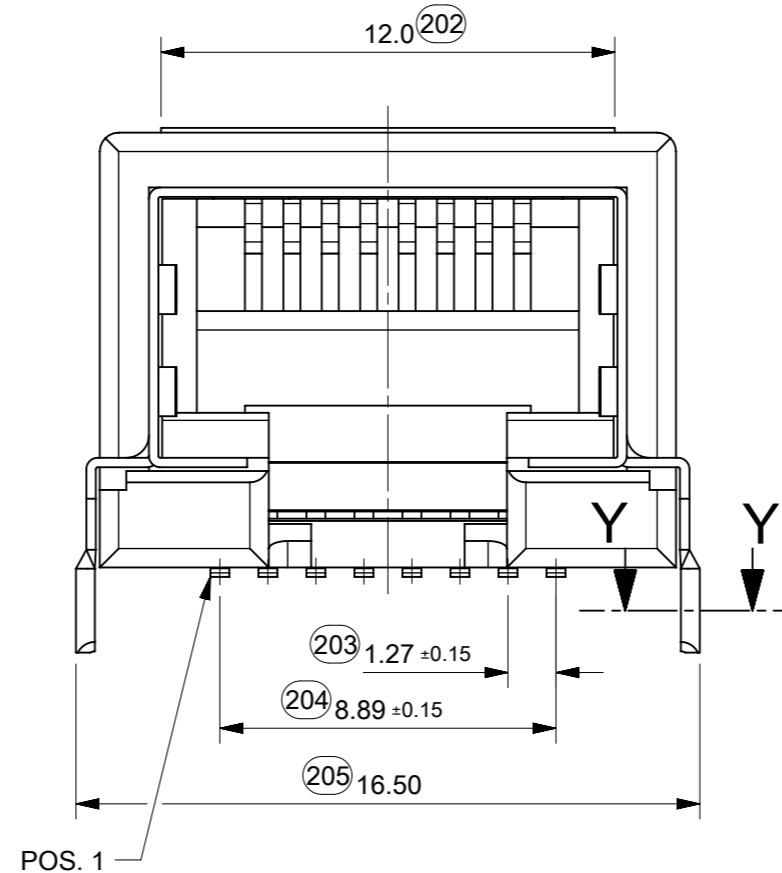
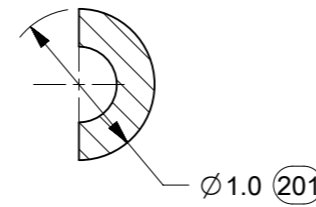
SHIELD: COPPER ALLOY PLATED WITH TIN

PART NUMBER	PEG DIM A	PACKAGING	
		REEL SIZE	SPEC.
95540-5880	1.34±0.10	330	PK-85502 SHET 1
95540-6880	2.25	330	PK-85502 SHET 1



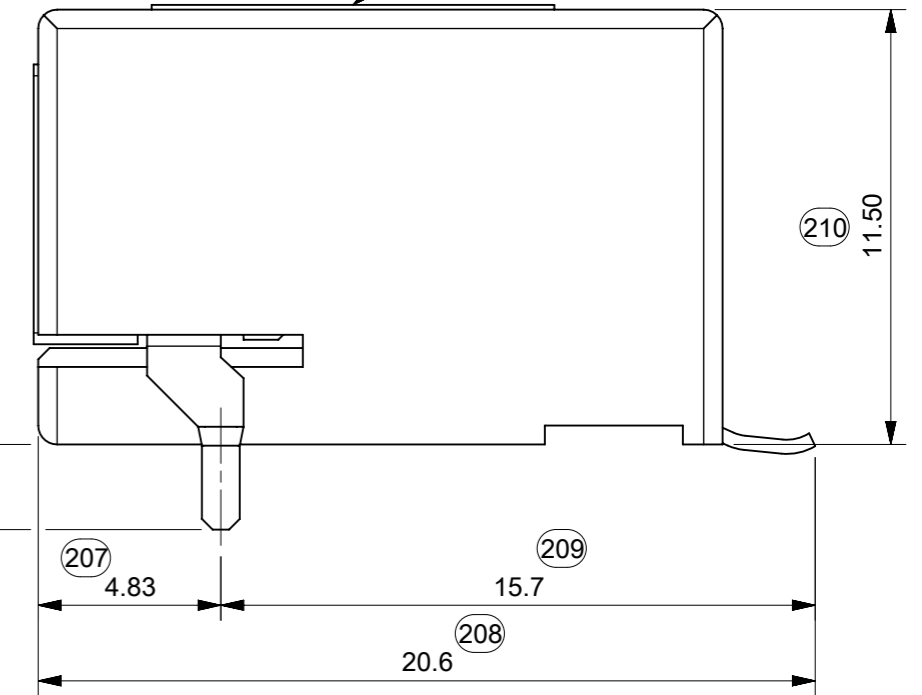
- NOTES:
- JACK FOR MATING WITH IEC 60603-7 AND TIA-1096-A PLUGS, 95043 MOLEX SERIES.
 - COPLANARITY OF LEADS: 0.10 MAX.
 - PACKAGING: MOLEX PK-85502 SHEET 1 (BLISTER ON REEL).
 - KAPTON ADHESIVE FOIL: 0.125 THICK.
 - OPTIONAL HOLES FOR COMPAT. WITH UNSHIELDED VERSION.
 - PRODUCT SPECIFICATION: MOLEX PS-95540-002
 - MANUFACTURING I.D. CAN BE EITHER MXF, MG, MXI OR MXCH.

LAST INSPECTION NUMBER: 212



NOTE 7

SEE NOTE 4



FUNCTIONAL SYMBOLS	THIS DRAWING CONTAINS INFORMATION THAT IS PROPRIETARY TO MOLEX ELECTRONIC TECHNOLOGIES, LLC AND SHOULD NOT BE USED WITHOUT WRITTEN PERMISSION	CURRENT REV DESC: REMASTERED USING 3D MODELS																																												
	<table border="1"> <tr> <th>DIMENSION UNITS</th> <th>SCALE</th> </tr> <tr> <td>mm</td> <td>5:1</td> </tr> </table>	DIMENSION UNITS	SCALE					mm	5:1	<table border="1"> <tr> <th colspan="2">GENERAL TOLERANCES (UNLESS SPECIFIED)</th> </tr> <tr> <td>ANGULAR TOL</td> <td>± 0.5°</td> </tr> <tr> <td>4 PLACES</td> <td>±</td> </tr> <tr> <td>3 PLACES</td> <td>±</td> </tr> <tr> <td>2 PLACES</td> <td>± 0.1</td> </tr> <tr> <td>1 PLACE</td> <td>± 0.15</td> </tr> <tr> <td>0 PLACES</td> <td>±</td> </tr> </table>		GENERAL TOLERANCES (UNLESS SPECIFIED)		ANGULAR TOL	± 0.5°	4 PLACES	±	3 PLACES	±	2 PLACES	± 0.1	1 PLACE	± 0.15	0 PLACES	±	<table border="1"> <tr> <td>EC NO: 686740</td> <td>2021/07/15</td> </tr> <tr> <td>DRWN: GWU15</td> <td>2021/12/16</td> </tr> <tr> <td>CHK'D: KLANG</td> <td>2021/12/16</td> </tr> <tr> <td>APPR: KLANG</td> <td></td> </tr> </table>		EC NO: 686740	2021/07/15	DRWN: GWU15	2021/12/16	CHK'D: KLANG	2021/12/16	APPR: KLANG		<table border="1"> <tr> <th colspan="4">PRODUCT CUSTOMER DRAWING</th> </tr> <tr> <td>DOCUMENT NUMBER</td> <td>DOC TYPE</td> <td>DOC PART</td> <td>REVISION</td> </tr> <tr> <td>SD-95540-001</td> <td>PSD</td> <td>001</td> <td>L2</td> </tr> </table>				PRODUCT CUSTOMER DRAWING				DOCUMENT NUMBER	DOC TYPE	DOC PART
DIMENSION UNITS	SCALE																																													
mm	5:1																																													
GENERAL TOLERANCES (UNLESS SPECIFIED)																																														
ANGULAR TOL	± 0.5°																																													
4 PLACES	±																																													
3 PLACES	±																																													
2 PLACES	± 0.1																																													
1 PLACE	± 0.15																																													
0 PLACES	±																																													
EC NO: 686740	2021/07/15																																													
DRWN: GWU15	2021/12/16																																													
CHK'D: KLANG	2021/12/16																																													
APPR: KLANG																																														
PRODUCT CUSTOMER DRAWING																																														
DOCUMENT NUMBER	DOC TYPE	DOC PART	REVISION																																											
SD-95540-001	PSD	001	L2																																											
DIVISIONAL SYMBOLS	<table border="1"> <tr> <th>DRAFT WHERE APPLICABLE MUST REMAIN WITHIN DIMENSIONS</th> <th>THIRD ANGLE PROJECTION</th> <th>DRAWING</th> <th>SERIES</th> <th>MATERIAL NUMBER</th> <th>CUSTOMER</th> <th>SHEET NUMBER</th> </tr> <tr> <td></td> <td></td> <td>A3-SIZE</td> <td>95540</td> <td>SEE CHART</td> <td>GENERAL MARKET</td> <td>3 OF 3</td> </tr> </table>	DRAFT WHERE APPLICABLE MUST REMAIN WITHIN DIMENSIONS	THIRD ANGLE PROJECTION	DRAWING	SERIES	MATERIAL NUMBER	CUSTOMER	SHEET NUMBER			A3-SIZE	95540	SEE CHART	GENERAL MARKET	3 OF 3																															
DRAFT WHERE APPLICABLE MUST REMAIN WITHIN DIMENSIONS	THIRD ANGLE PROJECTION	DRAWING	SERIES	MATERIAL NUMBER	CUSTOMER	SHEET NUMBER																																								
		A3-SIZE	95540	SEE CHART	GENERAL MARKET	3 OF 3																																								

DOCUMENT STATUS	P1	RELEASE DATE	2021/12/16	01:29:37
-----------------	----	--------------	------------	----------