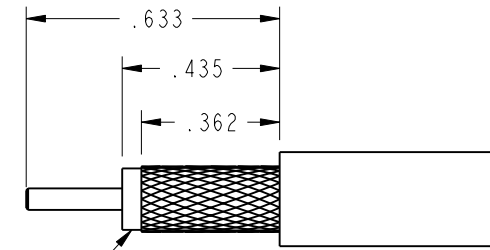


NOTES:

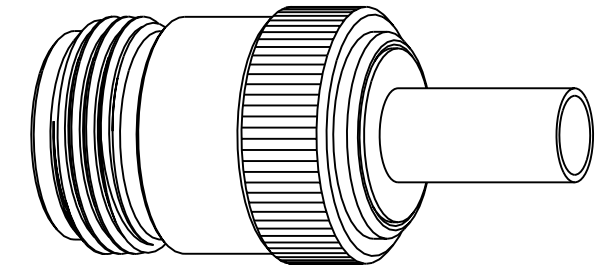
1. MATERIALS AND FINISHES:
  - BODY - BRASS, NICKEL PLATING (.000100 THICK)
  - CONTACT - BERYLLIUM COPPER, GOLD PLATING (.000030 THICK)
  - INSULATOR - PTFE
2. ELECTRICAL:
  - A. IMPEDANCE: 50 OHM
  - B. FREQUENCY RANGE: DC - 2.2 GHz
  - C. VSWR(RETURN LOSS): 1.065 (30 dB), MAX.
  - D. DIELECTRIC WITHSTANDING VOLTAGE: 2,500 VRMS, MIN.
3. MECHANICAL:
  - B. TEMPERATURE RANGE: -65° C TO +165° C
4. PACKAGING:
  - A. QUANTITY: SINGLE PACK
  - B. MARKING: BAG TO BE MARKED  
"AMPHENOL, 82-6313, AND DATE CODE"
5. CABLE ASSEMBLY INSTRUCTIONS:
  - TRIM CABLE AS SHOWN
  - SLIDE DIELECTRIC BUSHING ONTO REAR END OF CONTACT BEFORE SOLDERING OR CRIMPING TO CABLE CENTER CONDUCTOR
  - WHEN SOLDERING CONTACT TO CABLE, ROSIN FLOE (60% TIN/ 40% LEAD) SOFT SOLDER PER QQ-S-571 IS RECOMMENDED. WHEN CRIMPING CONTACT TO CABLE, CRIMP WITH AMPHENOL TOOL 227-944 & DIE SET 227-1221-57, CAVITY "B"
  - CRIMP FERRULE OVER BRAID AND BODY WITH AMPHENOL TOOL 227-994 AND DIE SET 227-1221-57, CAVITY "A"

82-6313		REVISIONS			
DRAWING NO.	REV	DESCRIPTION	DATE	ECO	APPR
THIRD ANGLE PROJ.	A	RELEASE TO MFG.	9/11/02	44193	

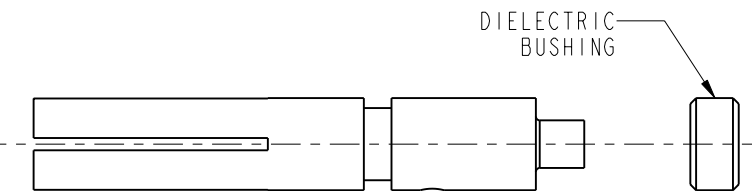
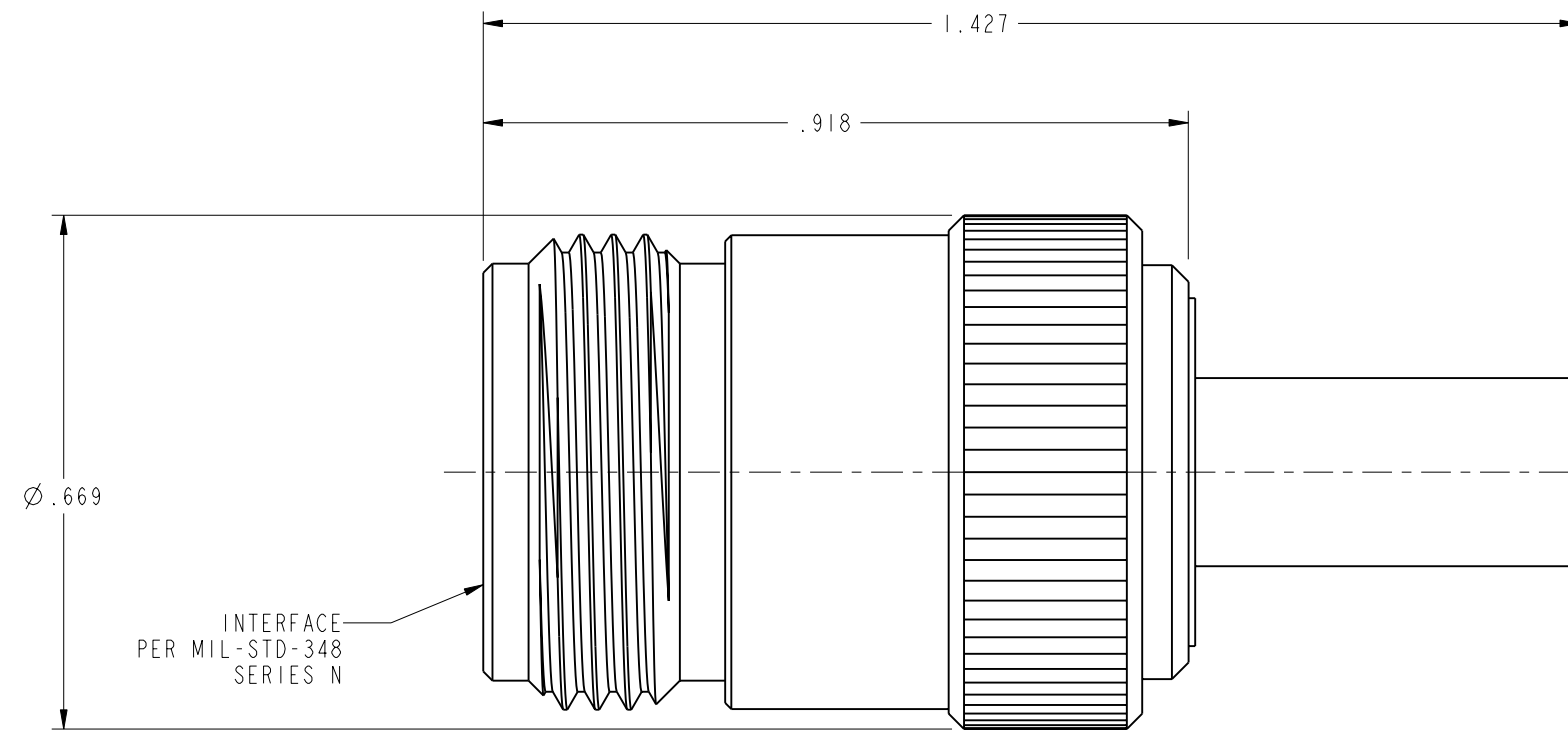


BONDED FOIL ON RG-58 FOIL TYPE,  
OR DIELECTRIC ON RG-58

RECOMMENDED  
STRIPPING DIMENSIONS  
SCALE 2.000



SCALE 2.000



DIELECTRIC  
BUSHING

**CUSTOMER OUTLINE DRAWING**  
ALL OTHER SHEETS ARE FOR INTERNAL USE ONLY

UNLESS OTHERWISE SPECIFIED, DIMENSIONS ARE IN INCHES AND TOLERANCES ARE: 2 PLACE DECIMAL ±.015 (0,381 mm) 3 PLACE DECIMAL ±.005 (0,127 mm) ANGLES ± 1°	MATERIAL	DRAWN MIKE HOYACK	DATE 10-Sep-02	TITLE <b>N CRIMP JACK FOR RG-58 &amp; RG-58 FOIL TYPE CABLE</b>	<b>Amphenol</b> Amphenol Corporation Communication and Network Products Division Danbury, CT U.S.A. 06810		
	REFERENCE EAR# 690 GEN# ASSYF64_N 611X-4088-100	ENGINEER MIKE HOYACK	DATE 26-Jul-02				
NOTICE - These drawings, specifications, or other data (1) are, and remain the property of Amphenol Corp. (2) must be returned upon request; and (3) are confidential and not to be disclosed to any person other than those to whom they are given by Amphenol Corp. The furnishing of these drawings, specifications, or other data by Amphenol Corp., or to any other person to anyone for any purpose is not to be regarded by implication or otherwise in any manner licensing, granting rights or permitting such holder or any other person to manufacture, use or sell any product, process or design, patented or otherwise, that may in any way be related to or disclosed by said drawings, specifications, or other data.		APPROVED O. BARTHELMES	DATE 9/11/02	CODE ID 74868	DWG SIZE B	DRAWING NO. 82-6313	REV A
							SCALE: 4.0:1 SHEET 2 OF 2