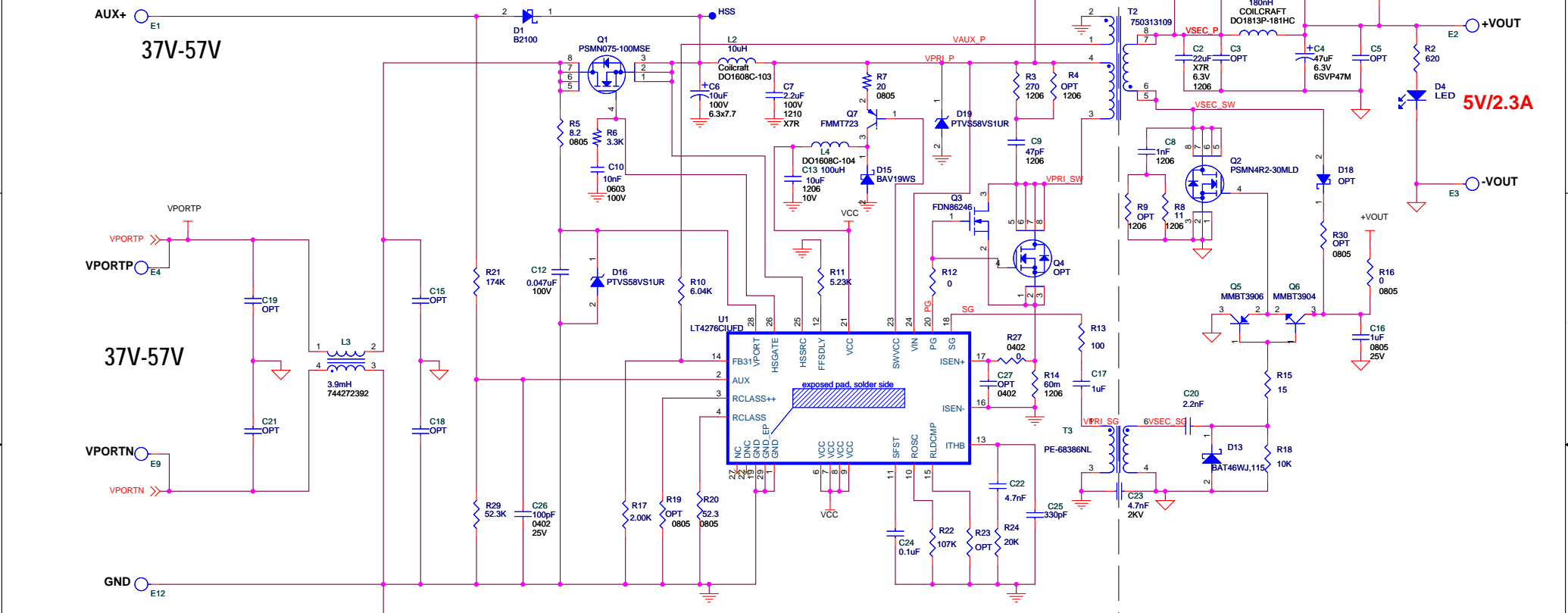


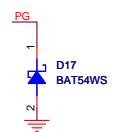
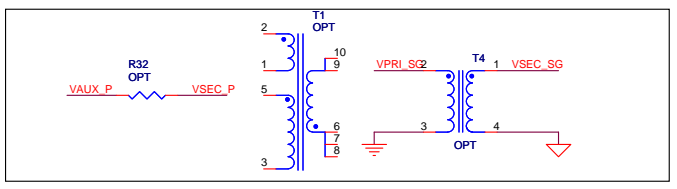
REVISION HISTORY

| ECO | REV | DESCRIPTION | APPROVED | DATE |
|-----|-----|-------------|----------|----------|
| 1 | 4 | PRODUCTION | KAUNG H. | 1-7-2015 |



| ASSEMBLY VERSION | OUTPUT | U1 |
|------------------|-----------|-------------|
| DC2046A-A | 3.3V/6.8A | LT4276BIUFD |
| DC2046A-B | 5V/4.7A | LT4276BIUFD |
| DC2046A-C | 12V/1.9A | LT4276BIUFD |
| DC2046A-D | 24V/0.95A | LT4276BIUFD |
| DC2046A-E | 5V/7A | LT4276AIUFD |
| DC2046A-F | 5V/2.3A | LT4276CIUFD |

OPTIONAL COMPONENTS



| CUSTOMER NOTICE | | APPROVALS | | | 1630 McCarthy Blvd. Milpitas, CA 95035 Phone: (408)432-1900 www.linear.com Fax: (408)434-0507 LTC Confidential-For Customer Use Only | |
|--|--|-----------|--|--------------|--|--|
| LINEAR TECHNOLOGY HAS MADE A BEST EFFORT TO DESIGN A CIRCUIT THAT MEETS CUSTOMER-SUPPLIED SPECIFICATIONS; HOWEVER, IT REMAINS THE CUSTOMER'S RESPONSIBILITY TO VERIFY PROPER AND RELIABLE OPERATION IN THE ACTUAL APPLICATION. COMPONENT SUBSTITUTION AND PRINTED CIRCUIT BOARD LAYOUT MAY SIGNIFICANTLY AFFECT CIRCUIT PERFORMANCE OR RELIABILITY. CONTACT LINEAR TECHNOLOGY APPLICATIONS ENGINEERING FOR ASSISTANCE. | | | | | PCB DES. | K. HTOO |
| | | | | APP ENG. | K. HTOO | |
| THIS CIRCUIT IS PROPRIETARY TO LINEAR TECHNOLOGY AND SUPPLIED FOR USE WITH LINEAR TECHNOLOGY PARTS. | | | | SCALE = NONE | | SIZE N/A IC NO. LT4276CIUFD, LT4321IUF DEMO CIRCUIT 2046A-F REV. 4 |
| | | | | DATE: | Wednesday, April 01, 2015 | SHEET 1 OF 2 |

