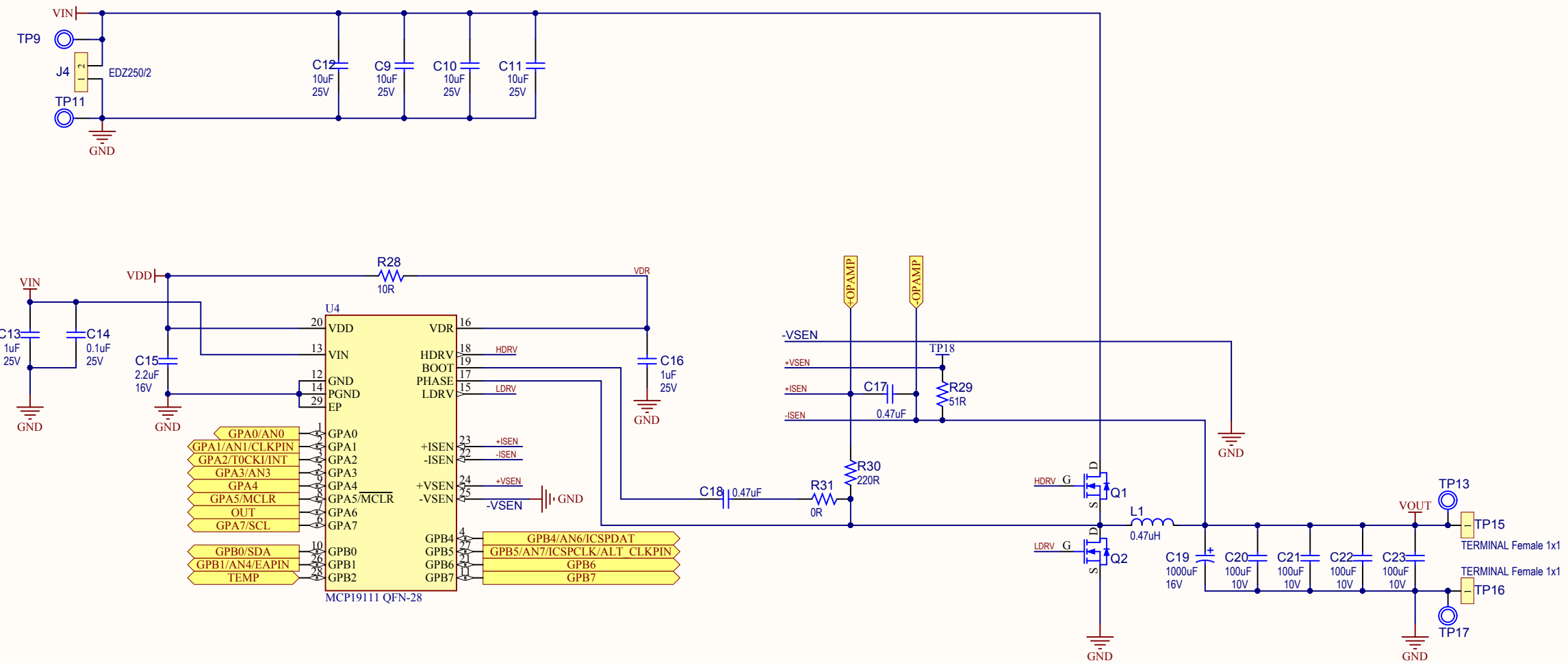


Drawn By: George Popescu	
Engineer: Bogdan Simionescu	
PartNumber: ARD00609	Project Title <b>MCP19111 PMBus-Enabled POL Board</b>
Sheet Title <b>MCP19111 Page 1</b>	Designed with 
Size B	Sch #:03-10337
Revision:1	Date: 9/11/2015 5:06:46 PM
File: MCP19111 PMBus-Enabled POL Board Page 1.SchDoc	Sheet 1 of 2



02- -R1  
JIT

LABEL1

Drawn By: George Popescu	
Engineer: Bogdan Simionescu	
PartNumber: ARD00609	Project Title <b>MCP19111 PMBus-Enabled POL Board</b>
Sheet Title MCP19111 Page 2	Designed with 
Size B	Sch #:03-10337 Date: 9/11/2015 5:06:46 PM
	Revision:1 Sheet 2 of 2
File: MCP19111 PMBus-Enabled POL Board Page 2.SchDoc	