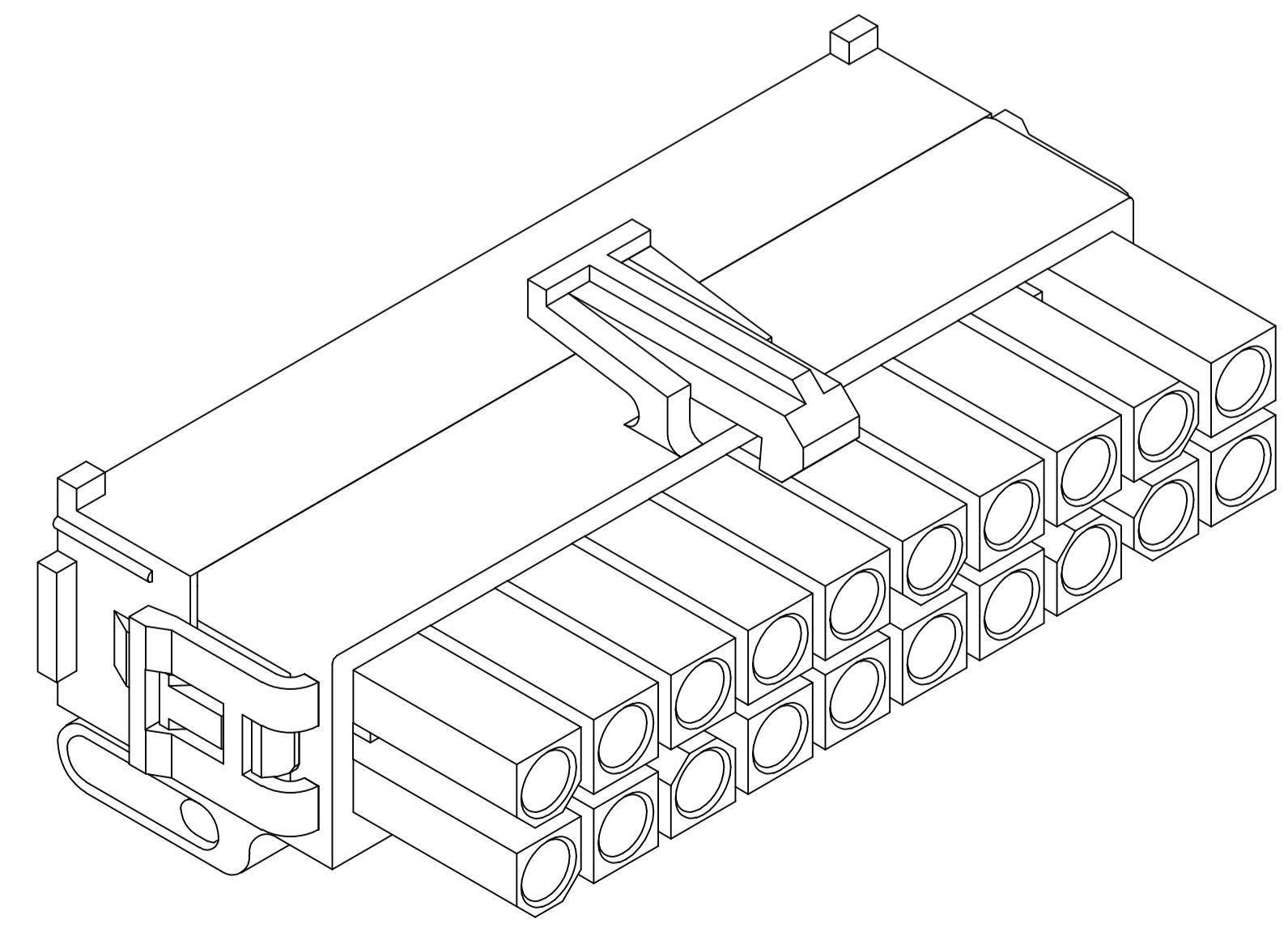
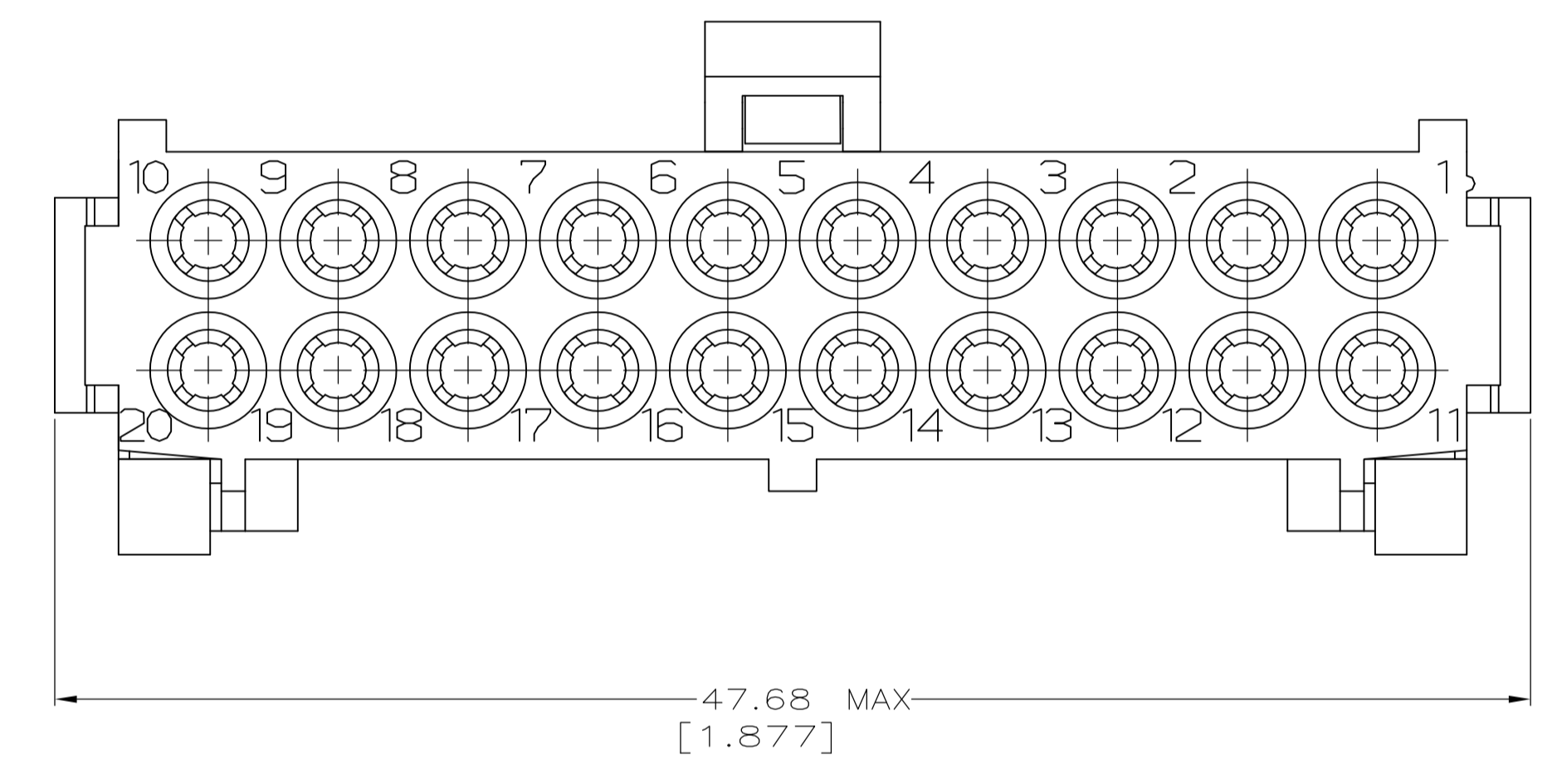
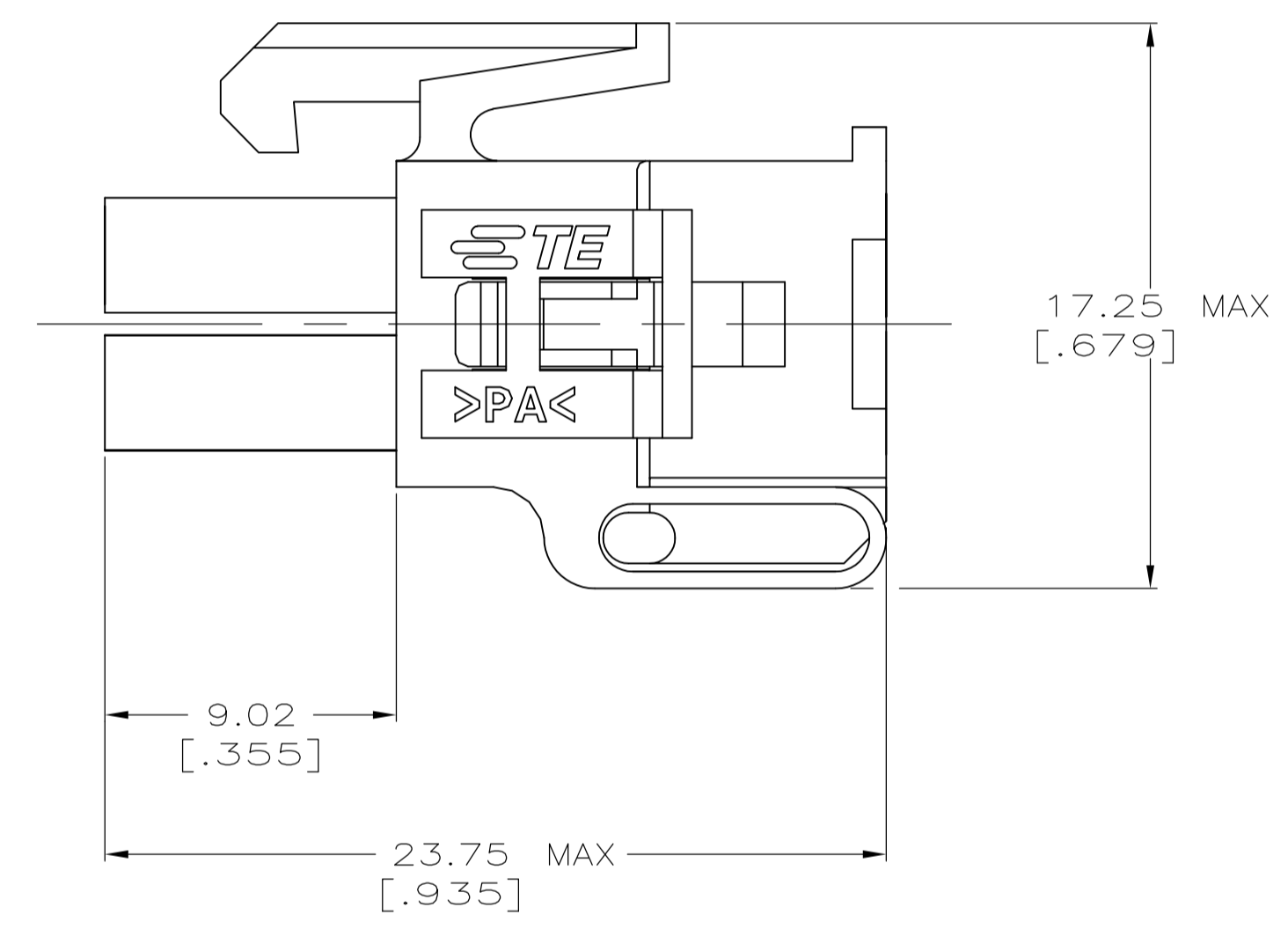
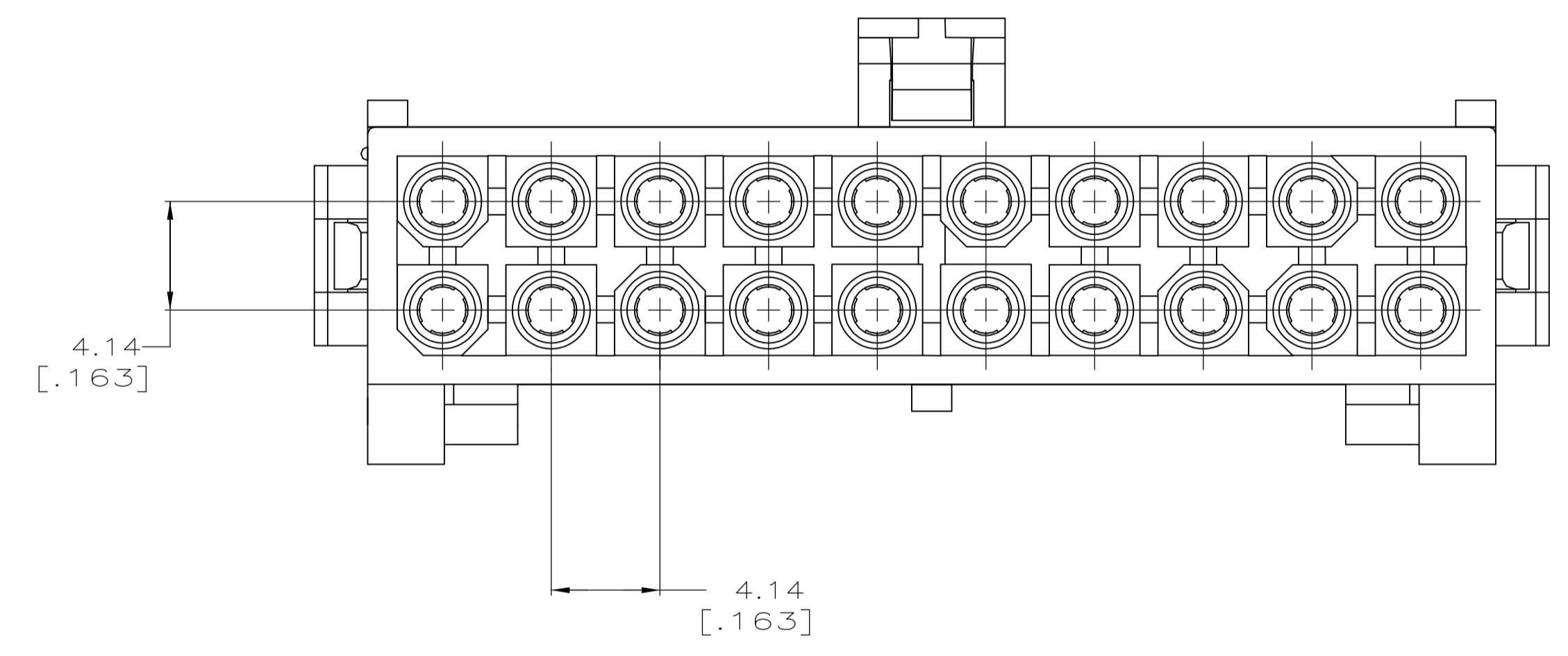


PRE-STAGED CONDITION

1 DIMENSIONS IN BRACKETS ARE IN INCHES.



3-DIMENSIONAL MODEL NTS

794210-1
PART NUMBER

THIS DRAWING IS A CONTROLLED DOCUMENT.		DIN	K. WHITAKER	5-20-97
		CHK	R. SWING	5-20-97
		APP'D	R. ORSTAD	5-20-97
		NAME	PLUG, 20 CIRCUIT, MINI UNIVERSAL MATE-N-LOK	
DIMENSIONS:		TOLERANCES UNLESS OTHERWISE SPECIFIED:		
mm		0. PLC	±	-
		1. PLC	±	-
		2. PLC	±	-
		3. PLC	±	0.13 [.005]
		4. PLC	±	-
		ANGLES	±	-
MATERIAL		FINISH		
NYLON, UL94V-0, NATURAL		FINISH		
CUSTOMER DRAWING		SCALE	5:1	SHEET 1 OF 1
SIZE		CAGE CODE	DRAWING NO	RESTRICTED TO
A1		00779	794210	-