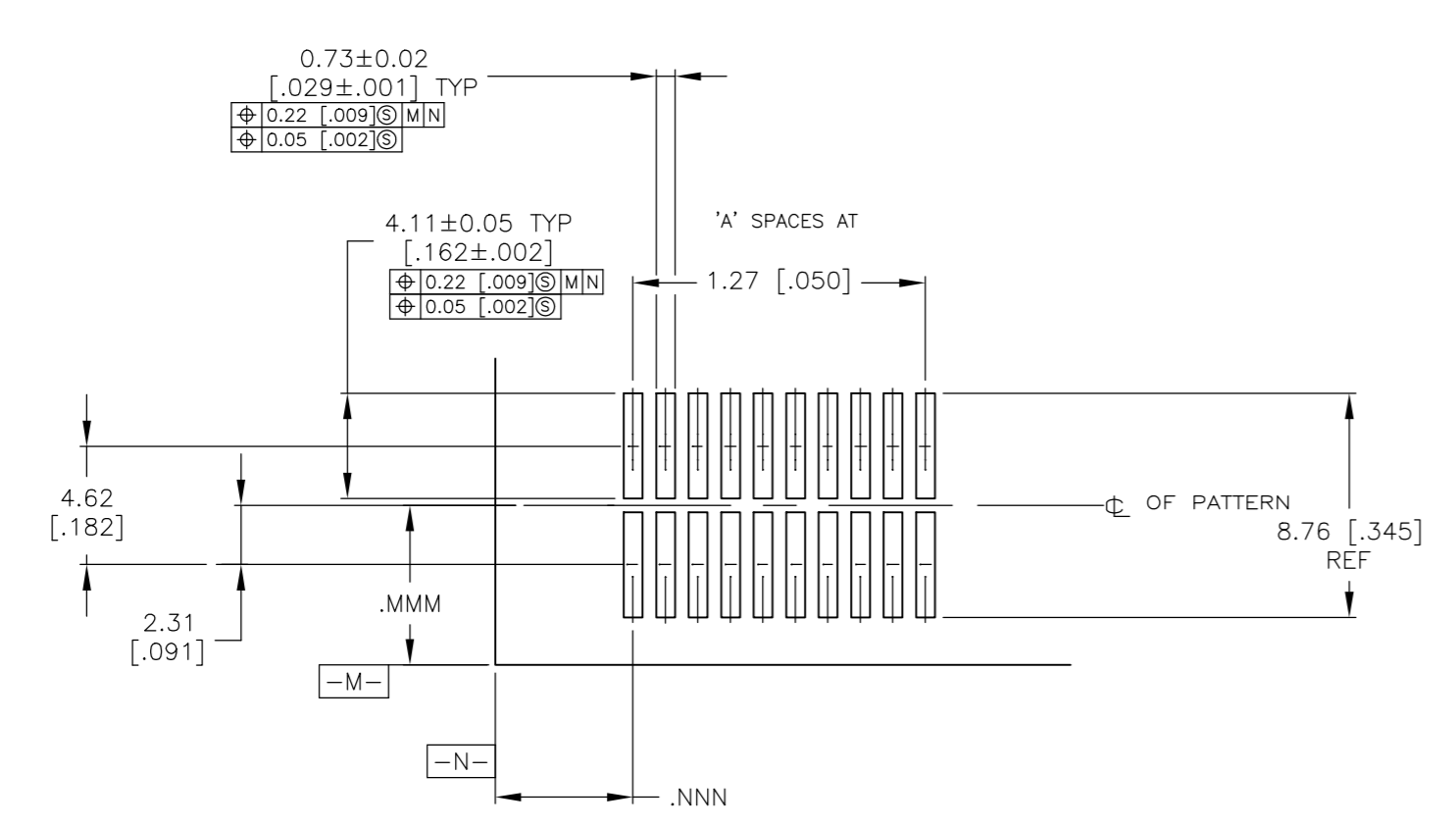
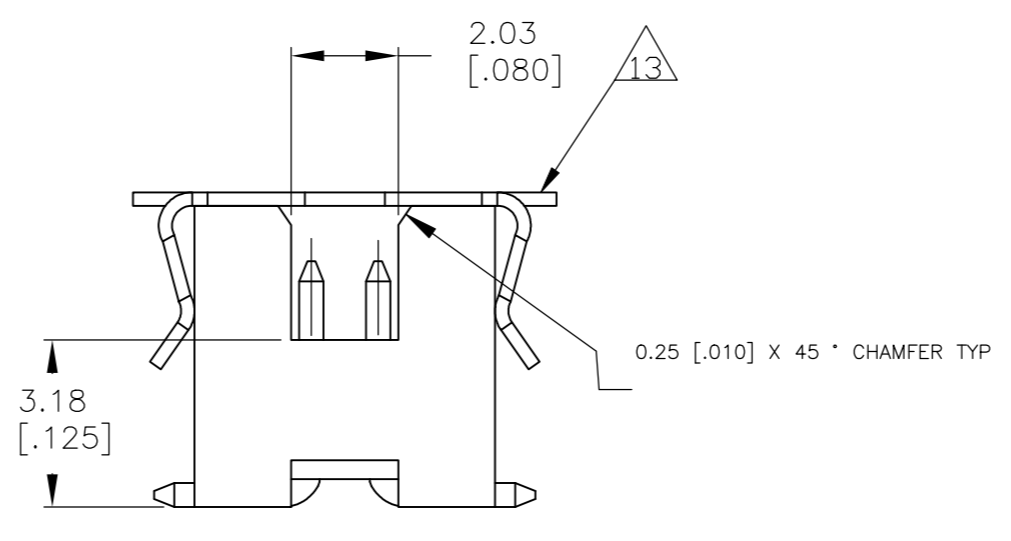
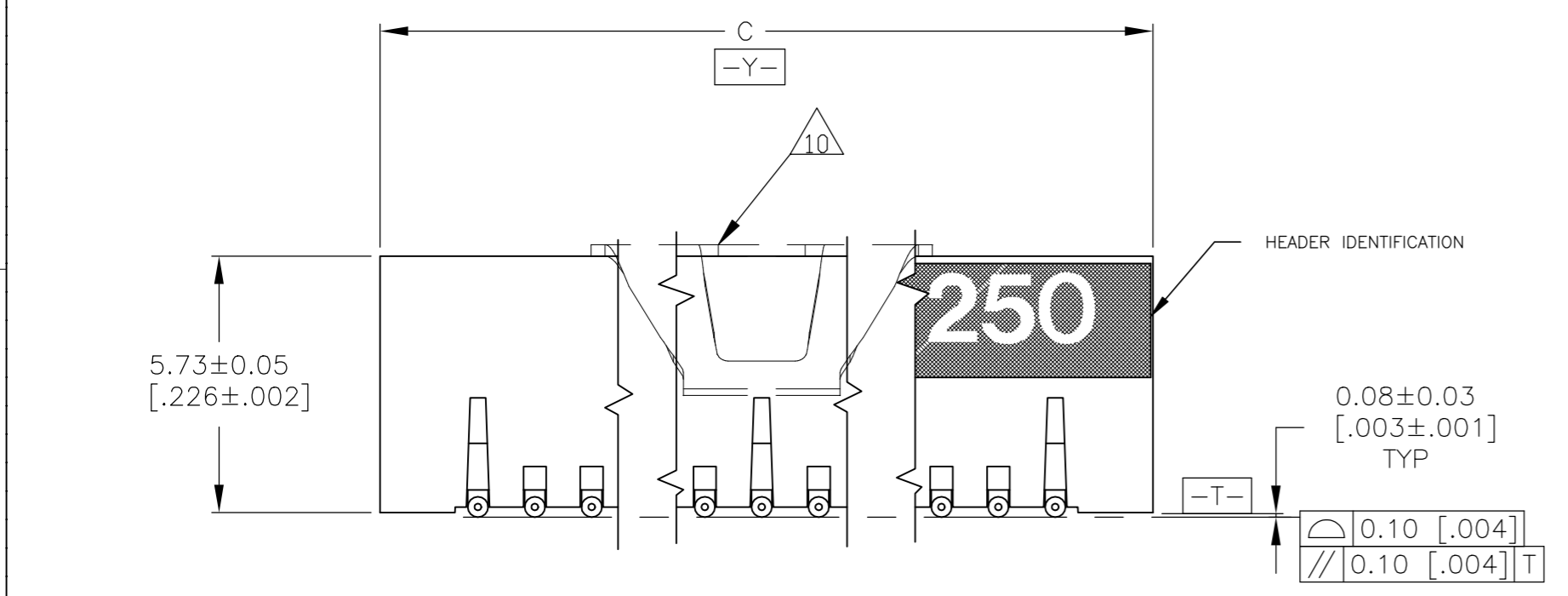
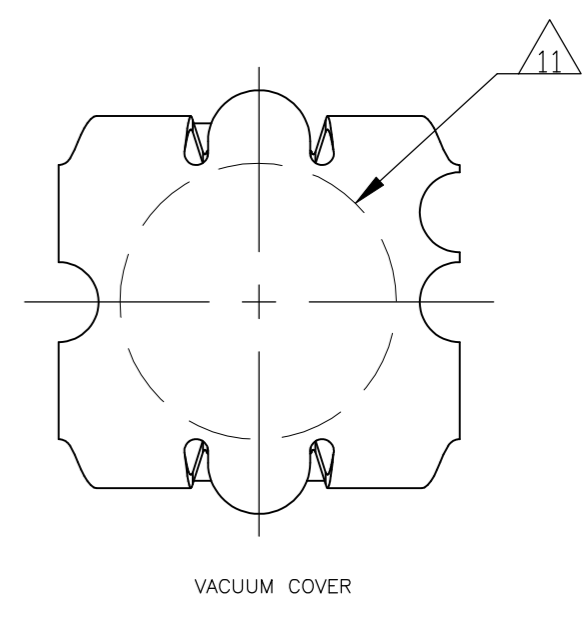
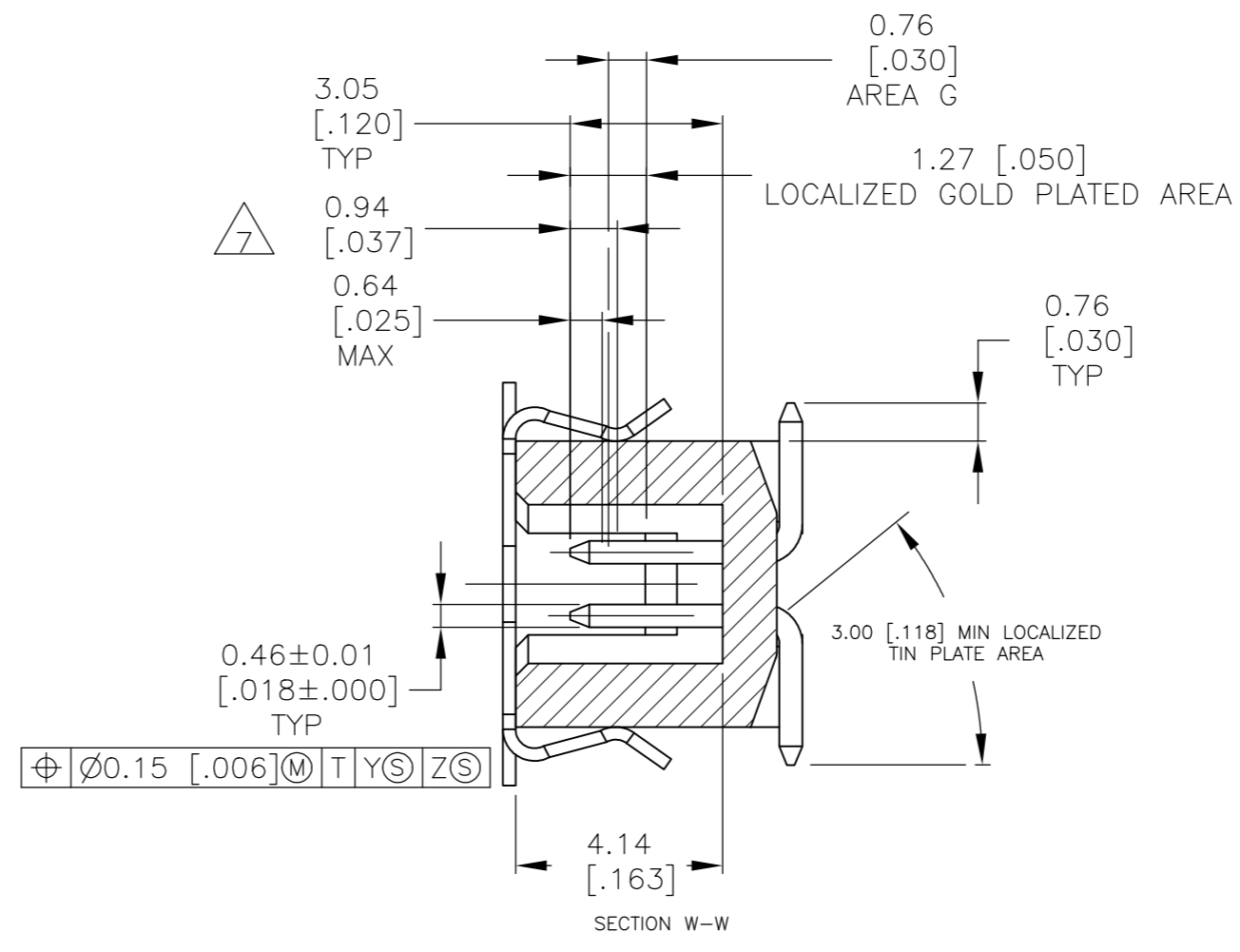
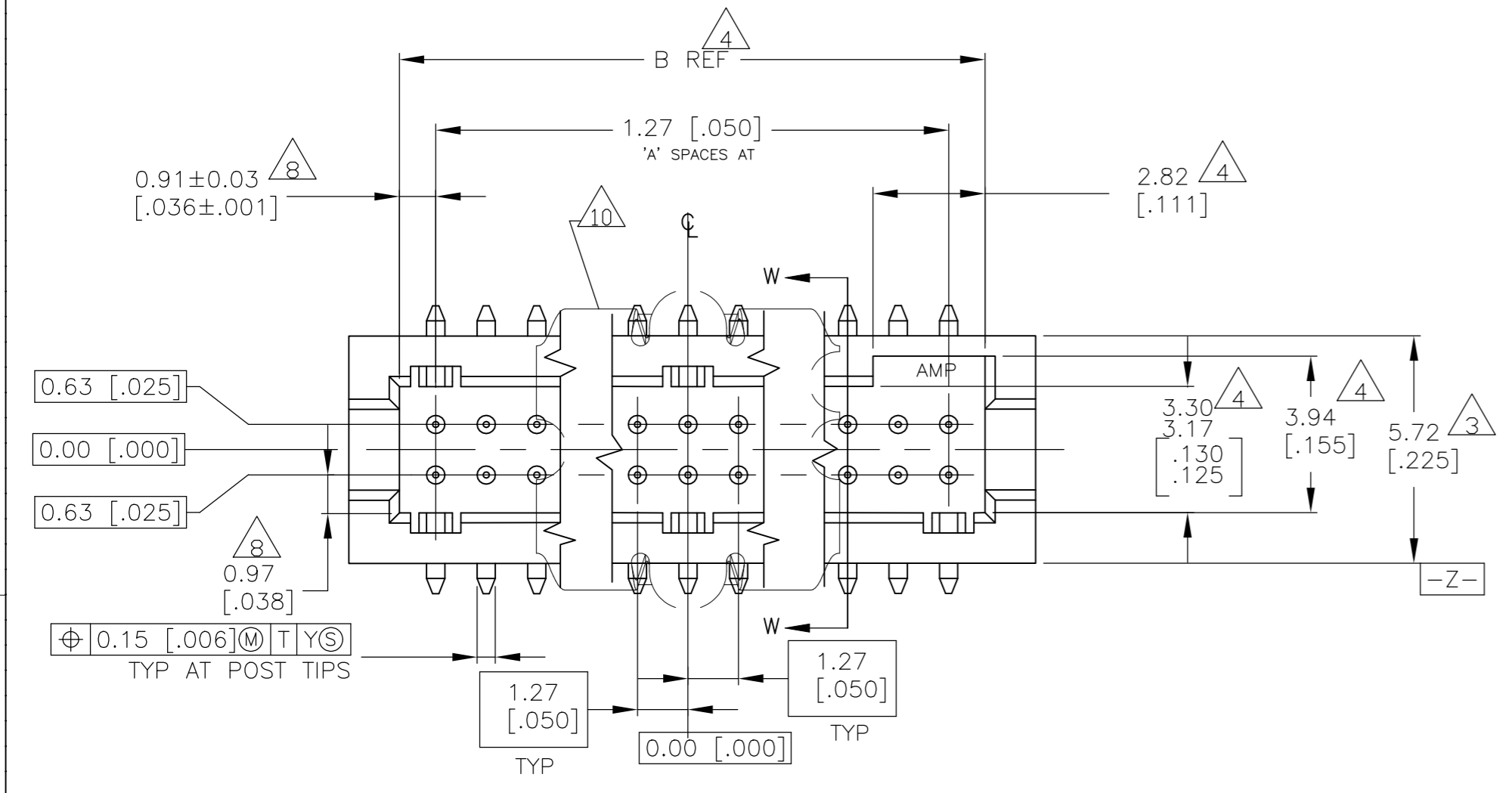


REVISIONS						
P	LTR	DESCRIPTION	DATE	DWN	APVD	
D	EC	OG3C 0725 04	30NOV04	BSV	DLS	
D1	REVISED PER	ECO-09-020932	03SEP09	KK	AEQ	
E	REVISED PER	ECO-17-016552	21NOV2017	RS	JO	
E1	REVISED PER	ECO-17-017496	01DEC2017	RS	JO	



- 1 0.00076[.000030] GOLD AT POINT OF MEASUREMENT, 0.00051[.000020] MIN AT THE END POINTS OF AREA G, (LOCALIZED PLATE AREA), 0.0038[.000150] TIN-LEAD ON LOCALIZED TIN-LEAD PLATED AREA, ALL OVER 0.0013[.000050] NICKEL
- 2 USE 1.32 ±0.02 [.0520] DRILLED HOLE (#55 DRILL). FINISH TO BE TIN-LEAD OVER 0.02[.001] MIN COPPER.
- 3 DIMENSION APPLIES AT BASE OF THE SHROUD.
- 4 THE NOTED DIMENSIONS APPLY AT THE MATING FACE OF THE HOUSING.
- 5 0.0038[.00150] TIN-LEAD ON HOLD DOWN, ALL OVER 0.0013[.000050] NICKEL.
- 6 IF PLANNING TO USE MORE THAN ONE MATING PAIR OF CONNECTORS TO INTERCONNECT 2 BOARDS, PLEASE REFER TO PARA. 3.3 IN THE APPLICATION SPEC 114-7010
- 7 POINT OF MEASUREMENT
- 8 DIMENSIONS NOTED APPLY FROM THE BASIC DIMENSION LINE (NOT THE CIRCUIT CAVITY CENTER LINE) TO THE SURFACE INDICATED.
- 9 PACKAGED IN TAPE AND REEL PER EIA-481 SPECIFICATIONS, SEE CHART FOR TAPE WIDTHS.
- 10 VACUUM COVER SHOWN IN PHANTOM LINE.
- 11 5.5 [.216] MIN DIAMETER TARGET AREA FOR VACUUM PICK-UP.
- 12 HOUSING: LCP, COLOR-BLACK
POST: PHOSPHOR BRONZE.
VACUUM COVER: ALUMINUM.
- 13 VACUUM COVER DESIGNED FOR 4.0 [.160] DIA NOZZLE.
VACUUM COVER TO BE REMOVED AFTER SOLDERING.
- 14 0.00076[.000030] GOLD AT POINT OF MEASUREMENT, 0.00051[.000020] MIN AT END POINTS OF AREA G, LOCALIZED PLATE AREA, 0.0038[.000150] TIN ON LOCALIZED TIN PLATED AREA, ALL OVER 0.00127[.000050] NICKEL
- 15 OBSOLETE PARTS: OBSOLETE CIS STREAMLINING PER D.RENAUD/D.SINISI

FINISH	TAPE WIDTH	C	B	A	NUMBER OF POSITIONS	PART NUMBER
	24mm	9.44 [.372]	6.90 [.272]	4	10	5-147121-1
15 SUPERSEDED	24mm	15.79 [.622]	13.25 [.522]	9	20	147121-2
	24mm	9.44 [.372]	6.90 [.272]	4	10	147121-1

RECOMMENDED BOARD LAYOUT
SCALE - 5:1

THIS DRAWING IS A CONTROLLED DOCUMENT. DIM: T SMITH 13APR99
 CHK: D SIMPSON 13APR99
 APVD: D SIMPSON 13APR99
 NAME: TE Connectivity

DIMENSIONS: mm [INCHES] TOLERANCES UNLESS OTHERWISE SPECIFIED:
 0 PLC ± -
 1 PLC ± -
 2 PLC ± 0.1[.005]
 3 PLC ± -
 4 PLC ± -
 ANGLES ± 0-30°

MATERIAL: FINISH: SEE TABLE WEIGHT: CUSTOMER DRAWING

SIZE: A1 CAGE CODE: 00779 DRAWING NO: 147121 RESTRICTED TO: 10:1 SHEET 1 OF 1 REV E1