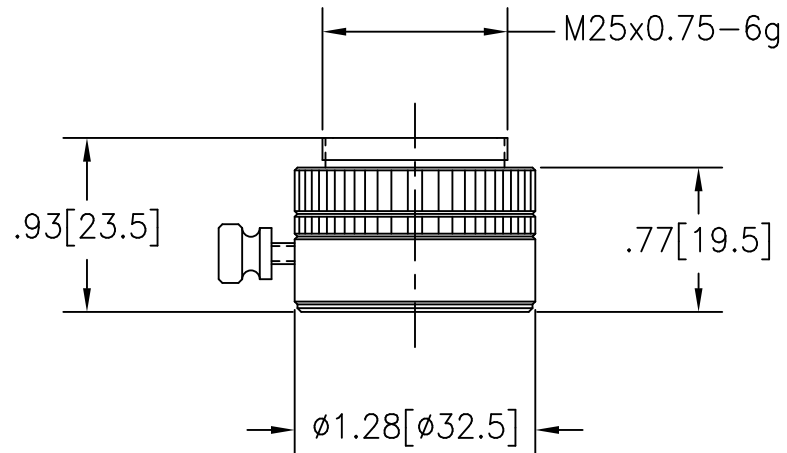


29-69-01  
1/4 WAVE PLATE



REV B 5/15/11