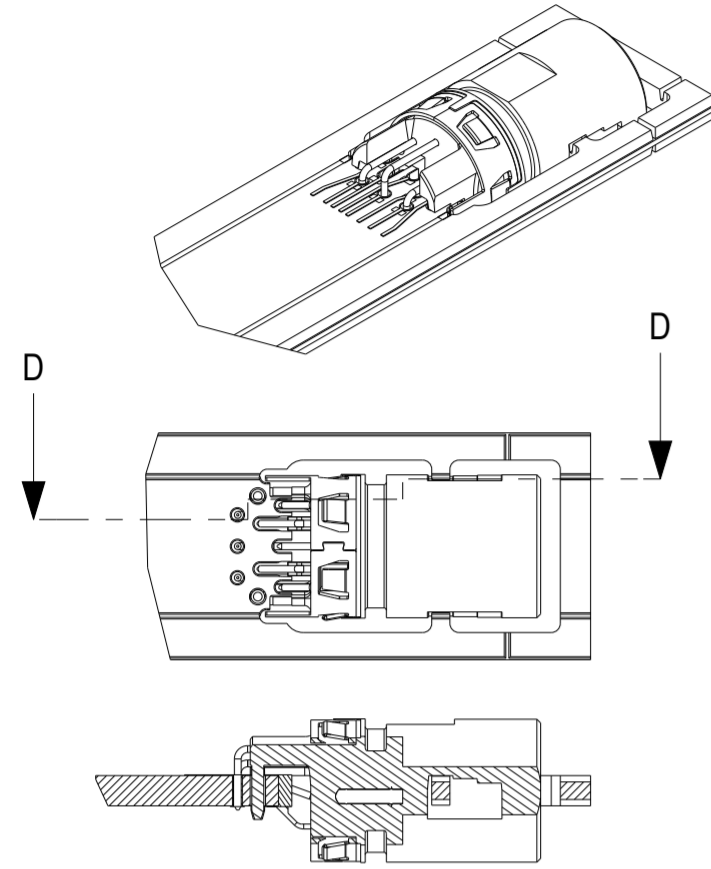


Leiterplatten Optionen / PCB options

Leiterplattendicke 2 mm  
Layoutempfehlung siehe 225508

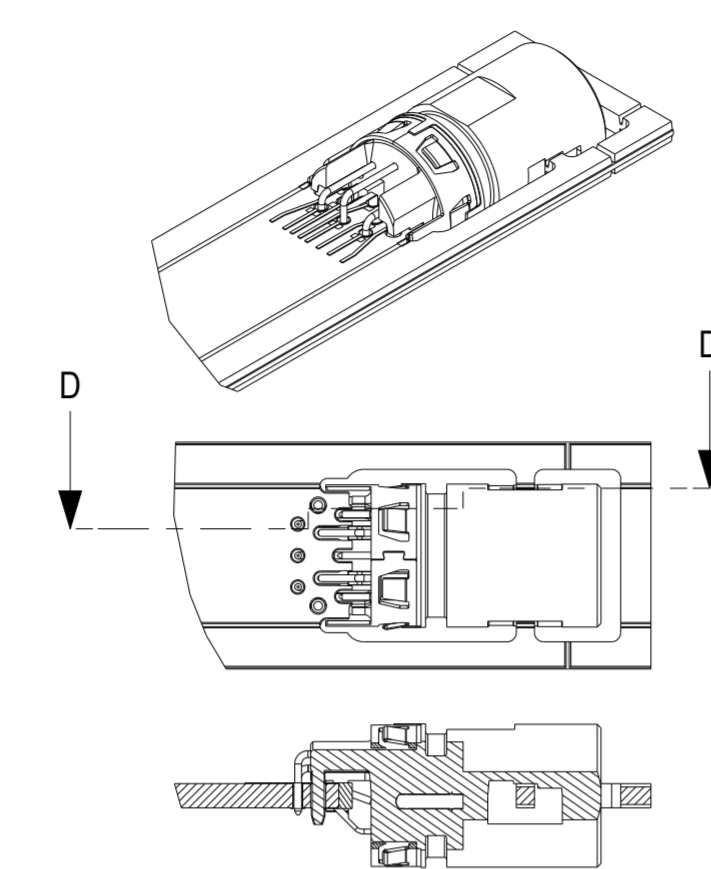
PCB thickness 2 mm  
For recommended dims see 225508



SCHNITT D-D  
SECTION D-D

Leiterplattendicke 1,6 mm  
Layoutempfehlung siehe 225508

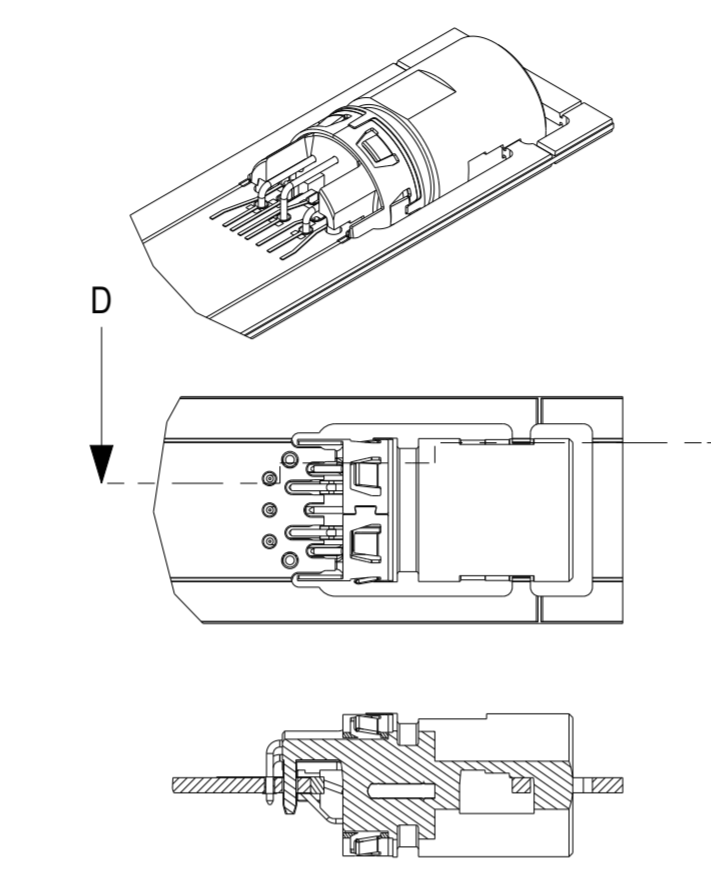
PCB thickness 1,6 mm  
For recommended dims see 225508



SCHNITT D-D  
SECTION D-D

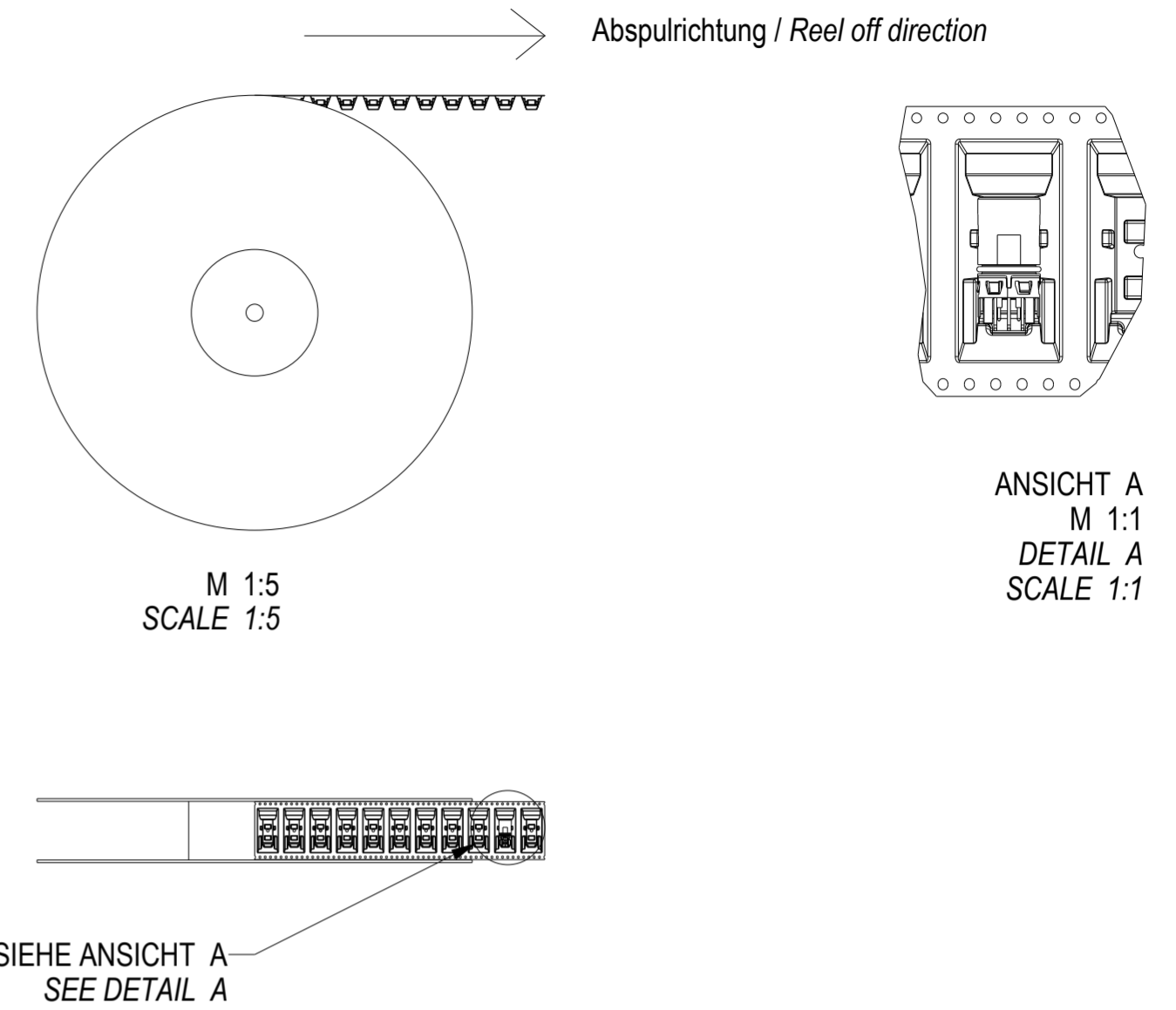
Leiterplattendicke 1 mm  
Layoutempfehlung siehe 225508

PCB thickness 1 mm  
For recommended dims see 225508



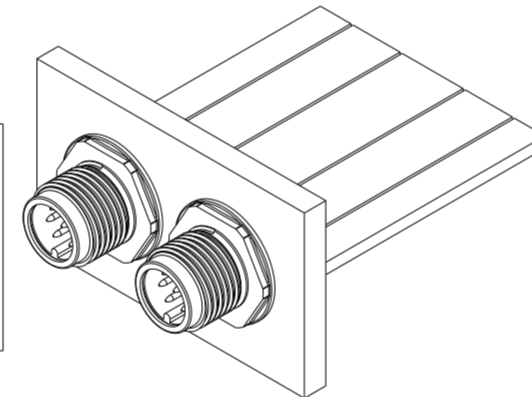
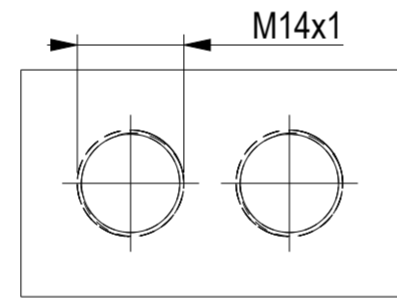
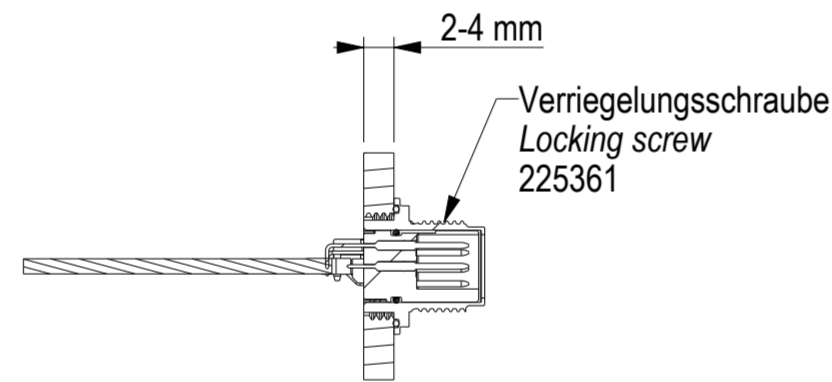
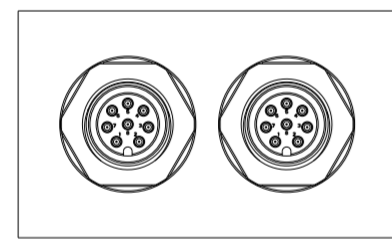
SCHNITT D-D  
SECTION D-D

Verpackung / Packaging tape and reel (T&R)

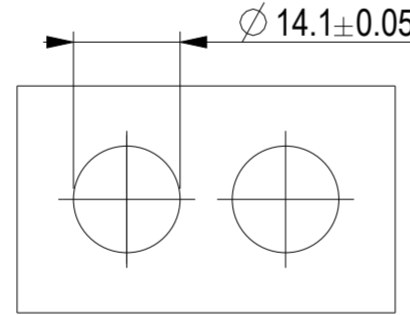
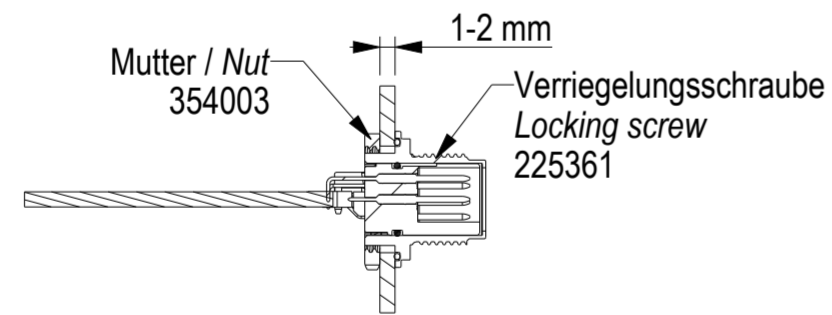
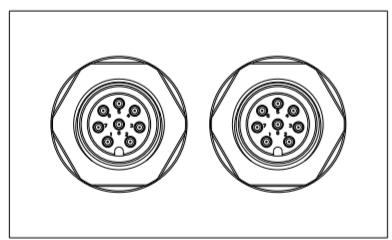


Anwendungsbeispiel / Application example

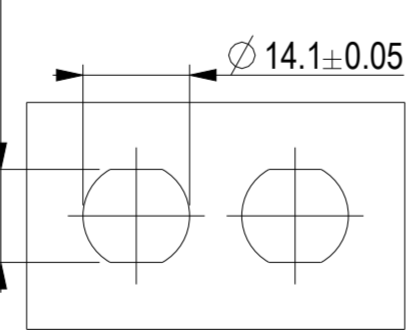
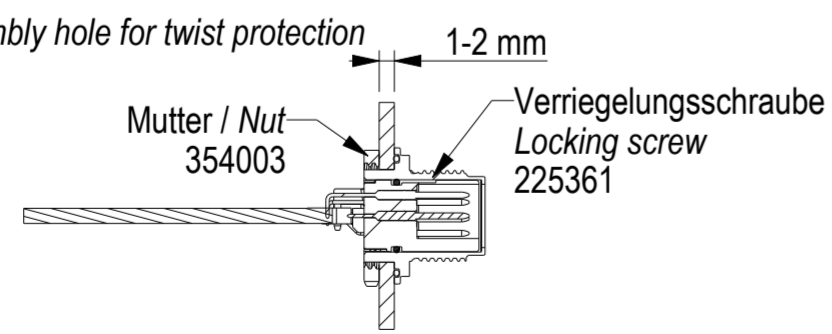
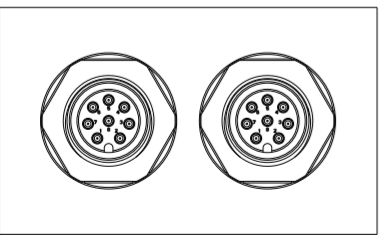
Gewinde-Löcher / Thread holes



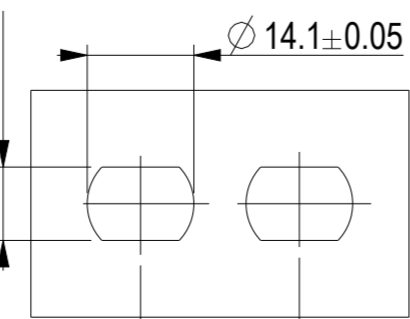
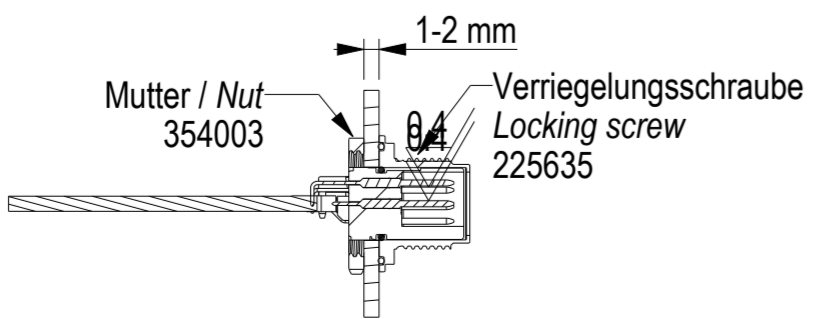
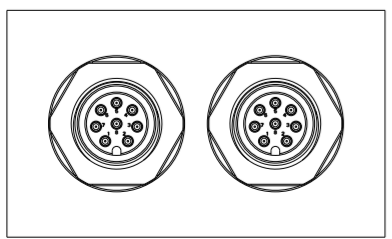
Standard-Löcher / Standard holes



Montageloch für Verdrehenschutz / Assembly hole for twist protection



Montageloch für Verdrehgeschützten Stecker / Assembly hole for anti twist protected connector



Maßempfehlung für Gehäuseintegration siehe 225406  
Recommended dimensions for integration in housing see 225406

Technische Daten siehe Document 225407  
Technical data see document 225407

225294	2	no	no	8	1,2,3,4,5,6,7,8	T&R	
225295	2	yes	no	8	1,2,3,4,5,6,7,8	T&R	
225454	2	no	yes	8	1,2,3,4,5,6,7,8	T&R	
225614	2+3	no	yes	8	1,2,3,4,5,6,7,8	T&R	Verdrehenschutz Anti twist
235045	2	yes	yes	8	1,2,3,4,5,6,7,8	T&R	
Ident-Nr. Ident No.	Zeichn. Blatt Drw. sheet	Schirm Shield	O-ring O-ring	Polzahl No. pins	Kontakt Nr. Contact No.	Verpackung Packaging	Bemerkung Remarks

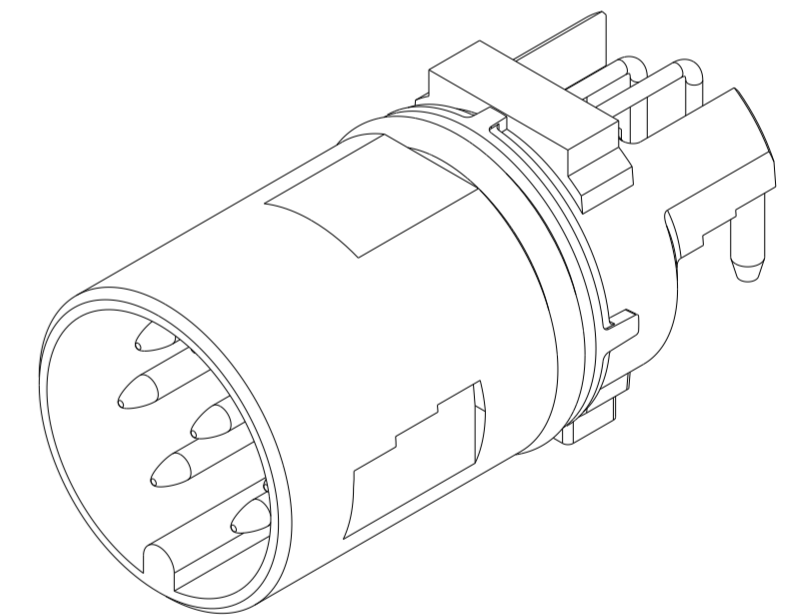
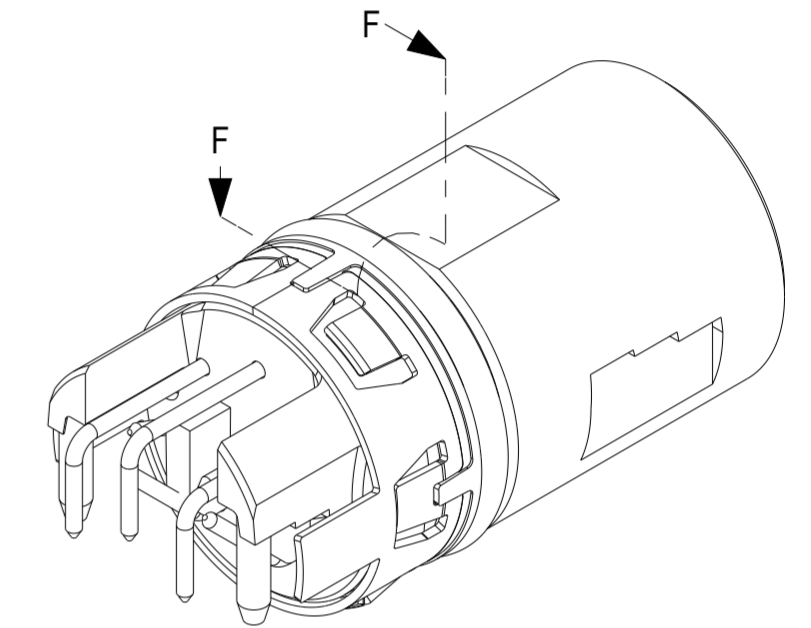
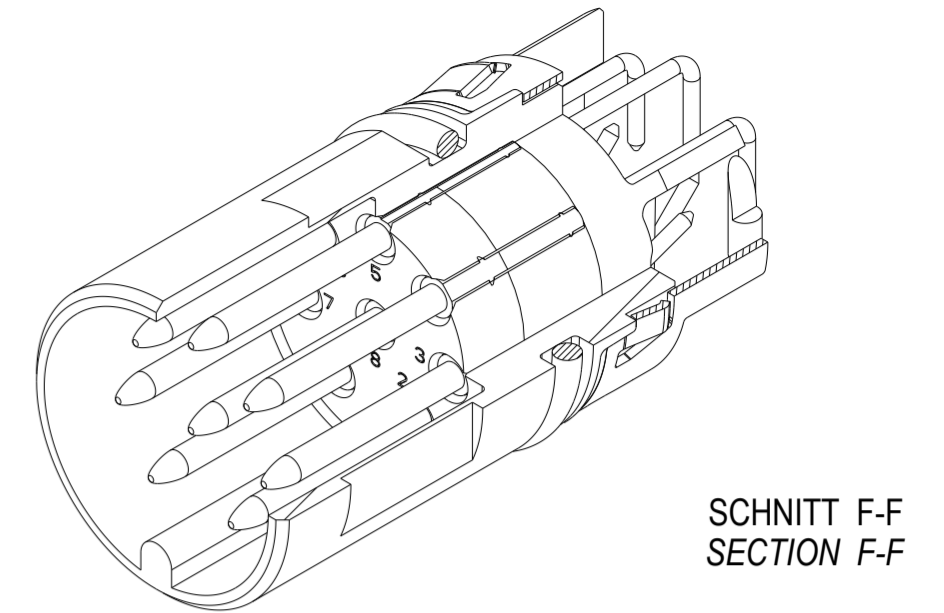
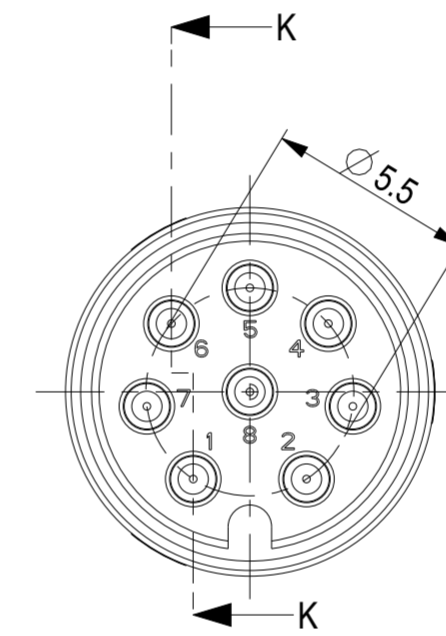
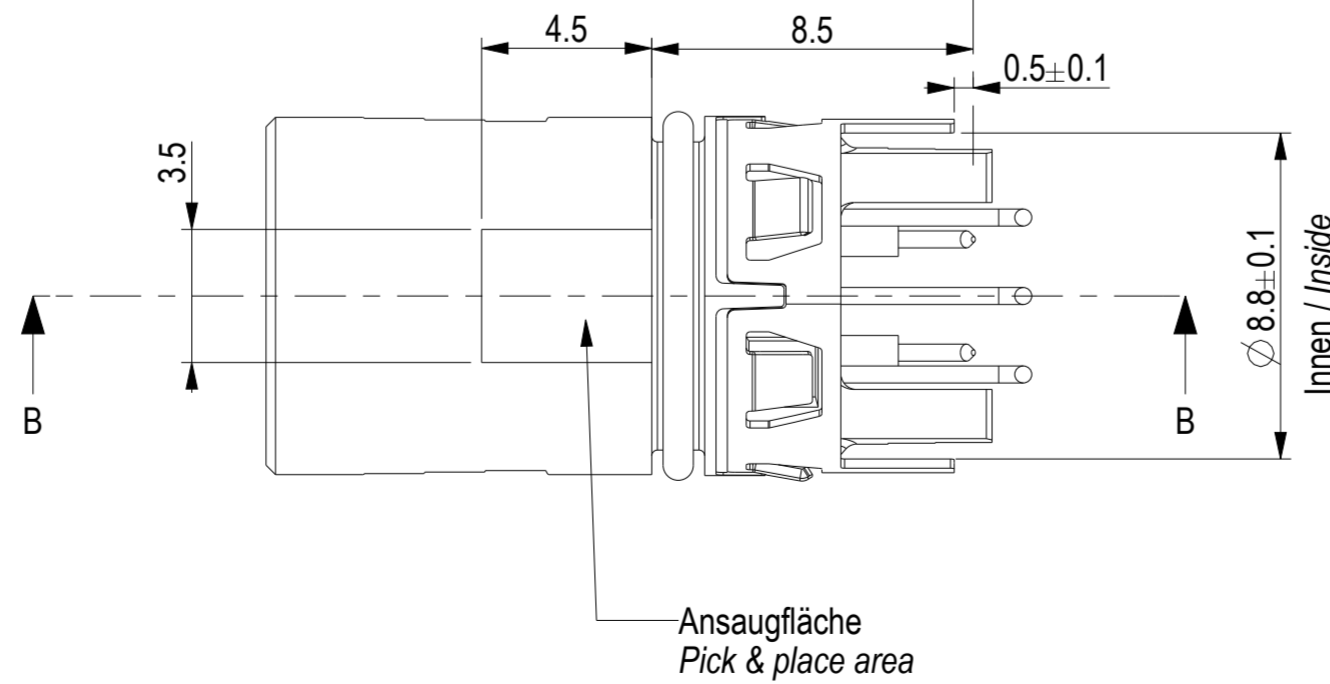
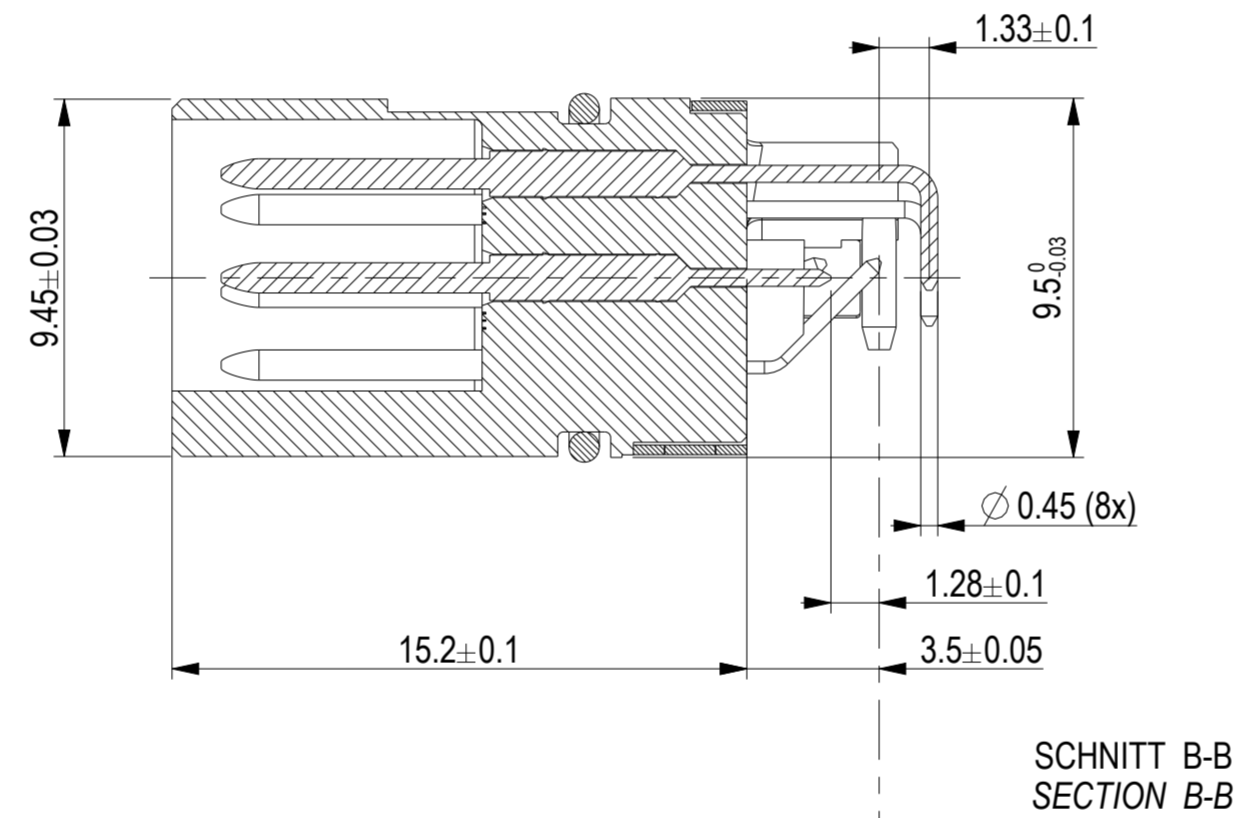
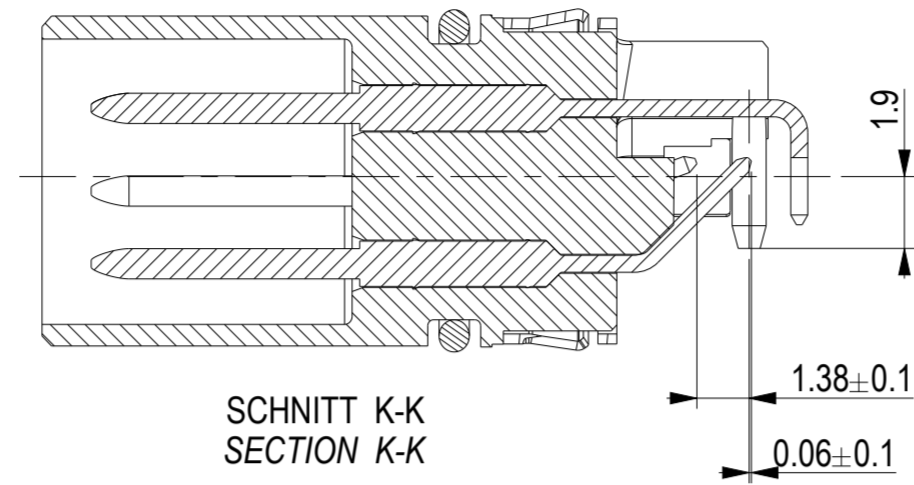
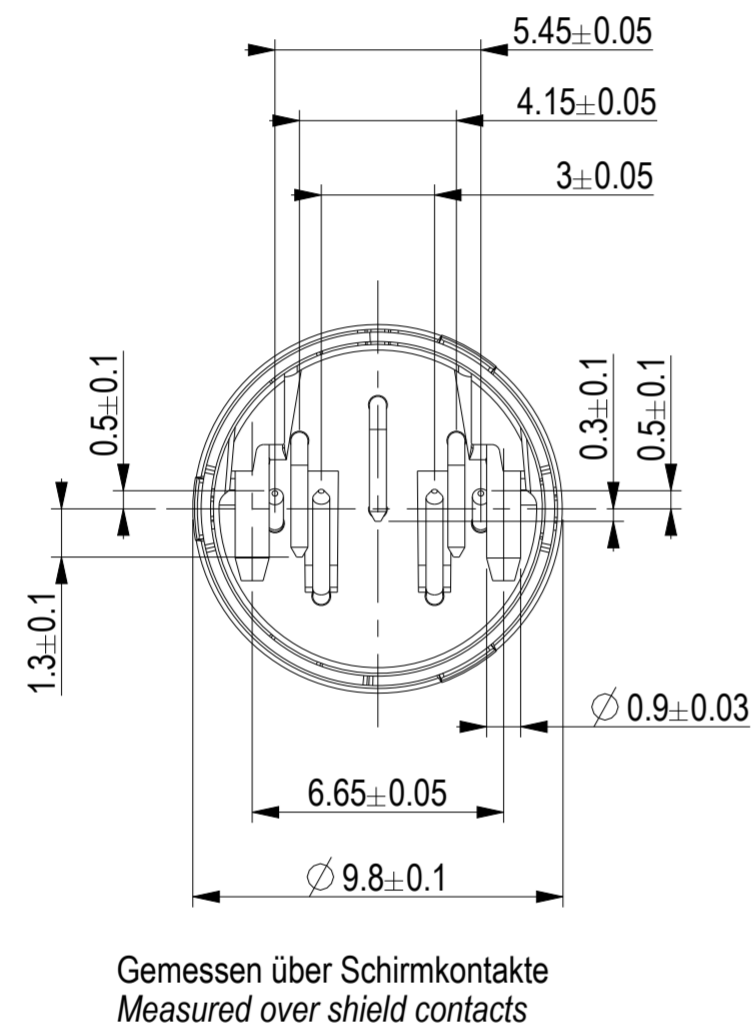
Copyright by ERNI GmbH  
Proprietary notice pursuant to ISO 16016 to be observed.

Information	Tolerances	Scale 2:1
All rights reserved. Only for information. To ensure that this is the latest version of this drawing, please contact one of the ERNI companies before using.	Subject to modification without prior notice. Drawing will not be updated.	Designation alle Varianten / all versions
A	30.09.14	ERNI www.ERNI.com
Index	Date	225296
		1 (1 / 3) A2
		Class M12

Handschriftliche Änderungen auf CAD Zeichnungen sind nicht zulässig!

Ident-Nr. Ident-No.	O-ring O-ring	Schirm Shield	Verdrehschutz Anti twist	Verguss Potting
225294	no	no	no	needed
225295	no	yes	no	recommended
225454	yes	no	no	needed
225614	yes	no	yes	not needed
235045	yes	yes	no	recommended

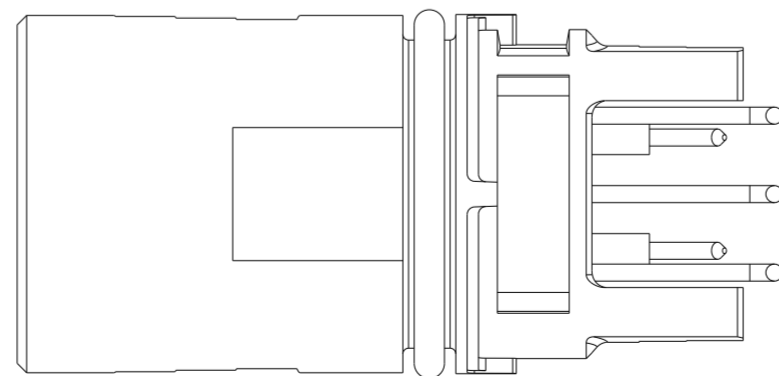
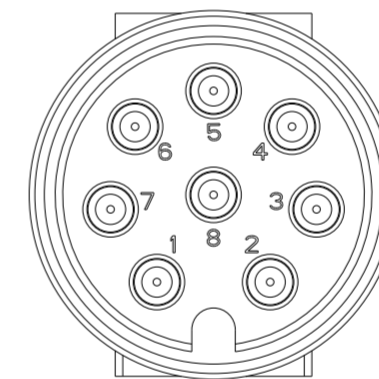
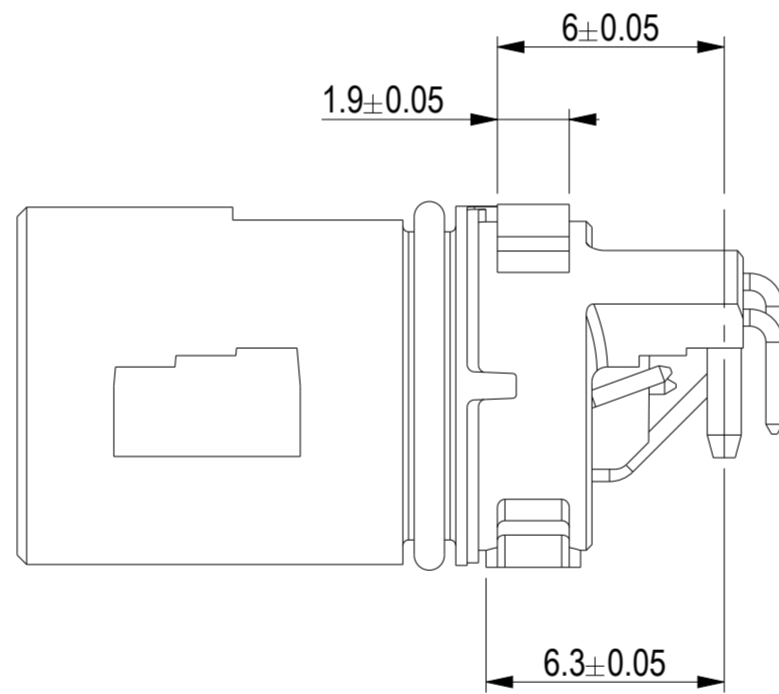
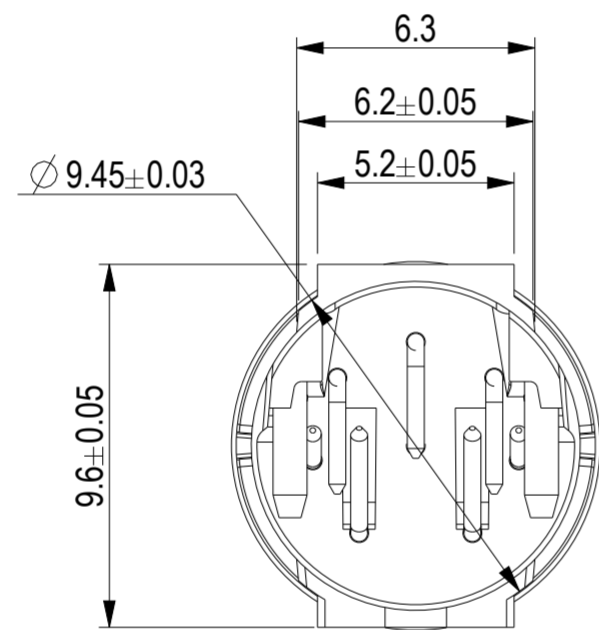
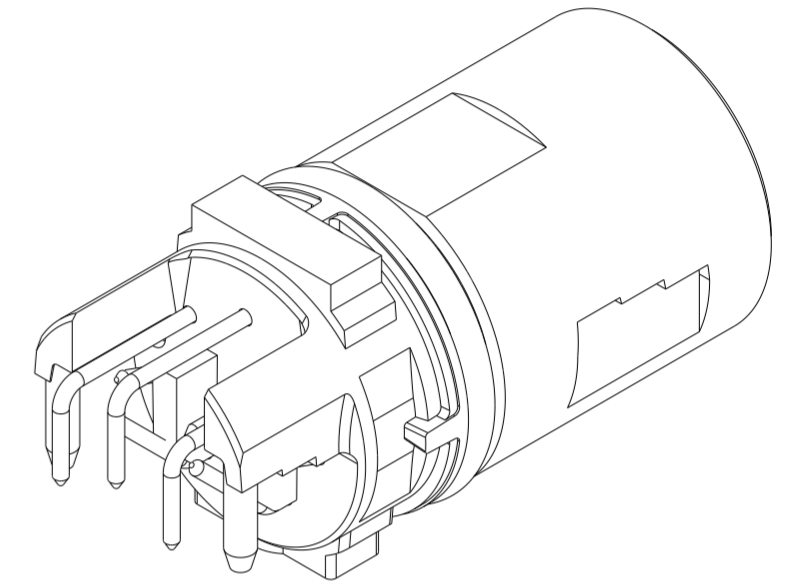
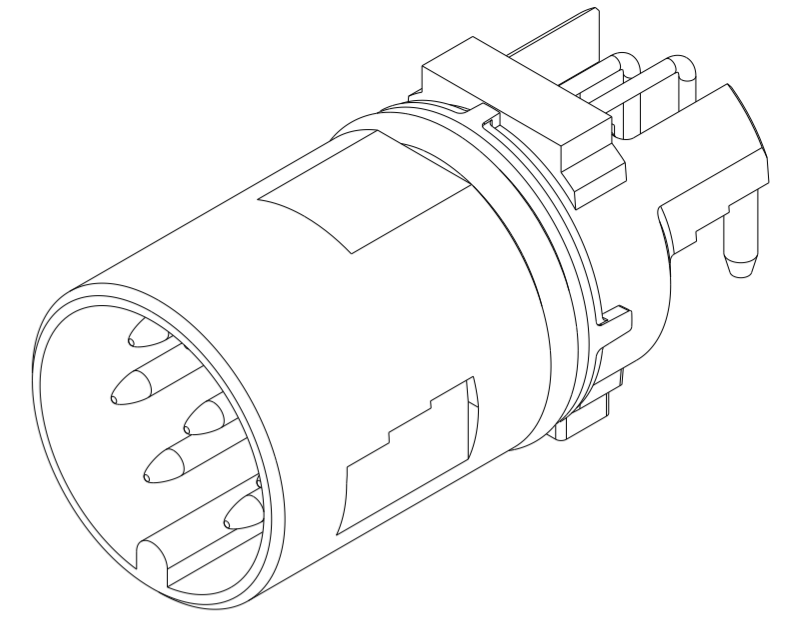
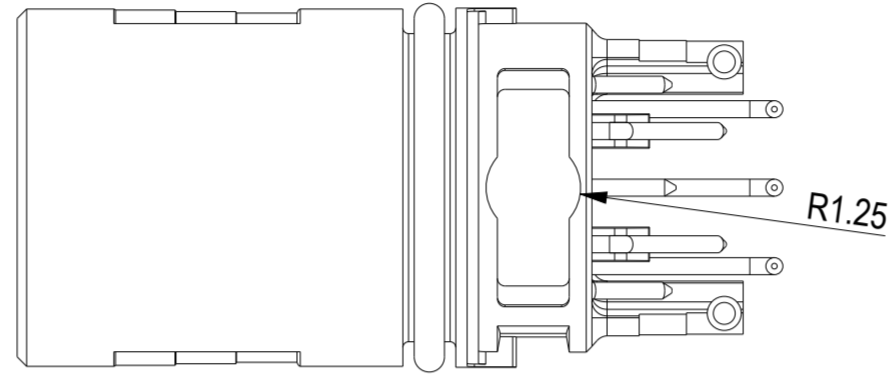
Darstellung mit Schirm und O-Ring  
Drawn with shield and O-ring



Steckgesicht nach IEC 61076-2-101  
Mating face acc. IEC 61076-2-101

Information		Tolerances	Scale 5:1
All rights reserved. Only for information. To ensure that this is the latest version of this drawing, please contact one of the ERNI companies before using.		All Dimensions in mm	
Subject to modification without prior notice. Drawing will not be updated.		Designation 8 polige Version / 8 pin version	
ERNI www.ERNI.com		M12 90° M A THR Rückmontage M12 90° M A THR rear mount	
A	30.09.14	225296	
Index	Date	Class M12	
		I (2 / 3) A2	

Ident-Nr. <i>Ident-No.</i>	O-ring <i>O-ring</i>	Schirm <i>Shield</i>	Verdrehschutz <i>Anti twist</i>	Verguss <i>Potting</i>
225614	yes	no	yes	not needed



Steckgesicht nach IEC 61076-2-101  
Mating face acc. IEC 61076-2-101

Für alle anderen Informationen und Abmessungen siehe Blatt 2  
For all other information and dimensions see sheet 2

<small>Copyright by ERNI GmbH Proprietary notice pursuant to ISO 18016 to be observed.</small>	Information	Tolerances	 All Dimensions in mm	Scale	5:1
	All rights reserved. Only for information. To ensure that this is the latest version of this drawing, please contact one of the ERNI companies before using.	Subject to modification without prior notice. Drawing will not be updated.	Designation 8 polige Version / 8 pin version <b>M12 90° M A THR Rückmontage</b> <b>M12 90° M A THR rear mount</b>	 www.ERNI.com	225296
A Index	30.09.14 Date	Class M12			