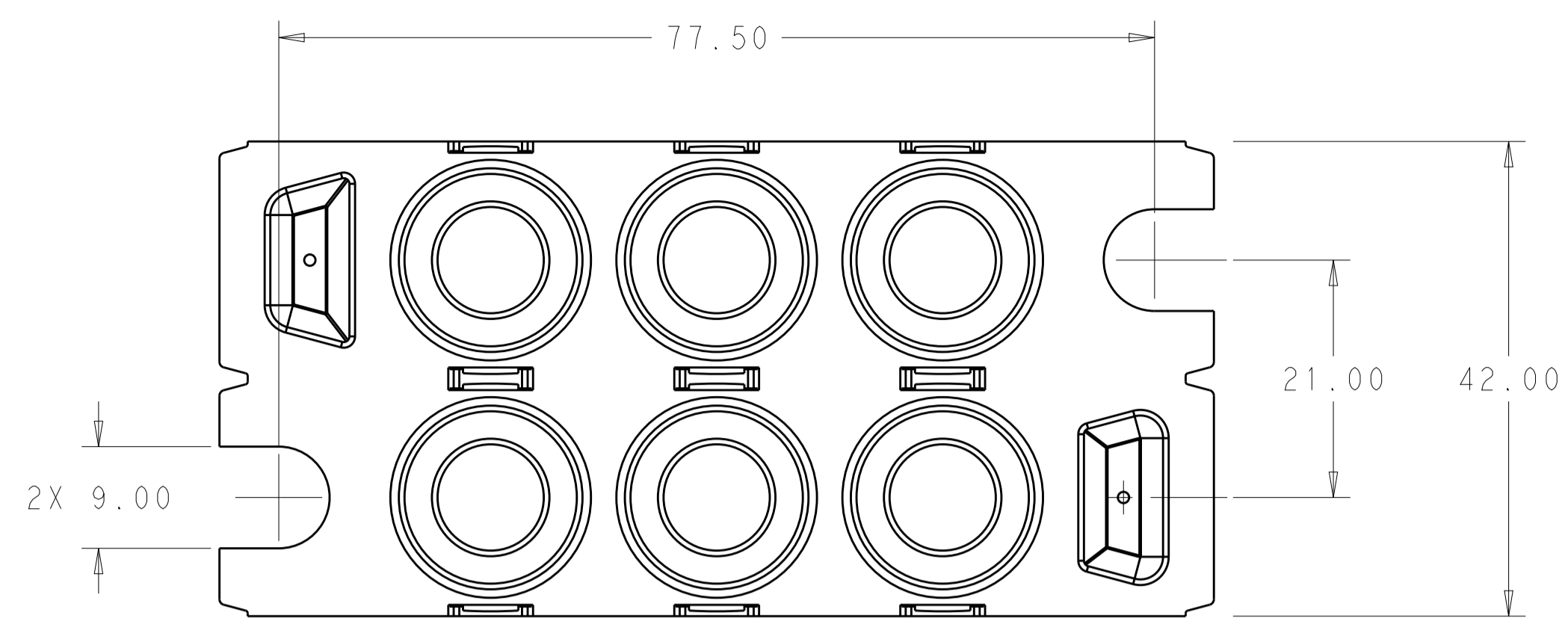
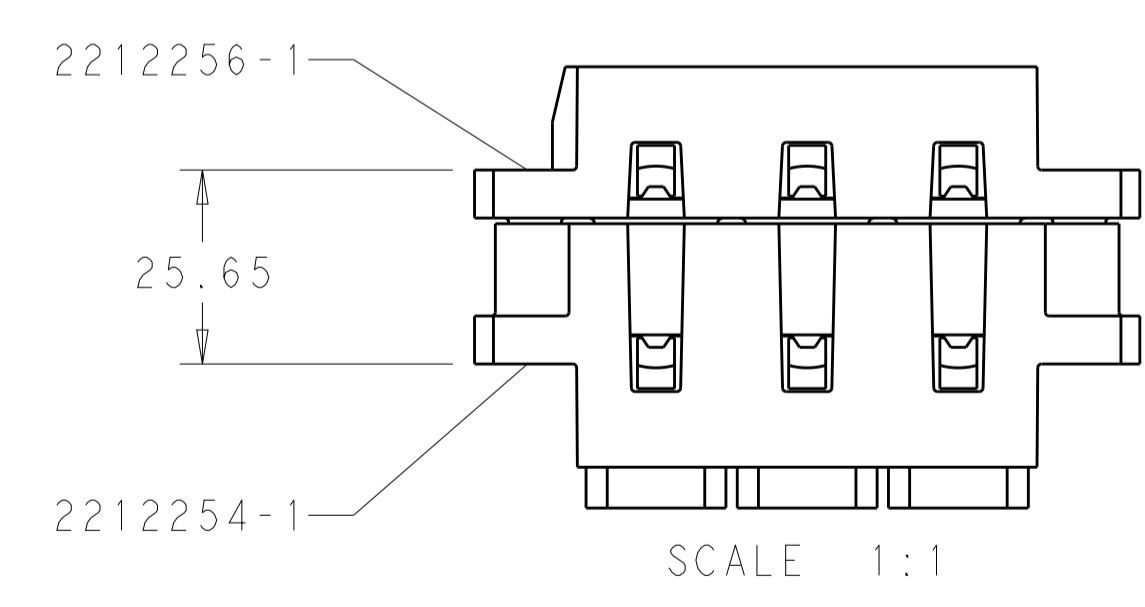
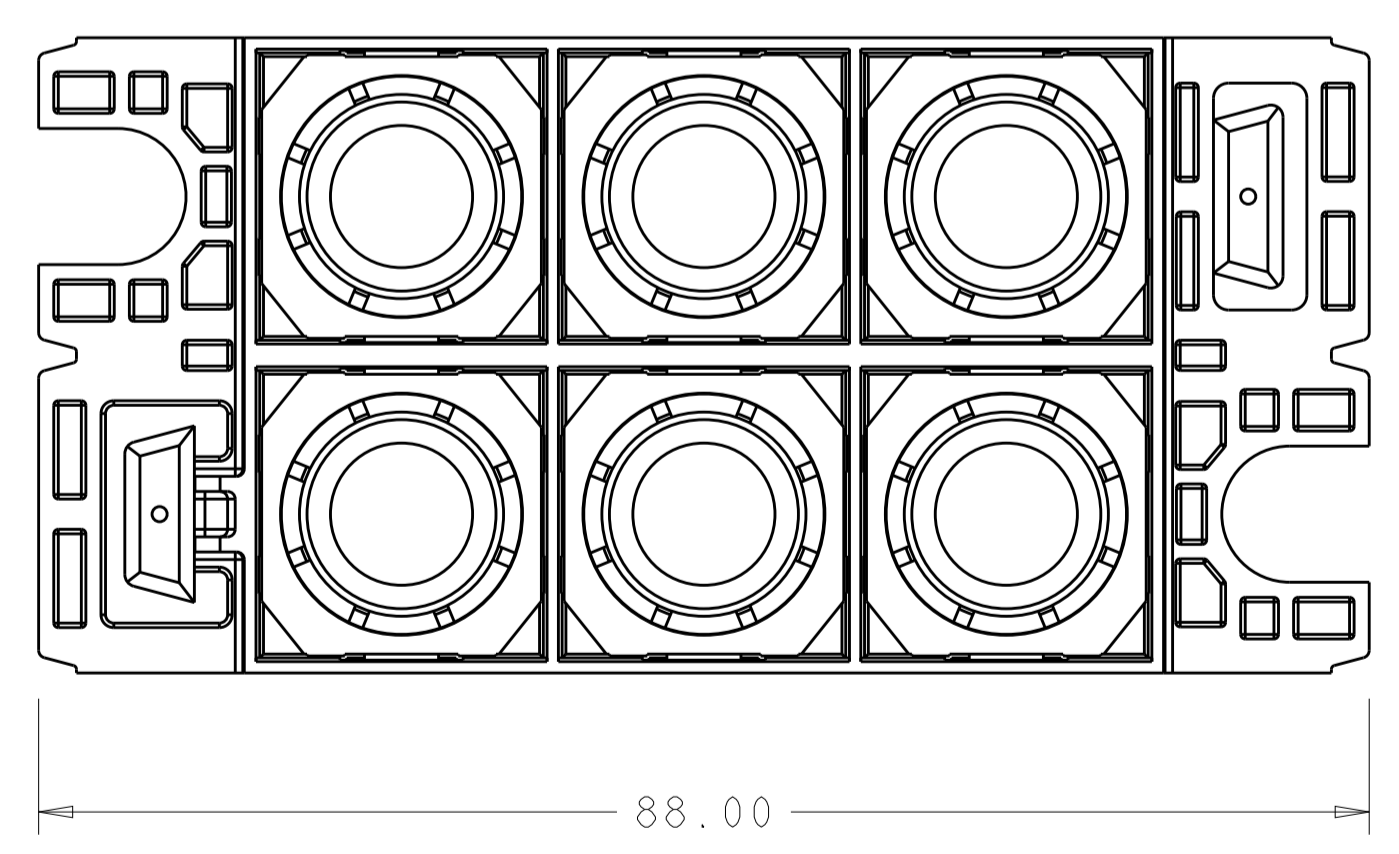
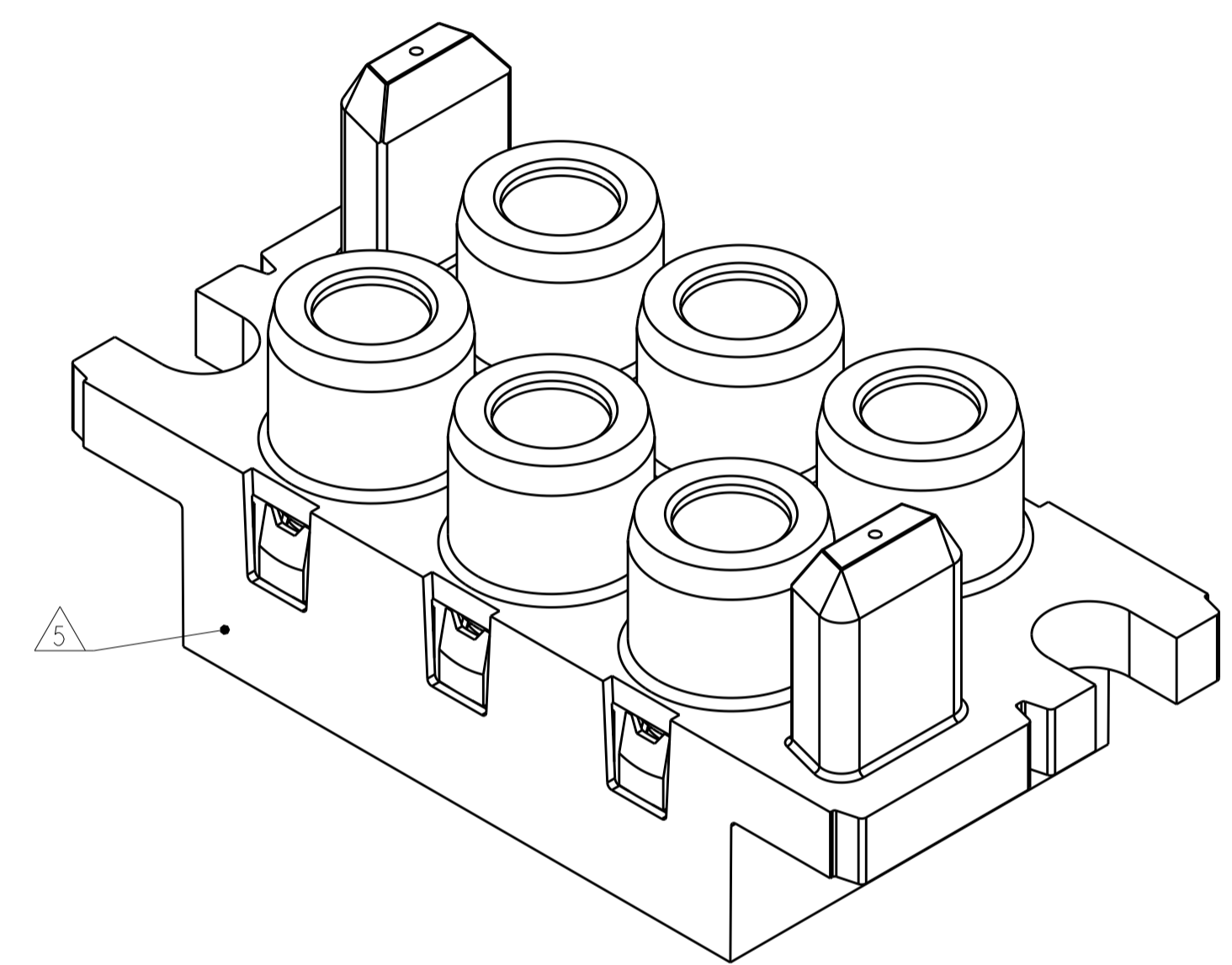
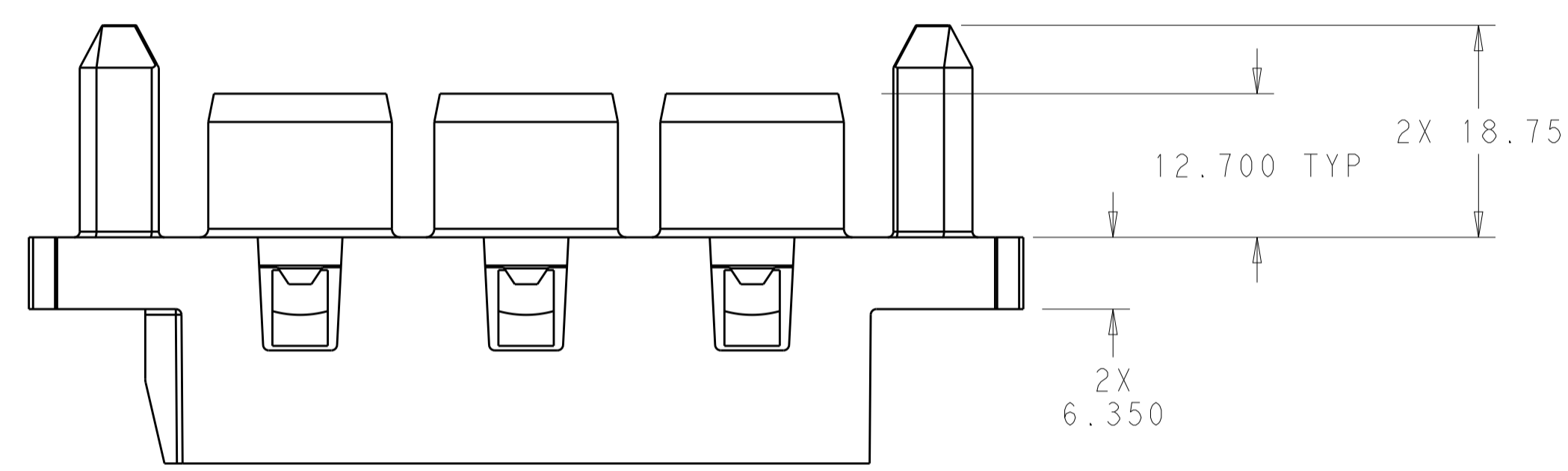
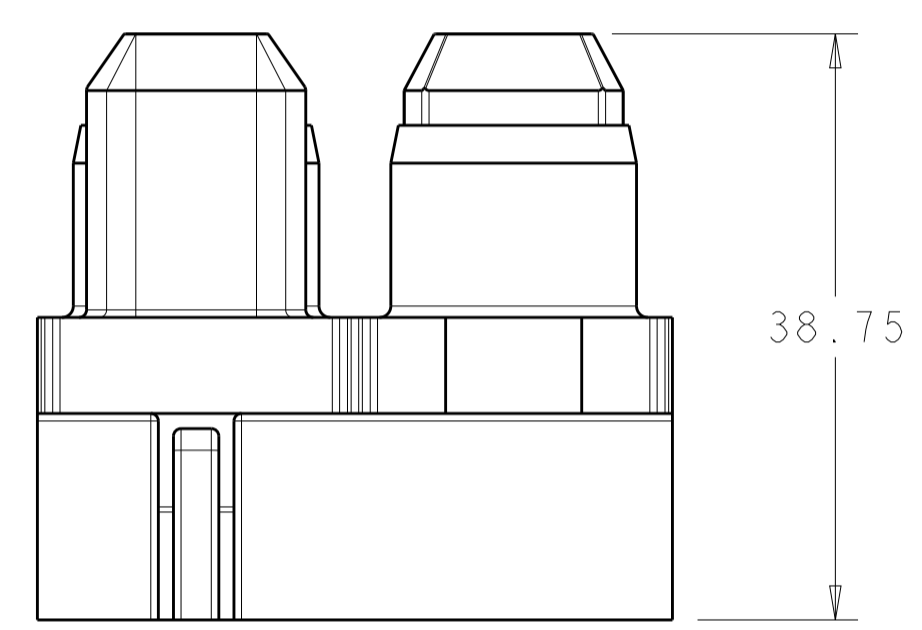


LOC	DIST	REV	DATE	BY	CHK	APPV
-	-	2	10FEB2015	RT	EW	



- △ HOUSING: THERMOPLASTIC, COLOR BLACK, FLAMMABILITY RATING UL 94 V-0.
- △ THIS ASSEMBLY TO MATE WITH TEC PART NUMBER 2212254-1.
- 3. RECOMMENDED SHOULDER SCREW:  
2212056, FLOAT MOUNT  
2212055, FIXED MOUNT
- △ RECOMMENDED PANEL CUTOUT FOR FRONT PANEL MOUNT APPLICATION.  
RECOMMENDED PANEL THICKNESS 1.5 TO 1.78.
- △ DATE CODE AND PART NUMBER IN APPROXIMATE AREA SHOWN.

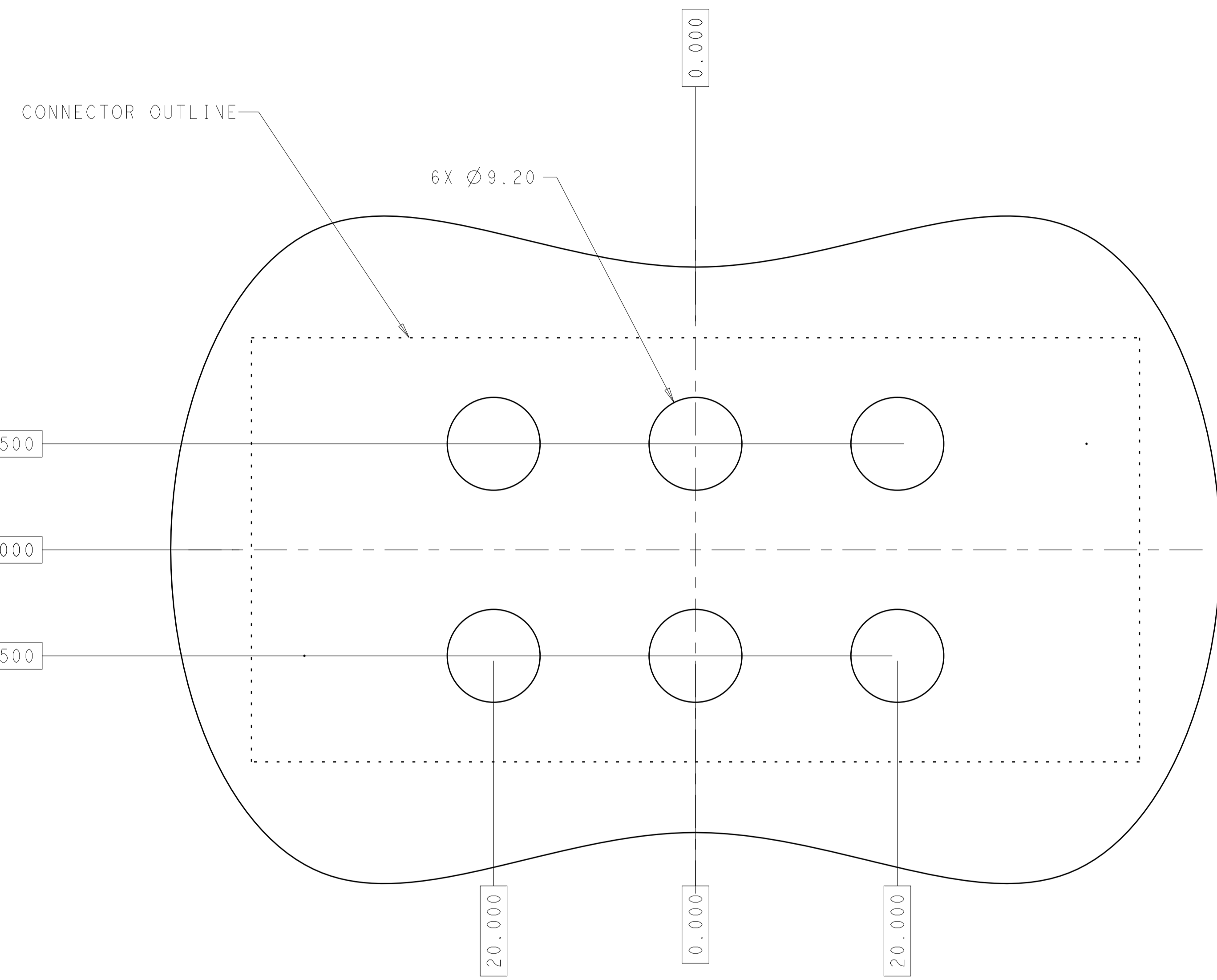


CONNECTOR, SOCKET, FORGE 6x#0,0x#4,0x#8,0x#12,0x#22, 2212256-1  
DESCRIPTION PART NO.

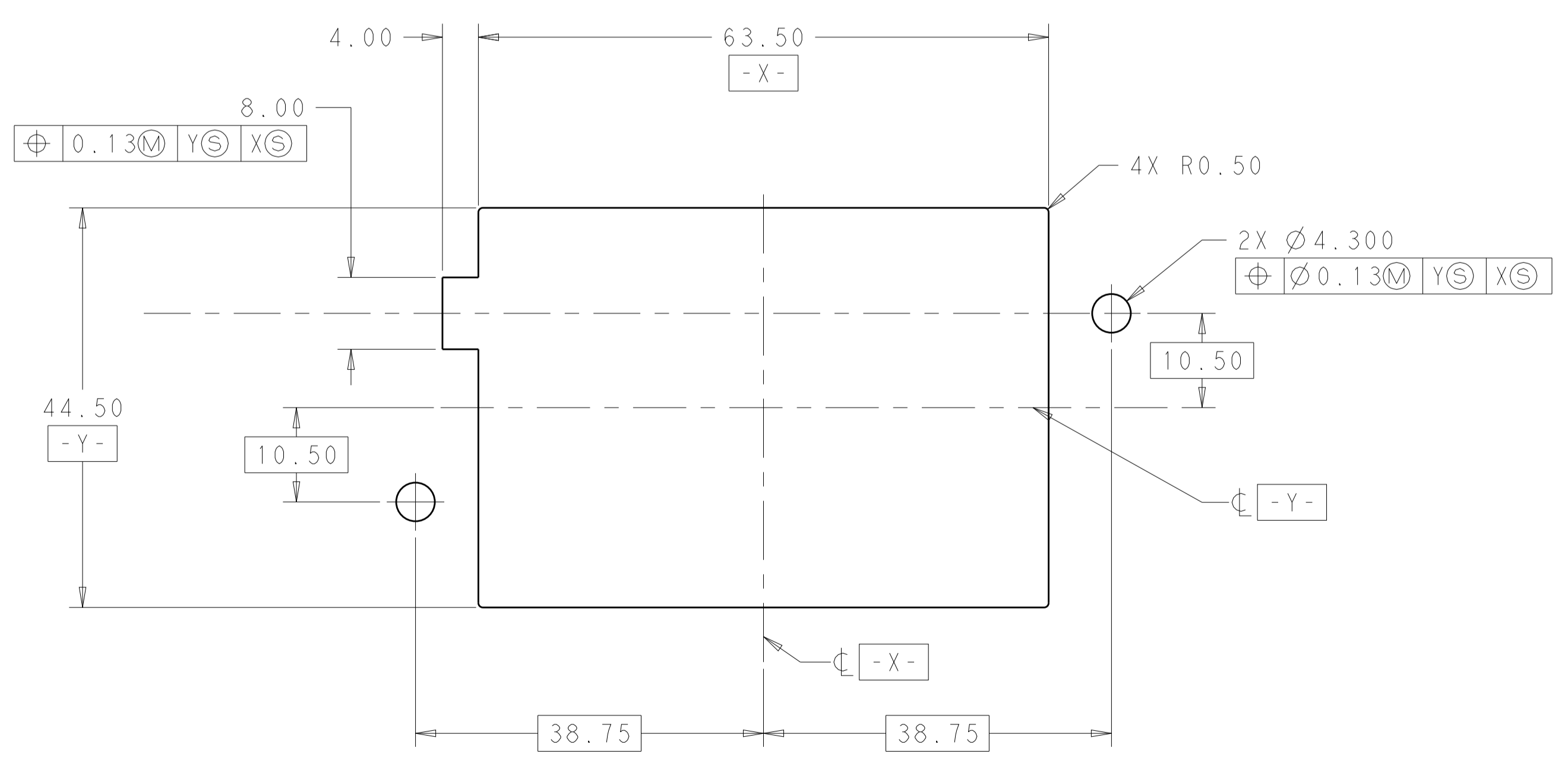
THIS PRINT IS  
**PRELIMINARY**  
UNQUALIFIED PRODUCT  
CONTACT PRODUCT ENGINEERING  
BEFORE USING THIS PRINT

THIS DRAWING IS A CONTROLLED DOCUMENT.		OWN: R. TREA 23DEC2014	TE Connectivity
DIMENSIONS: mm		CHK: E. WICKES 23DEC2014	
TOLERANCES UNLESS OTHERWISE SPECIFIED:		APPV: S. STRICKLER 23DEC2014	NAME: CONNECTOR, SOCKET, FORGE
0 PLC ±N/A	1 PLC ±N/A	PRODUCT SPEC	6x#0,0x#4,0x#8,0x#12,0x#22
2 PLC ±0.25	3 PLC ±0.13	APPLICATION SPEC	CONFIGURATION
4 PLC ±N/A	ANGLES ±N/A	FINISH	SIZE: A1
MATERIAL: △	FINISH: △	WEIGHT: △	CAGE CODE: 100779
		Customer Drawing	DRAWING NO: 2212256
		SCALE: 2:1	SHEET 1 OF 2
			REV 2

LOC		DIST		REVISIONS			
P	LTN	DESCRIPTION	DATE	DMN	APVD		
-	-	SEE SHEET 1	-	-	-		



PCB LAYOUT  
SCALE 3:1



RECOMMENDED PANEL CUTOUT  
SCALE 2:1

THIS DRAWING IS A CONTROLLED DOCUMENT.		DMN R. IREA	23DEC2014		TE Connectivity
DIMENSIONS:		CHK E. WICKES	23DEC2014		
mm	TOLERANCES UNLESS OTHERWISE SPECIFIED:	APVD S. STRICKLER	23DEC2014	NAME CONNECTOR, SOCKET, FORGE	
0 PLC	±N/A	PRODUCT SPEC		6x#0, 0x#4, 0x#8, 0x#12, 0x#22	
1 PLC	±N/A	108-2323		CONFIGURATION	
2 PLC	±0.25	APPLICATION SPEC		SIZE	
3 PLC	±0.13	114-13299		CAGE CODE	
4 PLC	±N/A	WEIGHT		DRAWING NO	
ANGLES	±N/A	A100779		C=2212256	
MATERIAL	FINISH	Customer Drawing		RESTRICTED TO	
		SCALE 2:1		SHEET 2 OF 2	
				REV 2	