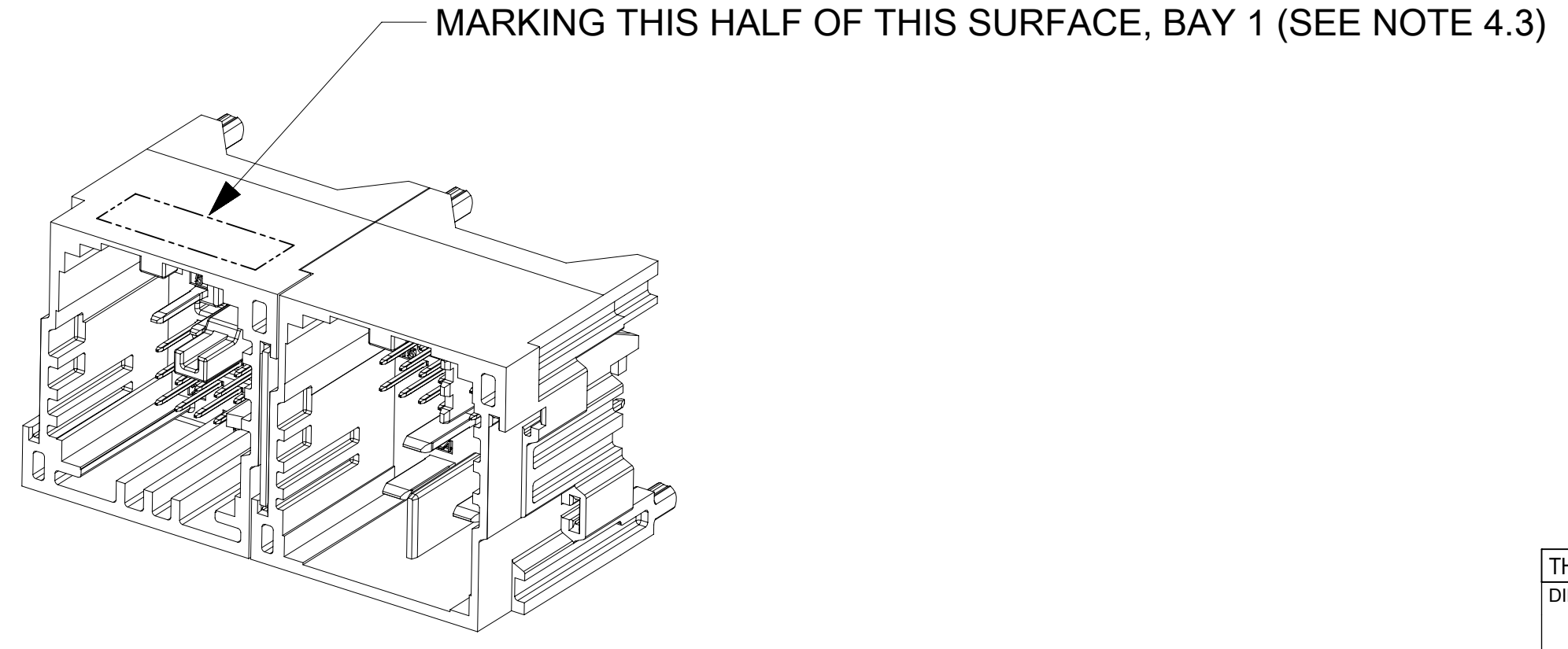


- NOTES: VALID UNLESS OTHERWISE SPECIFIED
- GENERAL:
    - APPLICATION SPECIFICATION 2005060000-AS
    - PRODUCT SPECIFICATION 2005060001-PS CLASSIFICATIONS T1V1S1 TO GMW 3191 2012
    - PACKAGING SPECIFICATION PER MOLEX DRAWING
  - DESIGN - MATERIALS:
    - HOUSING: SPS 30% GF
    - BLADE TERMINALS:
      - 0.5MM BLADES  
BASE MATERIAL: COPPER ALLOY  
CONDUCTIVITY > 28% IACS @ 20°C  
UNDERPLATE: OVERALL NICKEL  
OVERPLATE: OVERALL TIN
      - 1.2MM BLADES  
BASE MATERIAL: COPPER ALLOY  
CONDUCTIVITY > 28% IACS @ 20°C  
UNDERPLATE: OVERALL NICKEL  
OVERPLATE: OVERALL TIN
      - 2.8MM BLADES  
BASE MATERIAL: COPPER ALLOY  
CONDUCTIVITY > 40% IACS @ 20°C  
UNDERPLATE: OVERALL NICKEL  
OVERPLATE: OVERALL TIN
    - FASTENER: STAINLESS STEEL
  - DESIGN - GEOMETRY:
    - ALL GRAPHIC DATA IS BASIC (NO TOLERANCE) AND MUST BE TAKEN FROM THE DATA FILE AT ITS LATEST REVISION
    - PRODUCT DESIGN MODEL NUMBER: SEE CHART. MODEL NUMBERS SAME AS PART NUMBERS.
    - GEOMETRIC DIMENSIONS AND TOLERANCES PER ASME Y14.5-2009
    - EDGES OF UNDEFINED SHAPE PER ISO 13715
    - CORNERS SHOWN AS SHARP TO BE R 0.4 MAX
    - LETTERING SHALL BE MAX POSSIBLE FOR READABILITY. THIS INCLUDES RECYCLING CODE, CAVITY ID, VENDOR IDENTIFICATION, AND CUSTOMER MATERIAL NUMBER.
    - FOR BAY/POCKET DEFINITION SEE MOLEX INTERFACE DRAWINGS IN CHART. FUNCTIONAL APPLIES TO ALL FUNCTIONALS IN INTERFACE DRAWINGS.
    - [G] DENOTES DIMENSIONS TO BE QUALIFIED WITH GAGE FOR PPAP AND IN PROCESS QUALITY CHECKS.
  - DESIGN - MANUFACTURING:
    - VISUAL DEFECTS SHALL MEET MOLEX COSMETIC STANDARD PS-45499-002 (CLASS B)
    - REFLOW SOLDERABILITY PER SMES-152
    - LASER ETCHED PART MARKING (1.5mm HEIGHT) CODED AS FOLLOWS  
ROW 1: "YYDDHHMMSS"  
- DATE AND TIME CODE  
ROW 2: "XXXX" OR "XXXX\_X"  
- "XXXX" IS LAST 5 DIGITS OF PART NO AND DENOTES ORIGINAL ASSEMBLY LINE  
- ".X" DENOTES CAPACITY ASSEMBLY LINE SUCH AS ".B" OR MORE IN FUTURE



| BAY QTY | DIM A |
|---------|-------|
| 2       | 49.1  |
| 3       | 72.5  |
| 4       | 95.9  |
| 5       | 119.3 |
| 6       | 142.7 |
| 7       | 166.1 |

| SEE SHEET 2 |             |
|-------------|-------------|
| REVISION    | DESCRIPTION |
|             |             |

THIS DRAWING CONTAINS INFORMATION THAT IS PROPRIETARY TO MOLEX ELECTRONIC TECHNOLOGIES, LLC AND SHOULD NOT BE USED WITHOUT WRITTEN PERMISSION

|  |                        |                                      |                     |
|--|------------------------|--------------------------------------|---------------------|
| DIMENSION UNITS: mm                                  | SCALE: 4:1             | CURRENT REV DESC: SEE REVISION TABLE |                     |
| GENERAL TOLERANCES (UNLESS SPECIFIED)                |                        | EC NO: 684964                        |                     |
| ANGULAR TOL ± °                                      |                        | DRWN: RGV                            | 2021/11/11          |
| 4 PLACES ± 0.0                                       |                        | CHK'D: JCONDON                       | 2021/11/11          |
| 3 PLACES ± 0.0                                       |                        | APPR: JCONDON                        | 2021/11/11          |
| 2 PLACES ± 0.13                                      |                        | INITIAL REVISION:                    |                     |
| 1 PLACE ± 0.25                                       |                        | DRWN: JRUTTER                        | 2016/05/04          |
| 0 PLACES ± 0.0                                       |                        | APPR: KDEKOSKI                       | 2016/06/17          |
| DRAFT WHERE APPLICABLE MUST REMAIN WITHIN DIMENSIONS | THIRD ANGLE PROJECTION | DRAWING: D-SIZE                      | SERIES: 200505      |
| INSPECTION BALLOON NUMBER LOG                        |                        | MATERIAL NUMBER: 2005050000          | CUSTOMER: SEE CHART |
| PER DRAWING REVISION: C10                            |                        | DOCUMENT NUMBER: 2005050000          |                     |
| LAST BALLOON NUMBER: 17                              |                        | DOC TYPE: PSD                        | DOC PART: 000       |
| ADDED BALLOON NUMBER: NONE                           |                        | REVISION: C11                        |                     |
| DELETED BALLOON NUMBER: NONE                         |                        | SHEET NUMBER: 1 OF 4                 |                     |

STAK50H MODULAR HEADER VERT MULTIPLE BAY



PRODUCT CUSTOMER DRAWING

| ASSEMBLY PART NO. | SINGLE BAY ASSEMBLY PART NUMBER PER LOCATION |            |              |              |              |              |              | PACKAGING |
|-------------------|--|------------|--------------|--------------|--------------|--------------|--------------|-----------|
|                   | 1  | 2          | 3            | 4            | 5            | 6            | 7            |           |
| 2005052003        | 2005010281                                   | 2005010251 | -----NA----- | -----NA----- | -----NA----- | -----NA----- | -----NA----- | TUBE      |
| 2005053001        | 2005010271                                   | 2005010272 | 2005010321   | -----NA----- | -----NA----- | -----NA----- | -----NA----- | TUBE      |
| 2005054001        | 2005010251                                   | 2005010281 | 2005010321   | 2005010282   | -----NA----- | -----NA----- | -----NA----- | TUBE      |
| 2005053002        | 2005010271                                   | 2005010273 | 2005010322   | -----NA----- | -----NA----- | -----NA----- | -----NA----- | TUBE      |
| 2005053003        | 2005010252                                   | 2005010271 | 2005010322   | -----NA----- | -----NA----- | -----NA----- | -----NA----- | TUBE      |
| 2005052004        | 2005010322                                   | 2005010122 | -----NA----- | -----NA----- | -----NA----- | -----NA----- | -----NA----- | TUBE      |
| 2005053004        | 2005010122                                   | 2005010322 | 2005010324   | -----NA----- | -----NA----- | -----NA----- | -----NA----- | TUBE      |
| 2005052007        | 2005010322                                   | 2005010324 | -----NA----- | -----NA----- | -----NA----- | -----NA----- | -----NA----- | TUBE      |
| 2005053009        | 2005010121                                   | 2005010281 | 2005010251   | -----NA----- | -----NA----- | -----NA----- | -----NA----- | TUBE      |
| 2005056001        | 2005010281                                   | 2005010322 | 2005010253   | 2005010122   | 2005010324   | 2005010273   | -----NA----- | TUBE      |
| 2005053010        | 2005010321                                   | 2005010323 | 2005010324   | -----NA----- | -----NA----- | -----NA----- | -----NA----- | TUBE      |
| 2005053011        | 2005010323                                   | 2005010324 | 2005010252   | -----NA----- | -----NA----- | -----NA----- | -----NA----- | TUBE      |
| 2005054002        | 2005010321                                   | 2005010281 | 2005010251   | 2005010322   | -----NA----- | -----NA----- | -----NA----- | TUBE      |
| 2005052005        | 2005010322                                   | 2005010122 | -----NA----- | -----NA----- | -----NA----- | -----NA----- | -----NA----- | TRAY      |
| 2005052009        | 2005010251                                   | 2005010252 | -----NA----- | -----NA----- | -----NA----- | -----NA----- | -----NA----- | TUBE      |
| 2005055004        | 2005010321                                   | 2005010322 | 2005010323   | 2005010324   | 2005010251   | -----NA----- | -----NA----- | TUBE      |
| 2005052011        | 2005010252                                   | 2005010323 | -----NA----- | -----NA----- | -----NA----- | -----NA----- | -----NA----- | TUBE      |
| 2005052012        | 2005010122                                   | 2005010322 | -----NA----- | -----NA----- | -----NA----- | -----NA----- | -----NA----- | TUBE      |
| 2005053012        | 2005010324                                   | 2005010322 | 2005010122   | -----NA----- | -----NA----- | -----NA----- | -----NA----- | TUBE      |
| 2005052013        | 2005010251                                   | 2005010271 | -----NA----- | -----NA----- | -----NA----- | -----NA----- | -----NA----- | TUBE      |

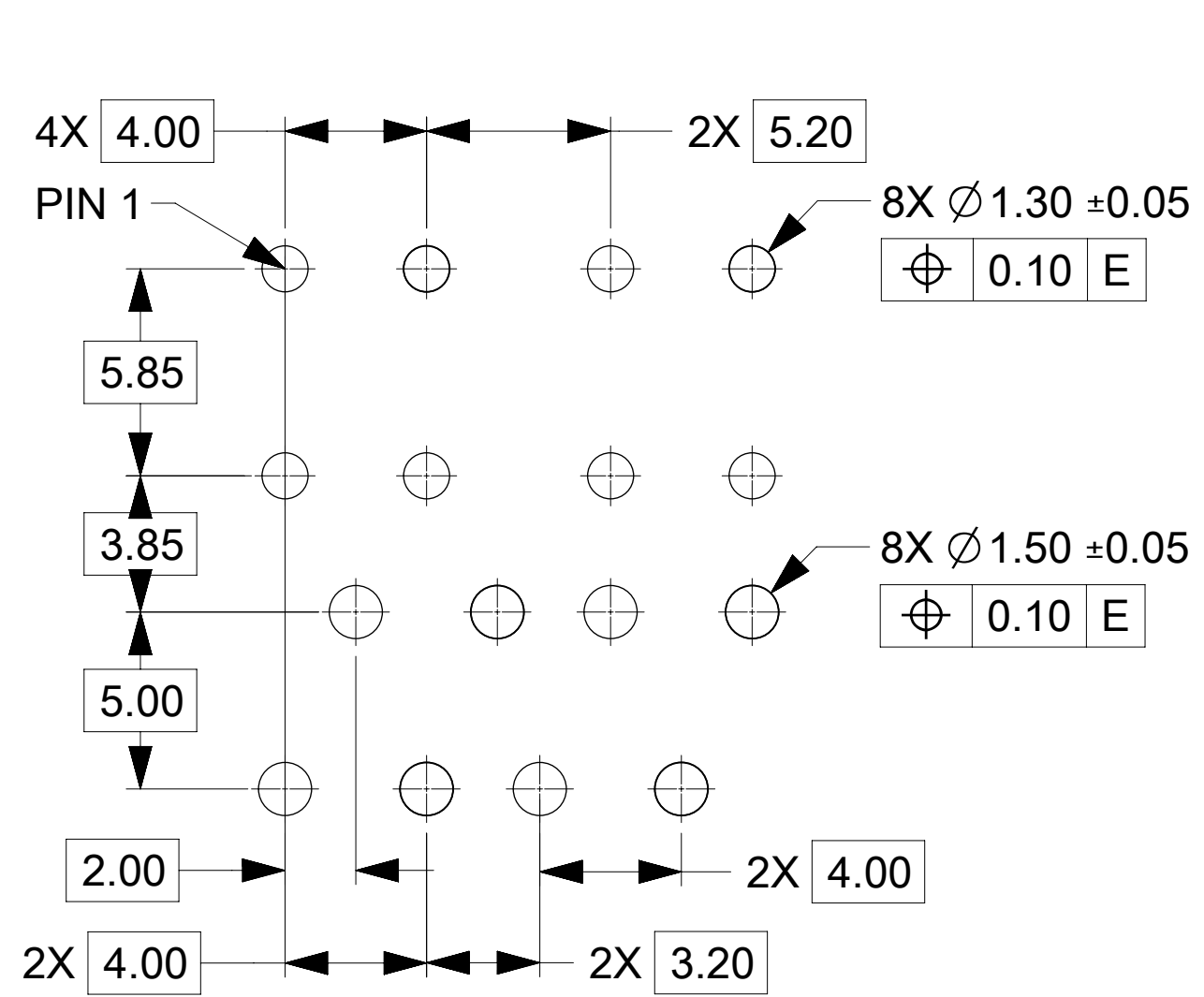
| SINGLE BAY ASSEMBLY           | DRAWING      | INTERFACE DRAWING | TERMINAL QUANTITIES |       |       |
|-------------------------------|--------------|-------------------|---------------------|-------|-------|
|                               |              |                   | 0.5mm               | 1.2mm | 2.8mm |
| 2005010121 THROUGH 2005010124 | 2005011120SD | SD-160026-002     |                     | 8     | 4     |
| 2005010251 THROUGH 2005010254 | 2005011250SD | SD-160027-002     | 21                  |       | 4     |
| 2005010271 THROUGH 2005010274 | 2005011270SD | SD-160029-002     | 19                  | 8     |       |
| 2005010281 THROUGH 2005010284 | 2005011280SD | SD-160014-002     | 21                  | 7     |       |
| 2005010321 THROUGH 2005010324 | 2005011320SD | SD-160028-002     | 28                  | 4     |       |

|          |   |
|----------|---|
| C11      | ADDED PN 2005052013<br>11-NOV-2021, ECN: 684964   |
| C10      | NOTE 4.3 UPDATED  |
| C9       | CHANGE SINGLE BAY PN FROM<br>2005010322, 2005010322 TO 2005010122,<br>2005010322 FOR MULTI-BAY PN<br>2005052012 |
| C8       | ADDED PN 2005053012<br>21-APRIL-2021, ECN: 661591   |
| C7       | ADDED PN 2005052012<br>24-JULY-2020 MKP ECN:642177  |
| C6       | ADDED PCB HOLE DIMENSIONAL &<br>POSITIONAL TOLERANCE<br>11-JUNE-2020 YPENG47 ECN:639277                         |
| C5       | ADDED BALLOON #17 AND TOLERANCE<br>ADDED PN 2005052011<br>ECN 638696  |
| C4       | ADDED PART NUMBER 2005055004<br>ECN 615503  |
| C3       | ADDED PART NUMBER 2005052009<br>ECN 610976  |
| C2       | ADDED PACKAGING COLUMN TO CHART   |
| C1       | ADDED NOTE 2.3. ADDED PART<br>NUMBERS. ECN 602740.  |
| C        | INTERFACE GEOMETRY CHANGE TO<br>LOCK TAB. SAP ECN 10906786.   |
| B4       | SWITCHED BAYS IN 2005052004<br>1MAY2018 ECN 10895975  |
| B3       | ADDED PART NUMBERS  |
| B2       | ADDED PART NUMBERS  |
| B1       | ADDED PART NUMBERS  |
| B        | PCB POST CHANGE, MODULE OPENING<br>CHANGE, NOTES UPDATE   |
| A2       | ADDED PART NUMBERS, CHANGED<br>MARKING. GDT ON MODULE OPENING.  |
| A1       | CHANGED 2005053003 25K2   |
| A        | RELEASE   |
| 1        | INITIAL RELEASE   |
| REVISION | DESCRIPTION   |

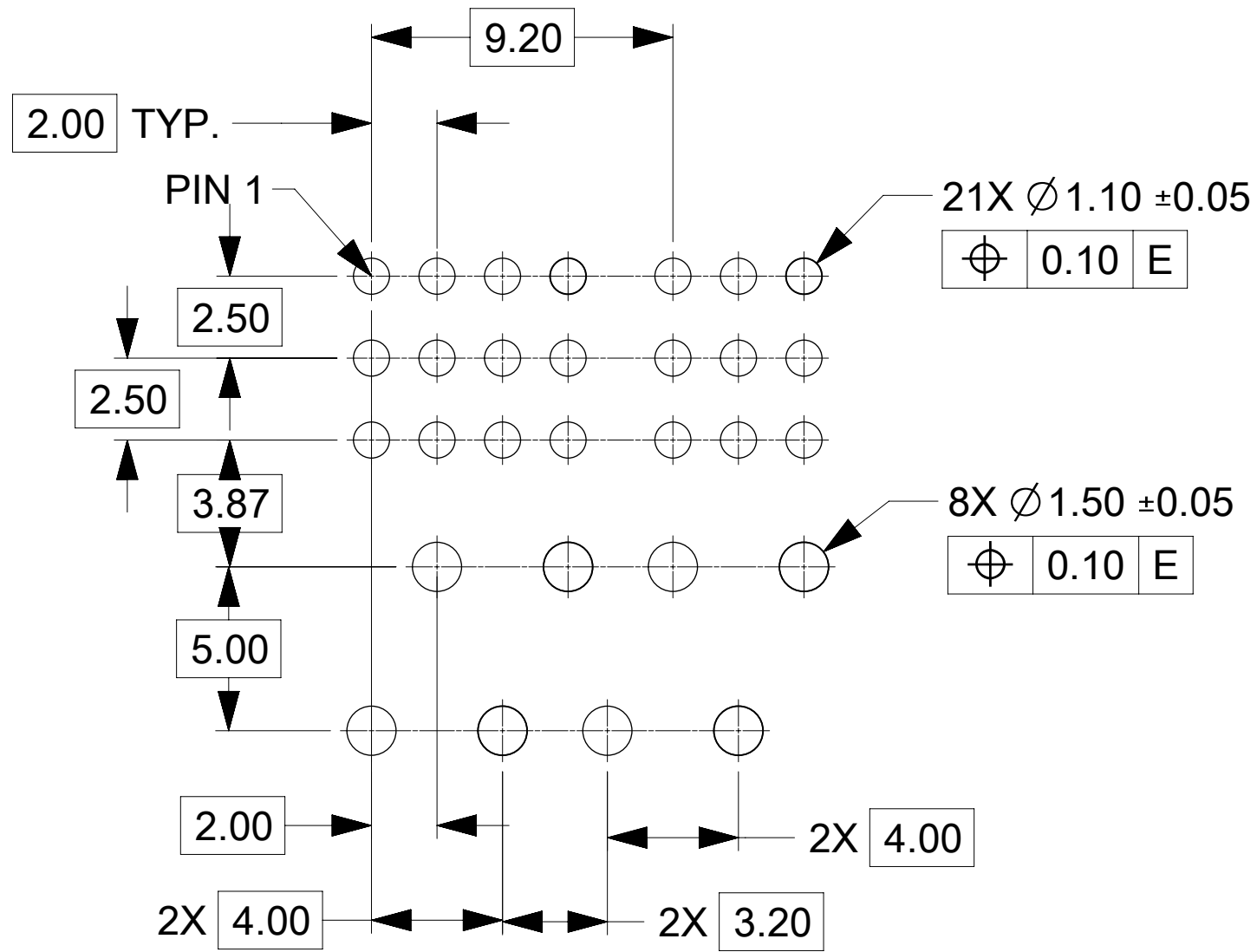
THIS DRAWING CONTAINS INFORMATION THAT IS PROPRIETARY TO MOLEX ELECTRONIC TECHNOLOGIES, LLC AND SHOULD NOT BE USED WITHOUT WRITTEN PERMISSION

|  |   |   |   |           |               |            |
|--|---|---|---|-----------|---------------|------------|
| DIMENSION UNITS<br><b>mm</b>                               | SCALE<br><b>1:1</b>   | CURRENT REV DESC: SEE REVISION TABLE                  |  |           |               |            |
| GENERAL TOLERANCES (UNLESS SPECIFIED)                      |   |   |   |           |               |            |
| ANGULAR TOL  | ± °   | EC NO: 684964   | STAK50H MODULAR HEADER VERT MULTIPLE BAY  |           |               |            |
| 4 PLACES   | ± 0.0   | DRWN: RGV 2021/11/11                                  |   |           |               |            |
| 3 PLACES   | ± 0.0   | CHK'D: JCONDON 2021/11/11                             | PRODUCT CUSTOMER DRAWING  |           |               |            |
| 2 PLACES   | ± 0.13  | APPR: JCONDON 2021/11/11                              |   |           |               |            |
| 1 PLACE  | ± 0.25  | INITIAL REVISION:                                     | DOCUMENT NUMBER   | DOC TYPE  | DOC PART      | REVISION   |
| 0 PLACES   | ± 0.0   | DRWN: JRUTTER 2016/05/04<br>APPR: KDEKOSKI 2016/06/17 | <b>2005050000</b>   | PSD       | 000           | <b>C11</b> |
| DRAFT WHERE APPLICABLE<br>MUST REMAIN<br>WITHIN DIMENSIONS | THIRD ANGLE PROJECTION  | DRAWING   | MATERIAL NUMBER   | CUSTOMER  | SHEET NUMBER  |            |
|  |  | <b>D-SIZE</b>   | <b>200505</b>   | SEE CHART | <b>2 OF 4</b> |            |

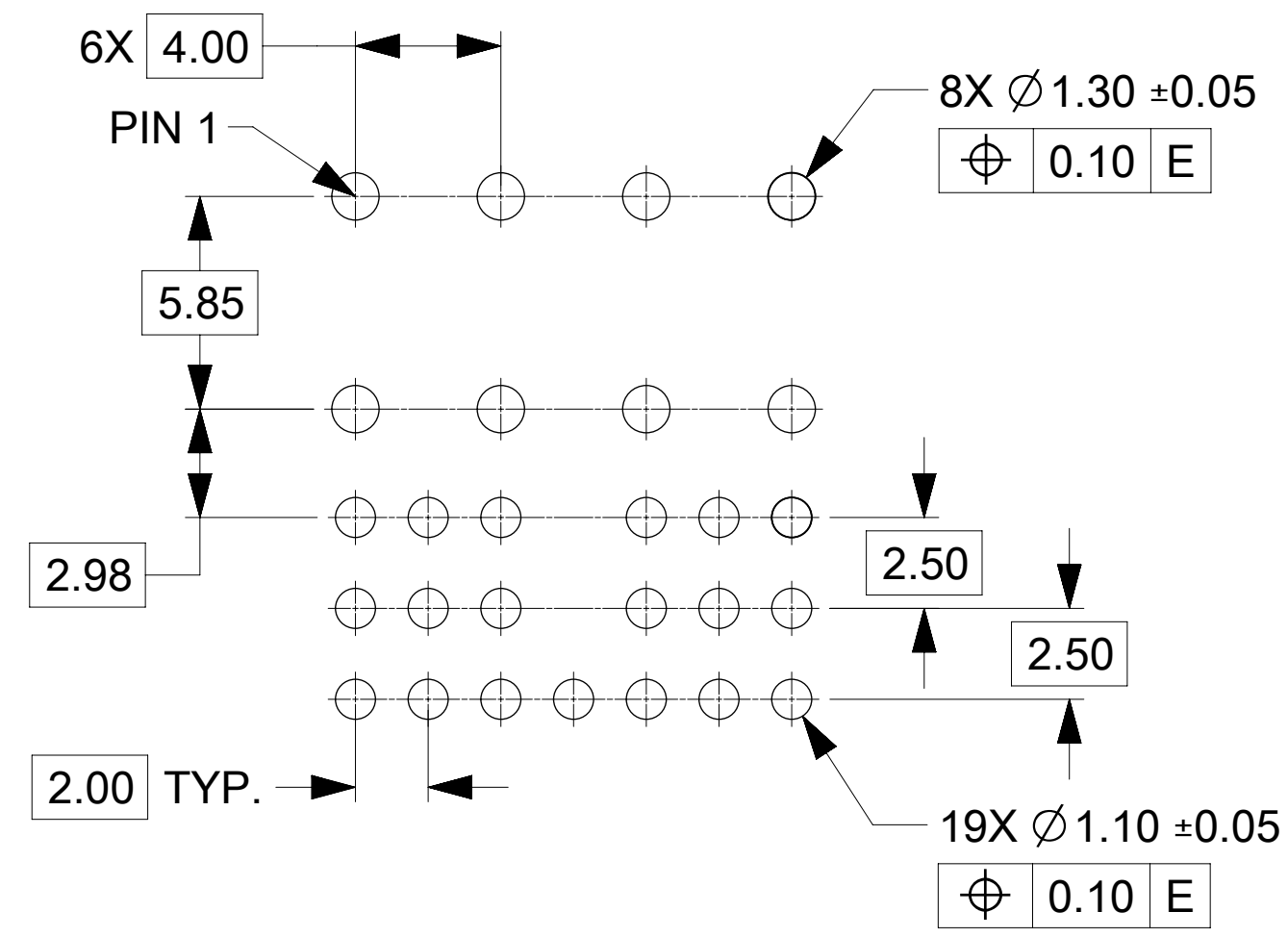
# RECOMMENDED PCB LAYOUT PER BAY FOR REFERENCE ONLY



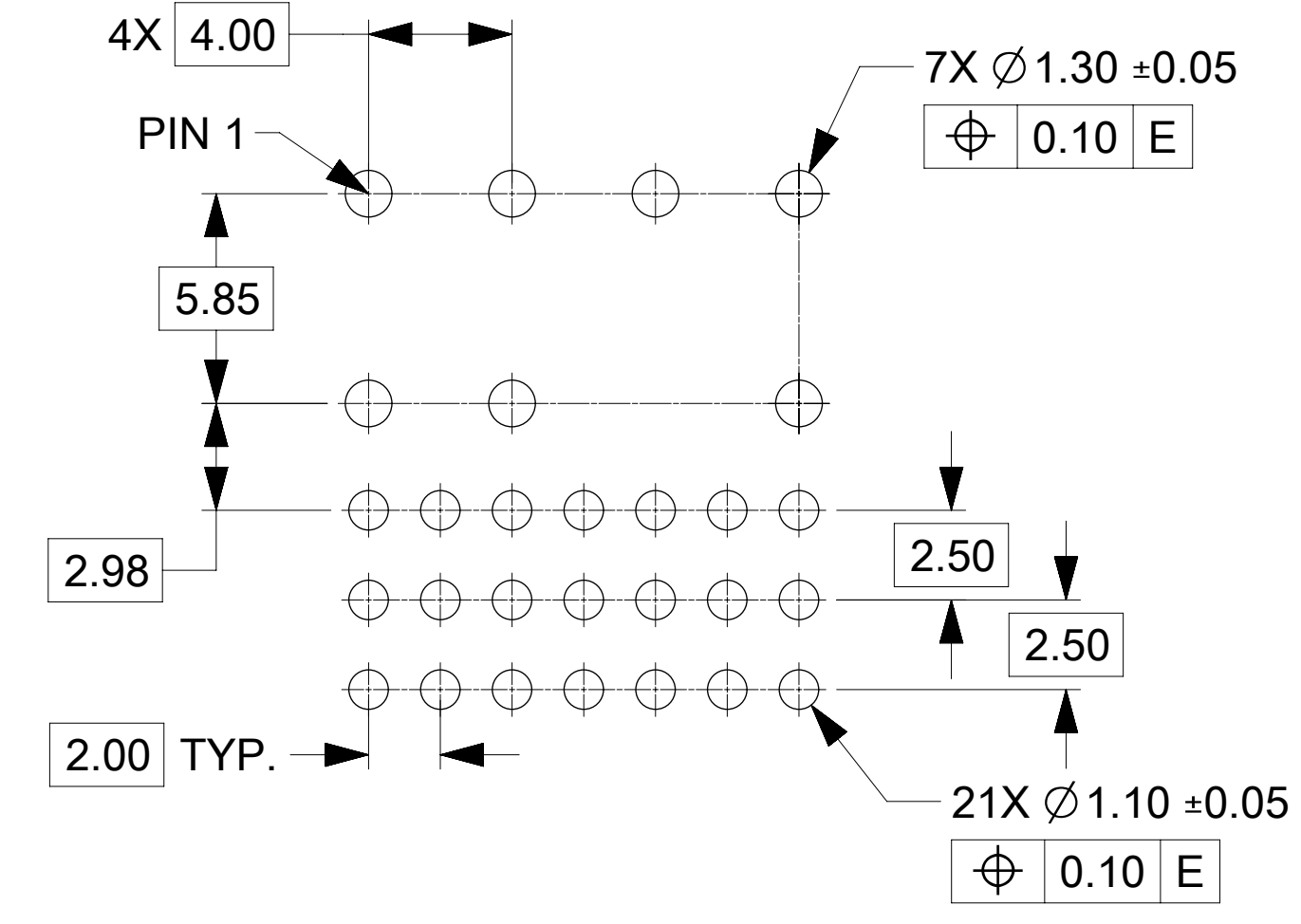
12 WAY  
2005010121  
2005010122  
2005010123  
2005010124



25 WAY  
2005010251  
2005010252  
2005010253  
2005010254

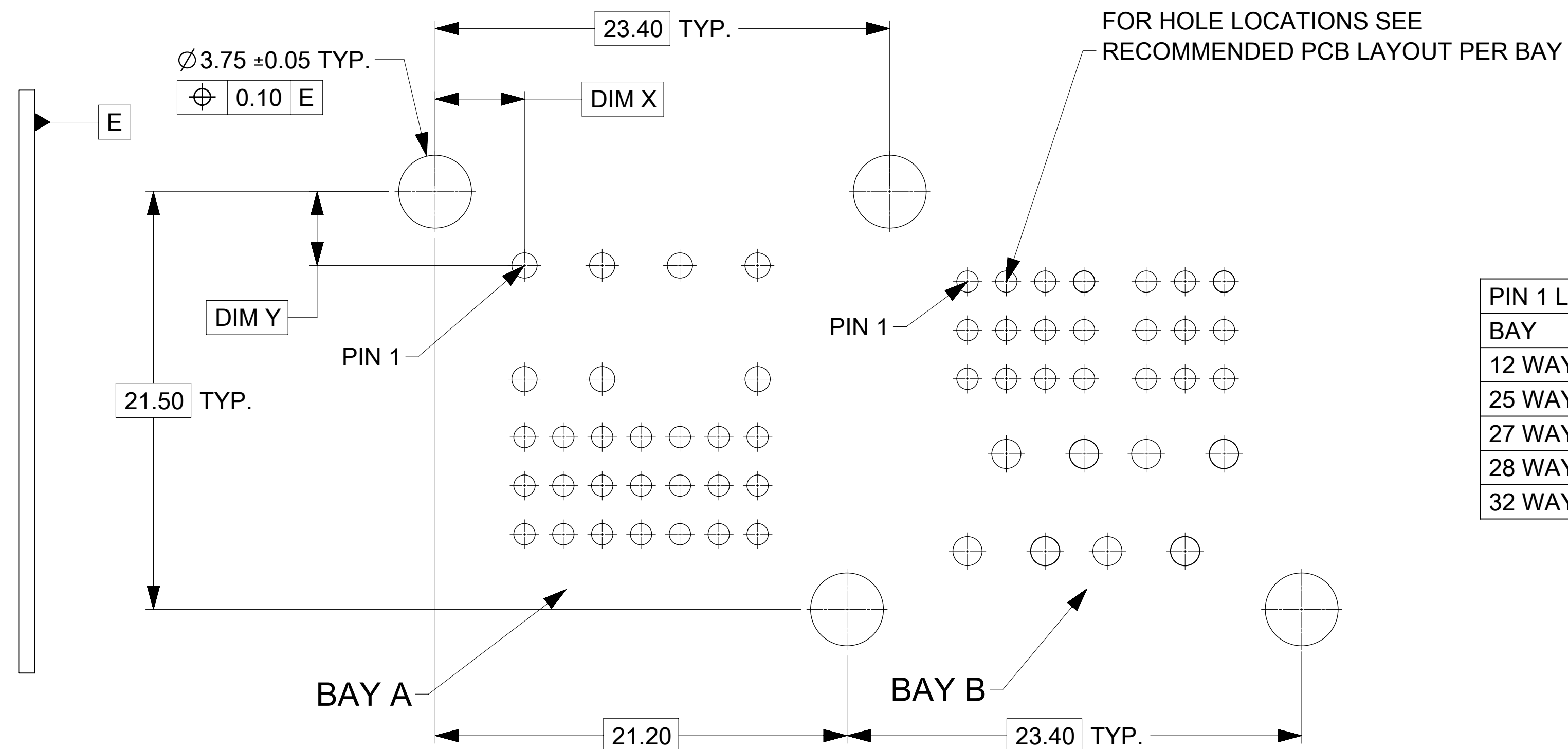


27 WAY  
2005010271  
2005010272  
2005010273  
2005010274

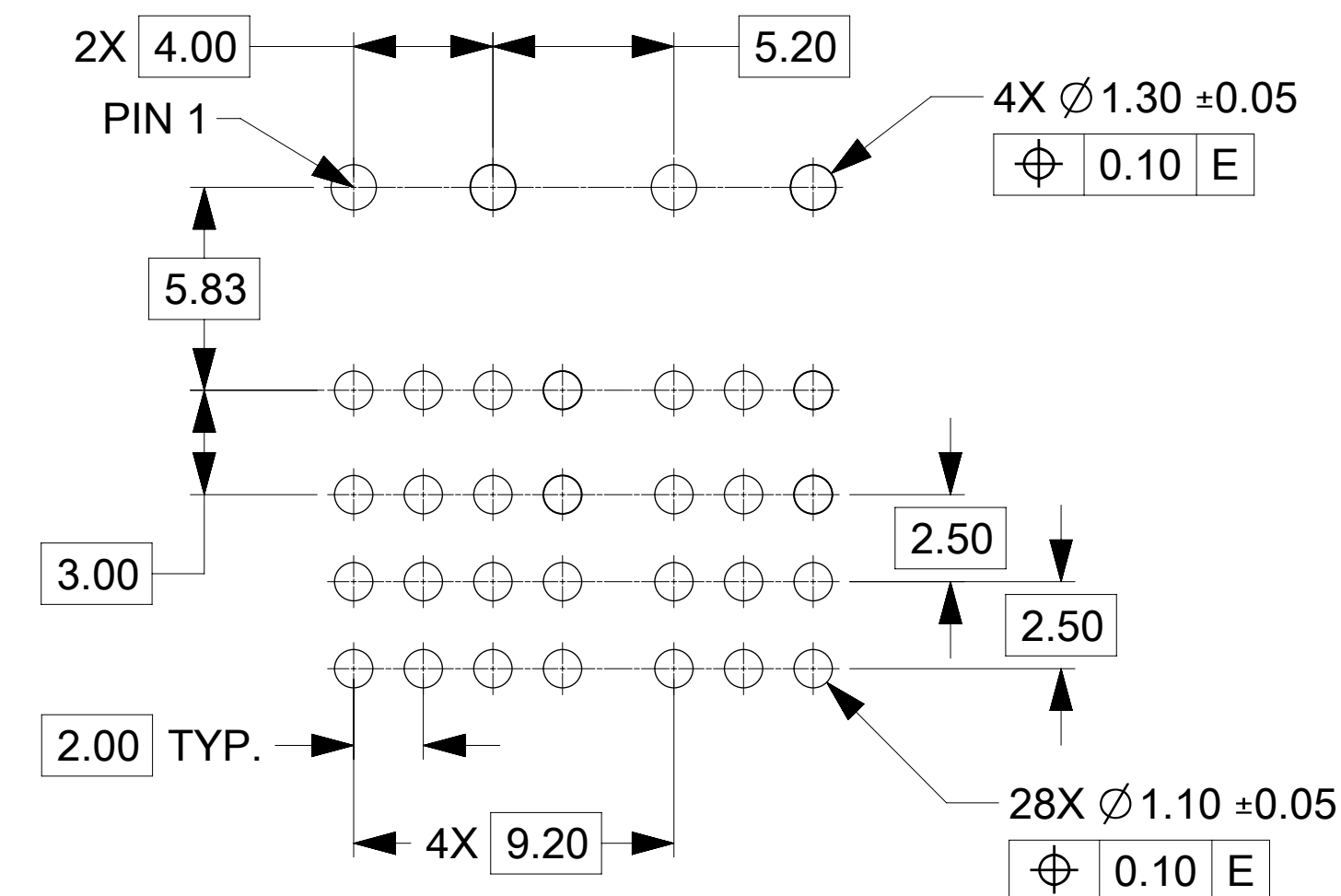


28 WAY  
2005010281  
2005010282  
2005010283  
2005010284

# RECOMMENDED PCB LAYOUT FOR MULTIPLE BAY HEADER FOR REFERENCE ONLY INSERT NECESSARY BAYS USING CHART ON SHEET 1

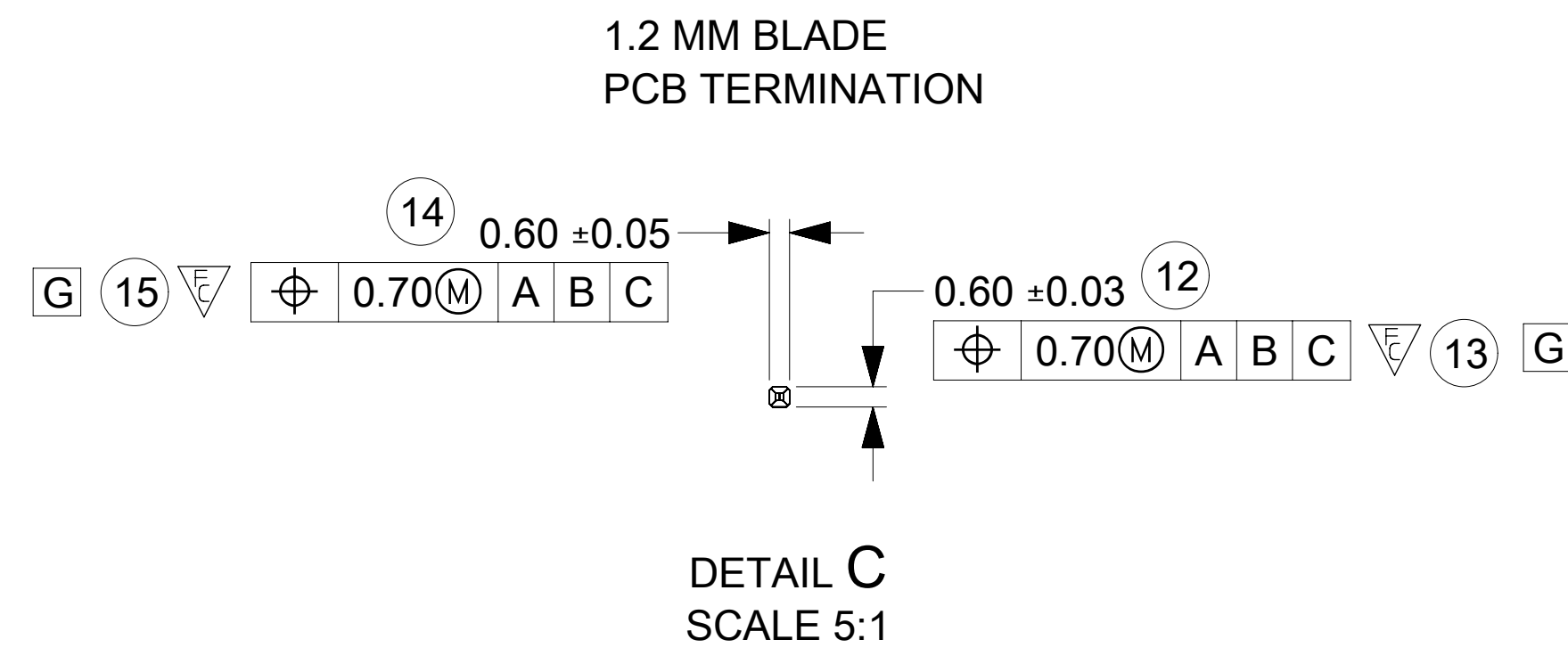
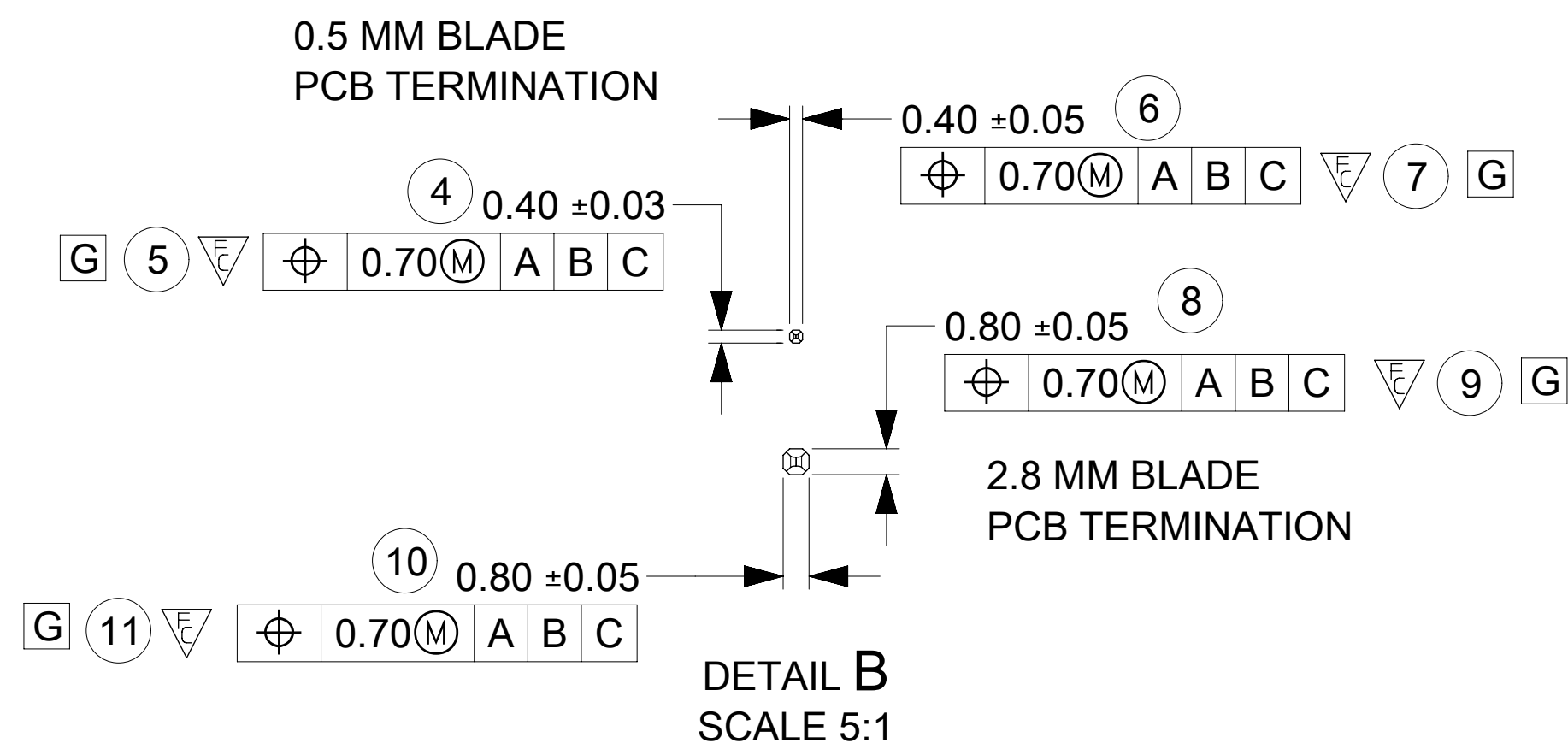


| PIN 1 LOCATION CHART |       |       |
|----------------------|-------|-------|
| BAY                  | DIM X | DIM Y |
| 12 WAY               | 4.0   | 3.8   |
| 25 WAY               | 4.0   | 4.63  |
| 27 WAY               | 4.6   | 3.8   |
| 28 WAY               | 4.6   | 3.8   |
| 32 WAY               | 4.0   | 3.8   |



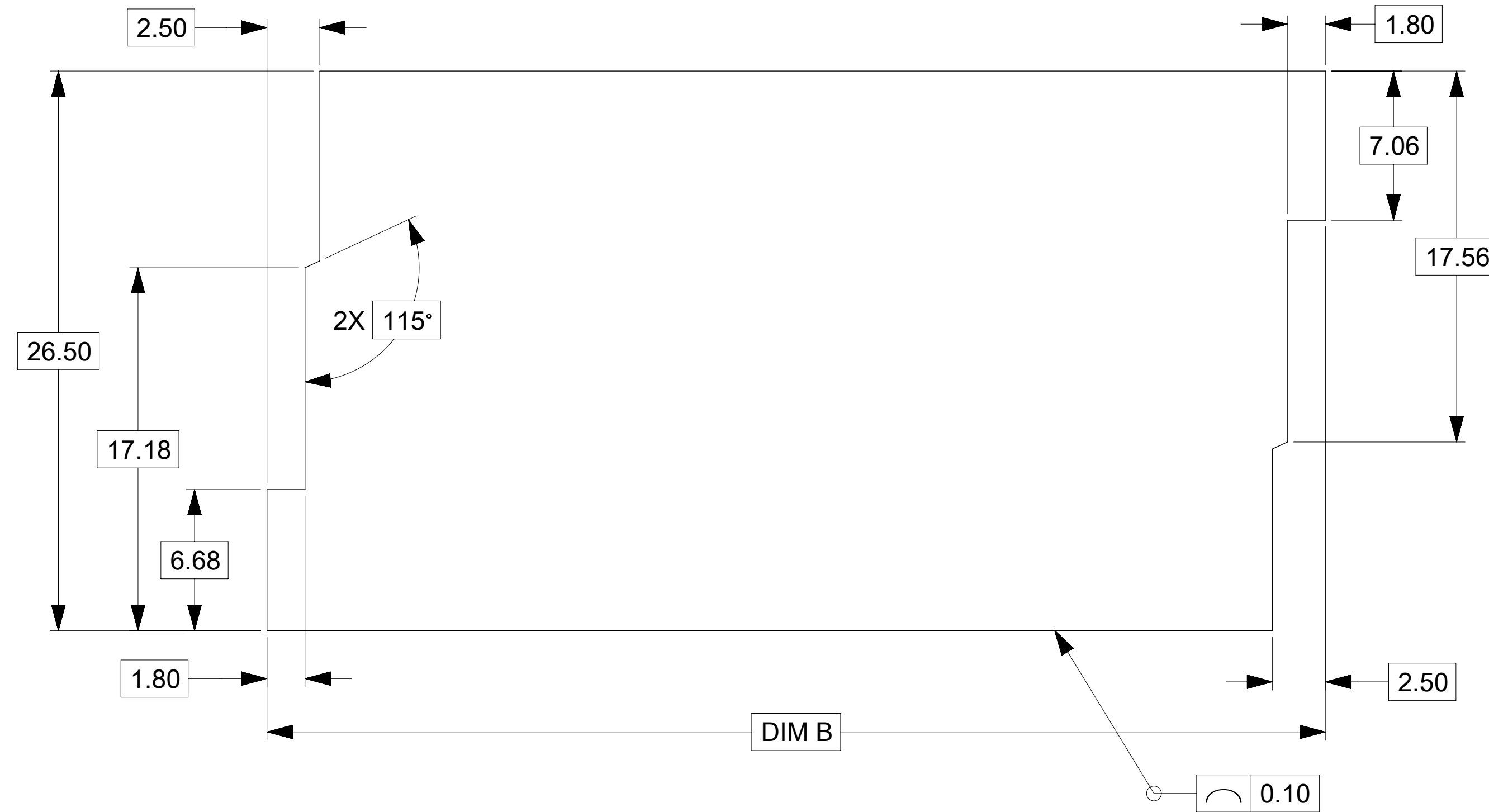
32 WAY  
2005010321  
2005010322  
2005010323  
2005010324

|   |        |  |  |                |  |            |  |              |  |
|---|--------|--|--|----------------|--|------------|--|--------------|--|
| THIS DRAWING CONTAINS INFORMATION THAT IS PROPRIETARY TO MOLEX ELECTRONIC TECHNOLOGIES, LLC AND SHOULD NOT BE USED WITHOUT WRITTEN PERMISSION |        |  |  |                |  |            |  |              |  |
| DIMENSION UNITS   | SCALE  | CURRENT REV DESC: SEE REVISION TABLE     |  |                |  |            |  |              |  |
| mm  | 5:1    |  |  |                |  |            |  |              |  |
| GENERAL TOLERANCES (UNLESS SPECIFIED)   |        |  |  |                |  |            |  |              |  |
| ANGULAR TOL   | ± °    | STAK50H MODULAR HEADER VERT MULTIPLE BAY |  |                |  |            |  |              |  |
| 4 PLACES  | ± 0.0  | PRODUCT CUSTOMER DRAWING                 |  |                |  |            |  |              |  |
| 3 PLACES  | ± 0.0  | DOCUMENT NUMBER                          |  |                |  |            |  |              |  |
| 2 PLACES  | ± 0.13 | 2005050000                               |  |                |  |            |  |              |  |
| 1 PLACE   | ± 0.25 | DOC TYPE                                 |  |                |  |            |  |              |  |
| 0 PLACES  | ± 0.0  | PSD                                      |  |                |  |            |  |              |  |
| DRAFT WHERE APPLICABLE MUST REMAIN WITHIN DIMENSIONS  |        | THIRD ANGLE PROJECTION                   |  | DRAWING        |  | SERIES     |  | SHEET NUMBER |  |
|   |        | D-SIZE                                   |  | 200505         |  | SEE CHART  |  | 3 OF 4       |  |
|   |        | EC NO: 684964                            |  | DRWN: RGV      |  | 2021/11/11 |  |              |  |
|   |        | CHK'D: JCONDON                           |  | APPR: JCONDON  |  | 2021/11/11 |  |              |  |
|   |        | INITIAL REVISION:                        |  | DRWN: JRUTTER  |  | 2016/05/04 |  |              |  |
|   |        |  |  | APPR: KDEKOSKI |  | 2016/06/17 |  |              |  |



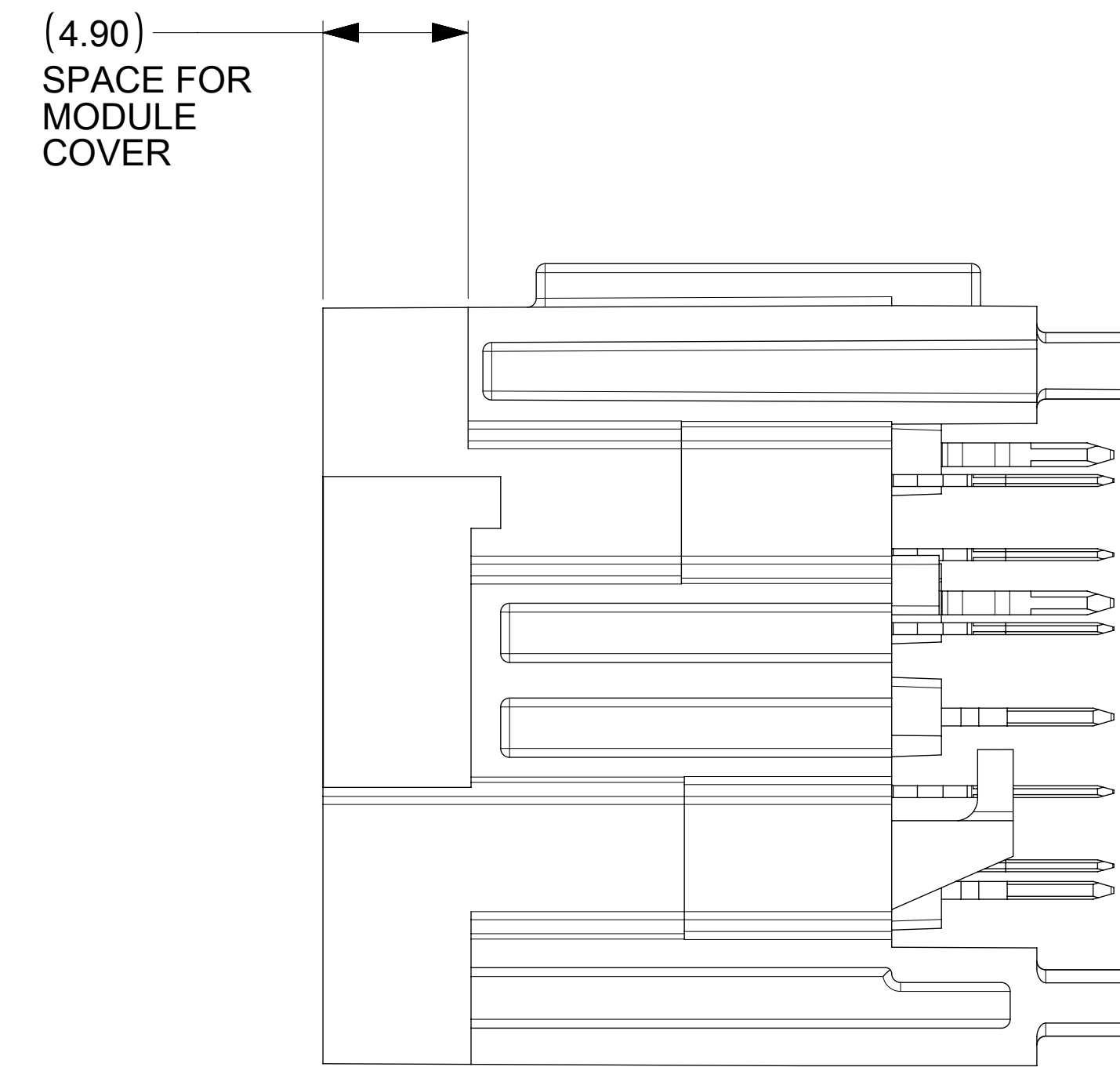
TYPICAL PCB TERMINATIONS  
 SIZE AND TRUE POSITION TOLERANCES  
 SEE INDIVIDUAL SINGLE BAY DRAWINGS FOR LOCATIONS (CHART ON SHEET 1)  
 PARTS TO BE INSPECTED WITH FUNCTIONAL GAGE  
 SEE NOTE 3.8

RECOMMENDED MODULE OPENING  
 TO PASS ISO 20653 IP-4  
 FOR INDIVIDUAL CONNECTOR IP RATINGS SEE PRODUCT SPECIFICATION IN NOTE 1.2



| QTY BAYS | DIM B |
|----------|-------|
| 2        | 50.1  |
| 3        | 73.5  |
| 4        | 96.9  |
| 5        | 120.3 |
| 6        | 143.7 |
| 7        | 167.1 |

FOR PACKAGE SPACE FOR CONNECTOR  
 UNMATED AND MATED WITH COVER  
 SEE INTERFACE DRAWINGS (CHART ON SHEET 1)



THIS DRAWING CONTAINS INFORMATION THAT IS PROPRIETARY TO MOLEX ELECTRONIC TECHNOLOGIES, LLC AND SHOULD NOT BE USED WITHOUT WRITTEN PERMISSION

|   |                        |   |                          |                              |                       |
|---|------------------------|---|--------------------------|------------------------------|-----------------------|
| DIMENSION UNITS<br><b>mm</b>                            | SCALE<br><b>5:1</b>    | CURRENT REV DESC: SEE REVISION TABLE                  | <b>molex</b>             |                              |                       |
| GENERAL TOLERANCES (UNLESS SPECIFIED)                   |                        |   |                          |                              |                       |
| ANGULAR TOL   | ± °                    | EC NO: 684964   | PRODUCT CUSTOMER DRAWING |                              |                       |
| 4 PLACES  | ± 0.0                  | DRWN: RGV 2021/11/11                                  | DOCUMENT NUMBER          |                              |                       |
| 3 PLACES  | ± 0.0                  | CHK'D: JCONDON 2021/11/11                             | 2005050000               |                              |                       |
| 2 PLACES  | ± 0.13                 | APPR: JCONDON 2021/11/11                              | DOC TYPE                 | DOC PART                     | REVISION              |
| 1 PLACE   | ± 0.25                 | INITIAL REVISION:                                     | PSD                      | 000                          | C11                   |
| 0 PLACES  | ± 0.0                  | DRWN: JRUTTER 2016/05/04<br>APPR: KDEKOSKI 2016/06/17 | SHEET NUMBER             |                              |                       |
| DRAFT WHERE APPLICABLE<br>MUST REMAIN WITHIN DIMENSIONS | THIRD ANGLE PROJECTION | DRAWING<br><b>D-SIZE</b>                              | SERIES<br><b>200505</b>  | MATERIAL NUMBER<br>SEE CHART | CUSTOMER<br>SEE CHART |