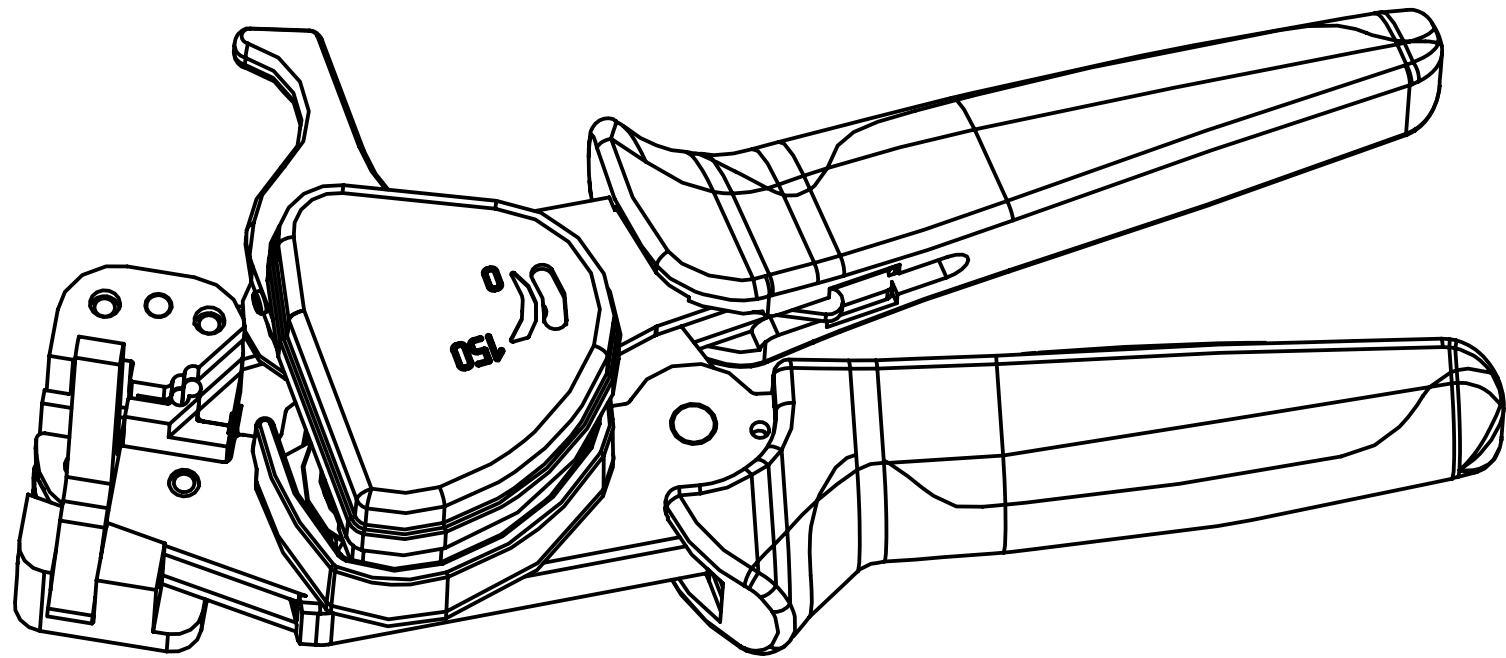

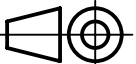


1 2 3 4 5 6

A  
B  
C  
D



	All rights reserved Department EC PD - DE	Created by ELLERMANN		Inspected by KOCHL	Standardisation SCHREIER	Date 2017-07-31	State Final Release
		Title SCRJ POF tool set replacement cutter					
HARTING Electronics GmbH D-32339 Espelkamp		Type TB	Number 09350009916			Rev. B	Page 1/1
 All Dimensions in mm Original Size DIN A4		Scale 1:1	Free size tol.			Ref.	Sub.