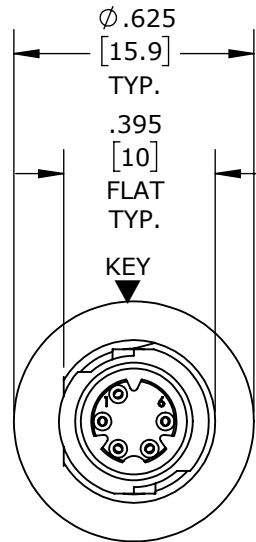


MFG. ENG. APPROVED BY: DATE: QA APPROVED BY: DATE:

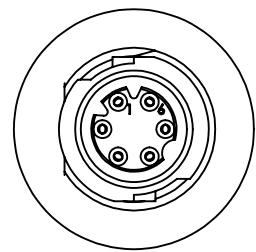
PART NO.	NO. OF PINS
W17982-5SG-P-300	5
W17982-6SG-P-300	6
W17982-7SG-P-300	7

NOTES:

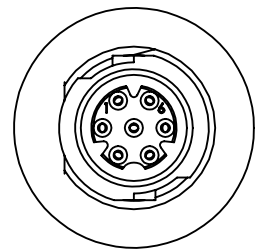
1. ALL PARTS ARE BULK PACKED.
2. REFER TO DRAWING HPMCSTD FOR CONTACT PATTERNS.
3. ALL DIMENSIONS ARE REFERENCE ONLY IN INCHES [mm], WITHIN ±0.015 UNLESS OTHERWISE NOTED.



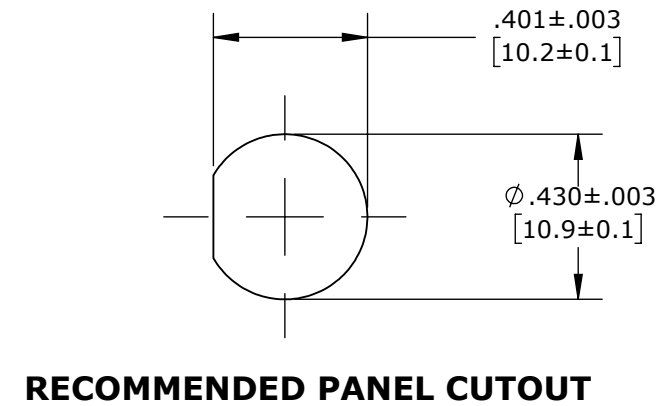
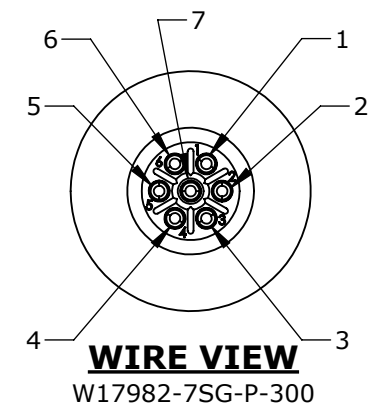
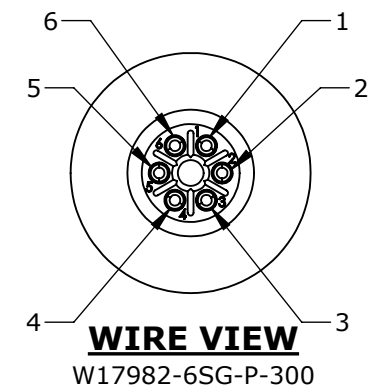
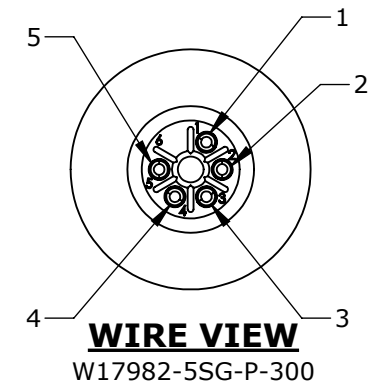
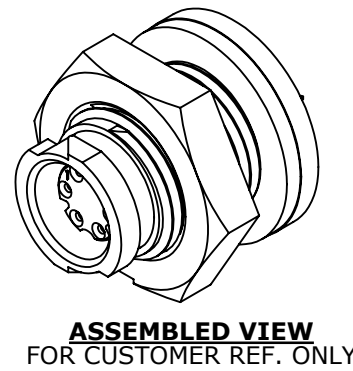
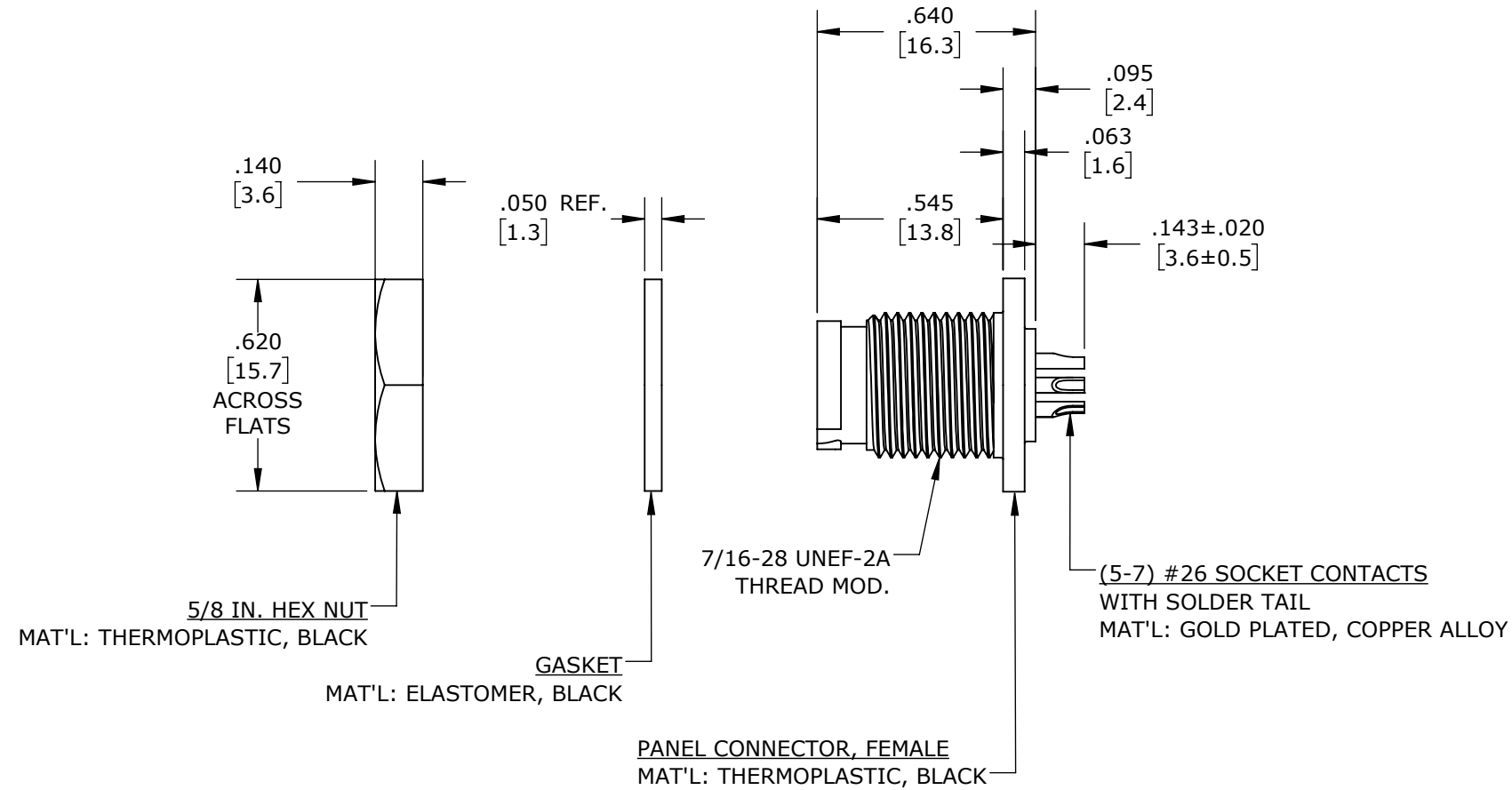
FACE VIEW
W17982-5SG-P-300
5 POSITION
A-KEY



FACE VIEW
W17982-6SG-P-300
6 POSITION
B-KEY



FACE VIEW
W17982-6SG-P-300
7 POSITION
A-KEY



CUSTOMER APPROVAL

THIS DOCUMENT CONTAINS CONFIDENTIAL INFORMATION PROPRIETARY TO CONXALL CORPORATION. ANY REPRODUCTION, DISCLOSURE, OR USE OF THIS DOCUMENT /INFORMATION IS EXPRESSLY PROHIBITED UNLESS AUTHORIZED IN WRITING BY CONXALL CORPORATION.

APPROVED BY: _____
DATE: _____

RoHS COMPLIANT

0A	JGK	8/13/19	DRAWING CREATED FOR PDR #18004.	
REV.	INIT.	DATE	DESCRIPTION	
			ORIG. DRAWN BY: JGK	DATE: 8/13/19
ALL INFORMATION ILLUSTRATED IS THE PROPERTY OF CONXALL CORPORATION. UNAUTHORIZED DUPLICATION OR DISTRIBUTION OF THIS DOCUMENT IS PROHIBITED.			<p>601 E. WILDWOOD VILLA PARK, IL 60181</p>	
ALL UNITS ARE IN FEET, INCHES, FRACTION OF INCHES AND DECIMALS. UNLESS OTHERWISE SPECIFIED TOLERANCES: 3 PLACE DECIMALS ±.005 ANGLES ±1° FRACTIONS ±1/16				
APPROVED BY:			TITLE: PANEL MOUNT ASSEMBLY (5-7) #26 SOCKET CONTACTS, SOLDER CUP INSTA-CLICK, MICRO-CON-X STANDARD PRODUCT	
SCALE: NTS	SIZE: B	SHEET: 1 OF 1	CUSTOMER:	
FILE: W17982-XSG-P-300	DIRECTORY: SLW	PART NUMBER: W17982-XSG-P-300	REV: 0A	

CUSTOMER PRINT

PART NUMBER: W17982-XSG-P-300

PRELIMINARY

DIMENSIONS IS BRACKETS [] ARE METRIC