

SIGN	DATE	DESCRIPTION	APPROVER
		THIS IS CAD DRAWING, DO NOT REVISE MANUALLY!!!	

DIM.A TOLERANCE	
4P~38P	±0.20
40P~80P	±0.35

Material:

- Insulator: Glass Filled Polyester, UL94V-0
- Color: Black
- Contacts: Copper Alloy
- Contacts: Flash Gold over 50u" Nickel
other options may require MOQ

Electrical:

- Current: 3A Max.
- Voltage: 250V AC(r.m.s.)
- Insulation Resistance: >1000 MΩ
- Contact Resistance: <20mΩ
- Dielectric Voltage: 1000VAC/minute
- Operating Temperature: -40°C ~ +105°C

RoHS Compliant

Part Number

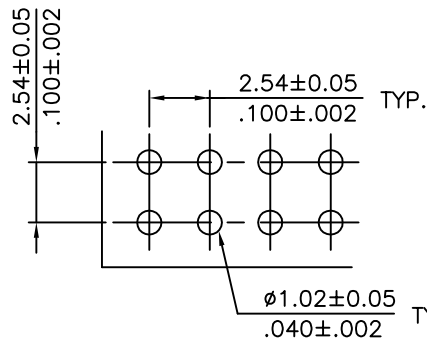
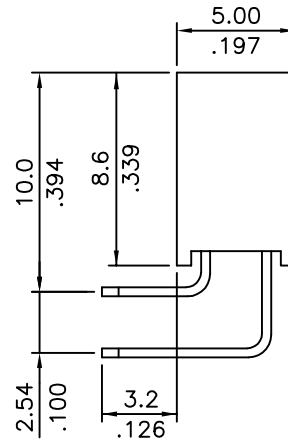
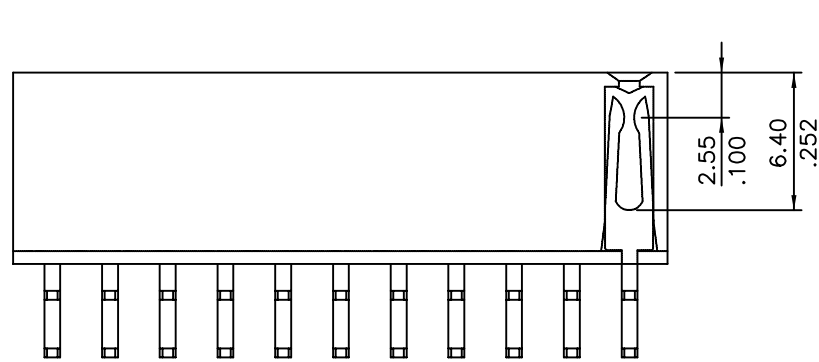
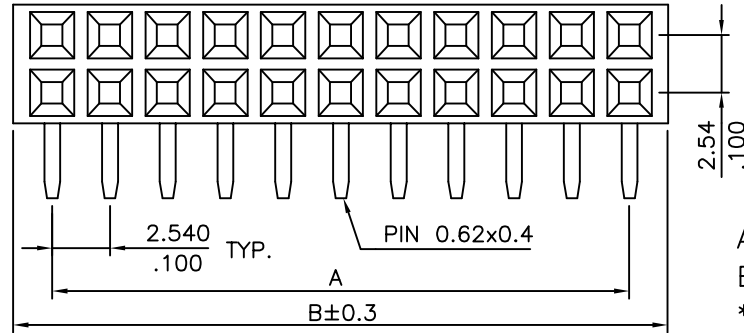
SH4-XXG

↑
Total # of circuits

$$A = 2.54 * (\text{No. of Circuits}/2 - 1)$$

$$B = A + 3.0$$

* Available in 4 through 80 circuits



Recommended P.C. Board Layout

THESE DRAWINGS AND SPECIFICATIONS ARE THE PROPERTY OF ON-SHORE TECHNOLOGY, INC. AND SHALL NOT BE REPRODUCED, COPIED OR USED IN ANY MANNER WITHOUT THE PRIOR WRITTEN CONSENT OF ON-SHORE TECHNOLOGY, INC.



TITLE		SH4 Series, 2.54mm, dual row female header, right angle	
PART NO.	SH4-XXG	DWG NO.	SH4-XXG.DWG
APPROVED	CHECKED	DESIGNED	DRAWN
Shi Jun 2007.01.22	Marvin 2007.01.22	Marvin 2007.01.22	Marvin 2007.01.22
		4050	
		Tolerance	
		UNIT: mm/inches	
		SCALE: NONE	
		X.X ±0.30/.012	
		X.XXX ±0.20/.008	
		X.XXXX ±0.10/.004	
		X* ±1°	
SHEET: 01/01		REV.: A	