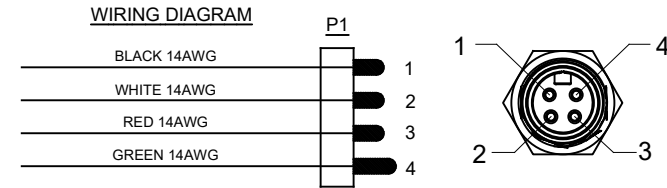
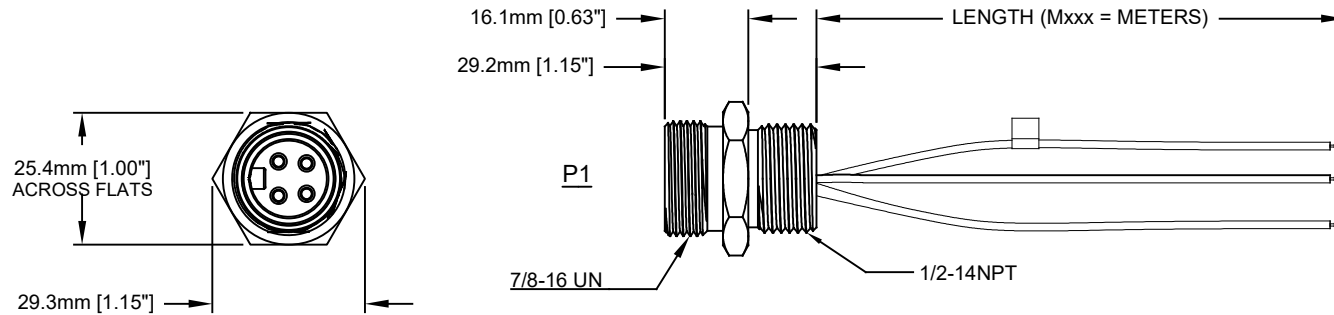


| REVISIONS |     |                              |           |     |      |
|-----------|-----|------------------------------|-----------|-----|------|
| REV       | ECO | DESCRIPTION                  | DATE      | BY  | APPR |
| A1        | -   | TECHNICAL DATA SHEET RELEASE | 12-MAY-14 | KMM | RFC  |



**TECHNICAL DATA:**

- MATERIALS:**  
 HOUSING: MACHINED ALUMINUM, ANODIZED  
 INSULATION INSERT: THERMOPLASTIC, UL 94/V-0  
 CONTACT: GOLD FLASH PLATING OVER COPPER ALLOY  
 CONDUCTOR INSULATION: PVC  
 NUMBER OF CONDUCTORS: (4) 14AWG
- ELECTRICAL DATA:**  
 CURRENT (MAX): 15A  
 VOLTAGE (MAX): 600V AC/DC  
 INSULATION RESISTANCE (MIN): 5000M OHMS  
 DIELECTRIC TEST VOLTAGE: 2200V
- MECHANICAL DATA:**  
 KNOCKOUT HOLE SIZE FOR PANEL MOUNT: 22.2mm [.88"]  
 TEMPERATURE RANGE: -40°C TO 90°C  
 PROTECTION: IP67 (MATED CONDITION)  
 MATING CYCLES: >500  
 VIBRATION RESISTANCE PER MIL-STD-202 METHOD 204  
 THERMAL SHOCK PER MIL-STD-202 METHOD 207  
 48 HOUR SALT SPRAY PER MIL-STD-202 METHOD 101
- RoHS COMPLIANT**
- UL 2237 LISTED ASSEMBLY**  
 UL FILE NUMBERS: E339703

| Amphenol P/N | ROCKWELL P/N | MOLEX          | TURCK         |
|--------------|--------------|----------------|---------------|
| P29036-M*    | 280-M22M-M*  | 1R4C06A20A*    | RSF44-*M/NPT  |
| P29036-M.5   | 280-M22M-M.5 | 1R4C06A20A005G | RSF44-.5M/NPT |
| P29036-M1    | 280-M22M-M1  | 1R4C06A20A010G | RSF44-1M/NPT  |
| P29036-M2    | 280-M22M-M2  | 1R4C06A20A020G | RSF44-2M/NPT  |
| P29036-M3    | 280-M22M-M3  | 1R4C06A20A030G | RSF44-3M/NPT  |

| TOLERANCE                  |                             |
|----------------------------|-----------------------------|
| 0-2.99 M = +100.0/-25.0mm  | 0-9.99 FT = +4" / -1"       |
| 3-8.99 M = +150.0/-25.0mm  | 10.00-29.99 FT = +6" / -1"  |
| 9-14.99 M = +300.0/-25.0mm | 30.00-49.99 FT = +12" / -1" |
| 15-OVER M = +450.0/-25.0mm | 50 FT-OVER = +18" / -1"     |

| QUANTITY                              | PART NUMBER | DESCRIPTION  | ITEM        |
|---------------------------------------|-------------|--|-------------|
| <b>MATERIALS LIST</b>                 |             |  |             |
| UNLESS OTHERWISE SPECIFIED            |             | SIGNATURES   | DATE        |
| 1) All dimensions are in metric (mm). |             | DRAWN: KMM   | 12-MAY-14   |
| 2) Tolerances are as follows:         |             | CHECKED: MRF   | 12-MAY-14   |
| 1 PL DEC ±0.30   Fractions ±1/64      |             | ENGINEER: KMM  |             |
| 2 PL DEC ±0.15                        |             | APPROVAL: RFC  | 12-MAY-14   |
| 3 PL DEC ±0.08                        |             | CUSTOMER:  |             |
| 3) Note reference =                   |             | THIS DRAWING IS SUPPLIED FOR INFORMATION ONLY. DESIGN FEATURES, SPECIFICATIONS AND PERFORMANCE DATA SHOWN HEREON ARE THE PROPERTY OF THE AMPHENOL CORPORATION. NO RIGHTS OF REPRODUCTION ARE IMPLIED. ALL DIMENSIONS ARE SUBJECT TO NORMAL MANUFACTURING VARIATIONS. |             |
| MATERIAL SPECIFICATIONS:              |             | M22 PB LITE, 4 PIN, MALE RECEPTACLE DROP, 14 AWG, 1/2 - 14NPT  |             |
| PROCESS SPECIFICATIONS:               |             | SIZE   | TYPE        |
| NEXT ASSY:                            |             | C-   | p29036-Mxxx |
|                                       |             | SCALE  | FULL        |
|                                       |             | DWG NO:  | p29036-Mxxx |
|                                       |             | SHEET  | 1 OF 1      |
|                                       |             | REVISION   | A1          |

TITL#22 PB LITE, 4 PIN, MALE REC, 14AWG, 1/2-14NPT  
 DWG NO: C-29036-Mxxx  
 REV: A1  
 SH: 1  
 OF: 1