

Product Change Notice (PCN)

Date: 11/25/2019

PCN Number: PCN-0450260R-01

To Our Customers:

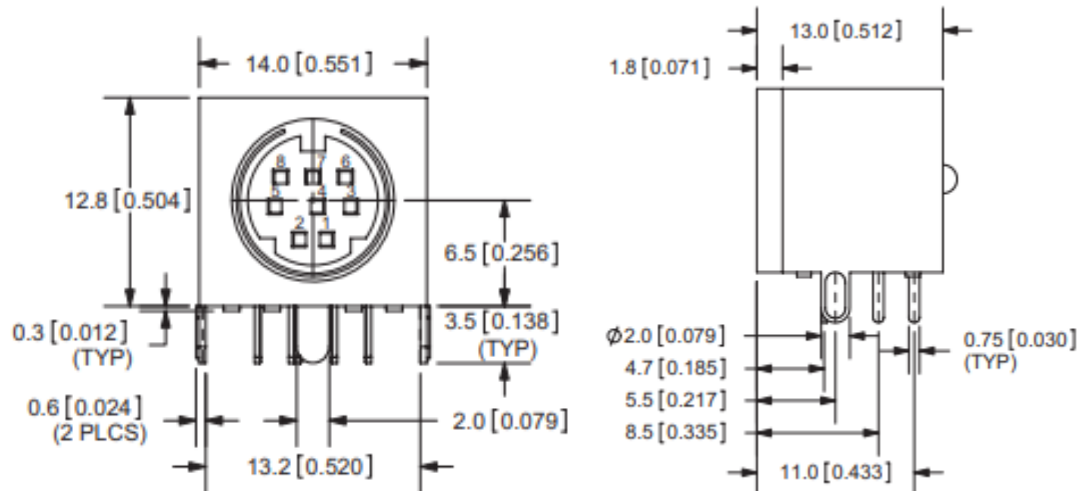
We appreciate your use of CUI Devices products. Our commitment in maintaining and improving processes is demonstrated by plans to enhance our product quality, reliability and manufacturability. The purpose of this notice is to inform you of a product change.

Product(s) Affected: MD-SM series (part numbers MD-30SM, MD-40SM, MD-50SM, MD-60SM, MD-70SM, MD-80SM, MD-90SM).

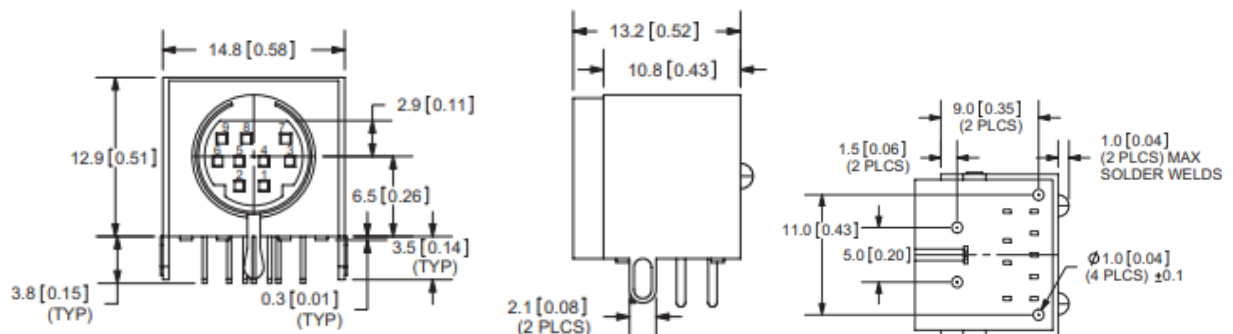
Reason(s) for Change: Manufacturing build location change.

Description of Change: minor dimensional changes, as shown below.

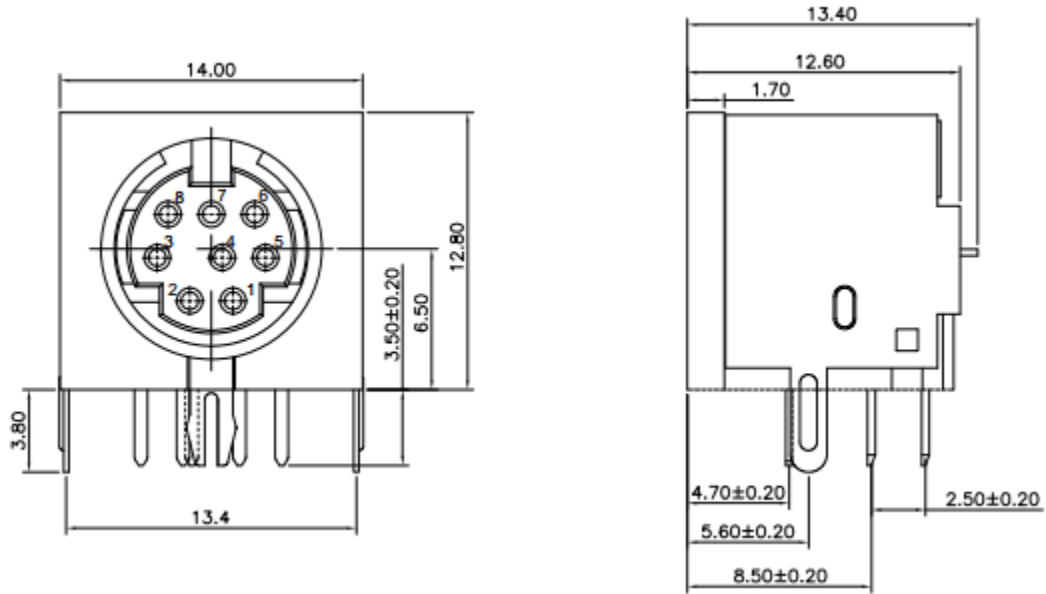
Old Design (MD-30SM, MD-40SM, MD-50SM, MD-60SM, MD-70SM, MD-80SM)



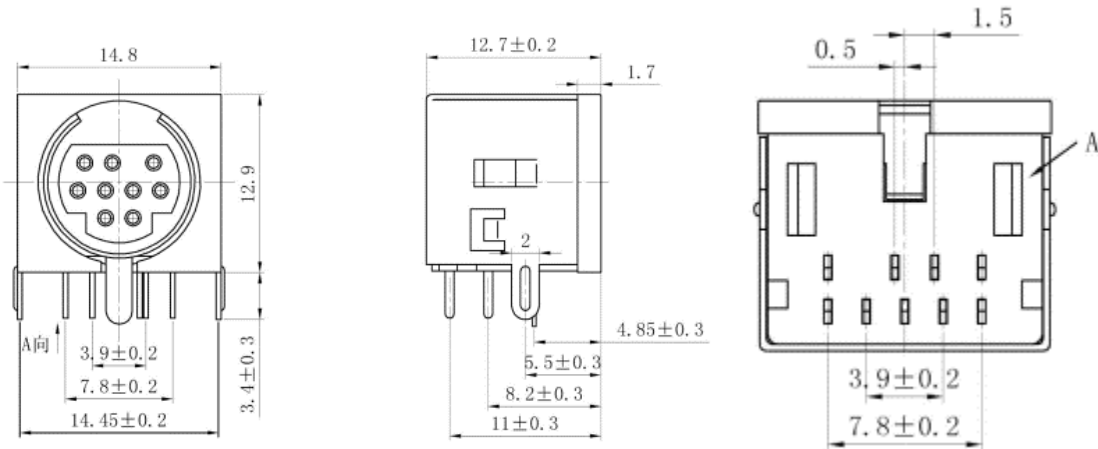
Old Design (MD-90SM)

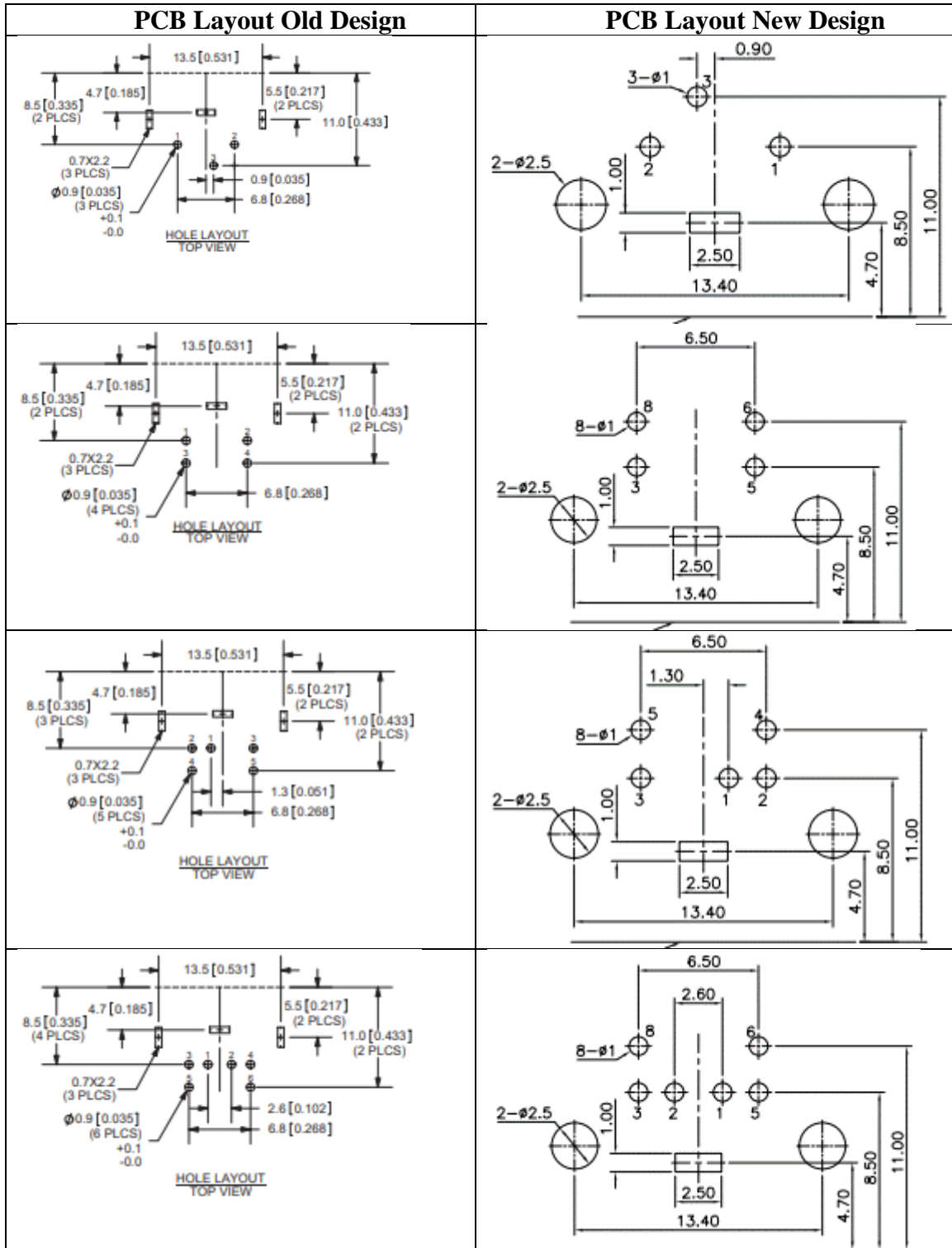


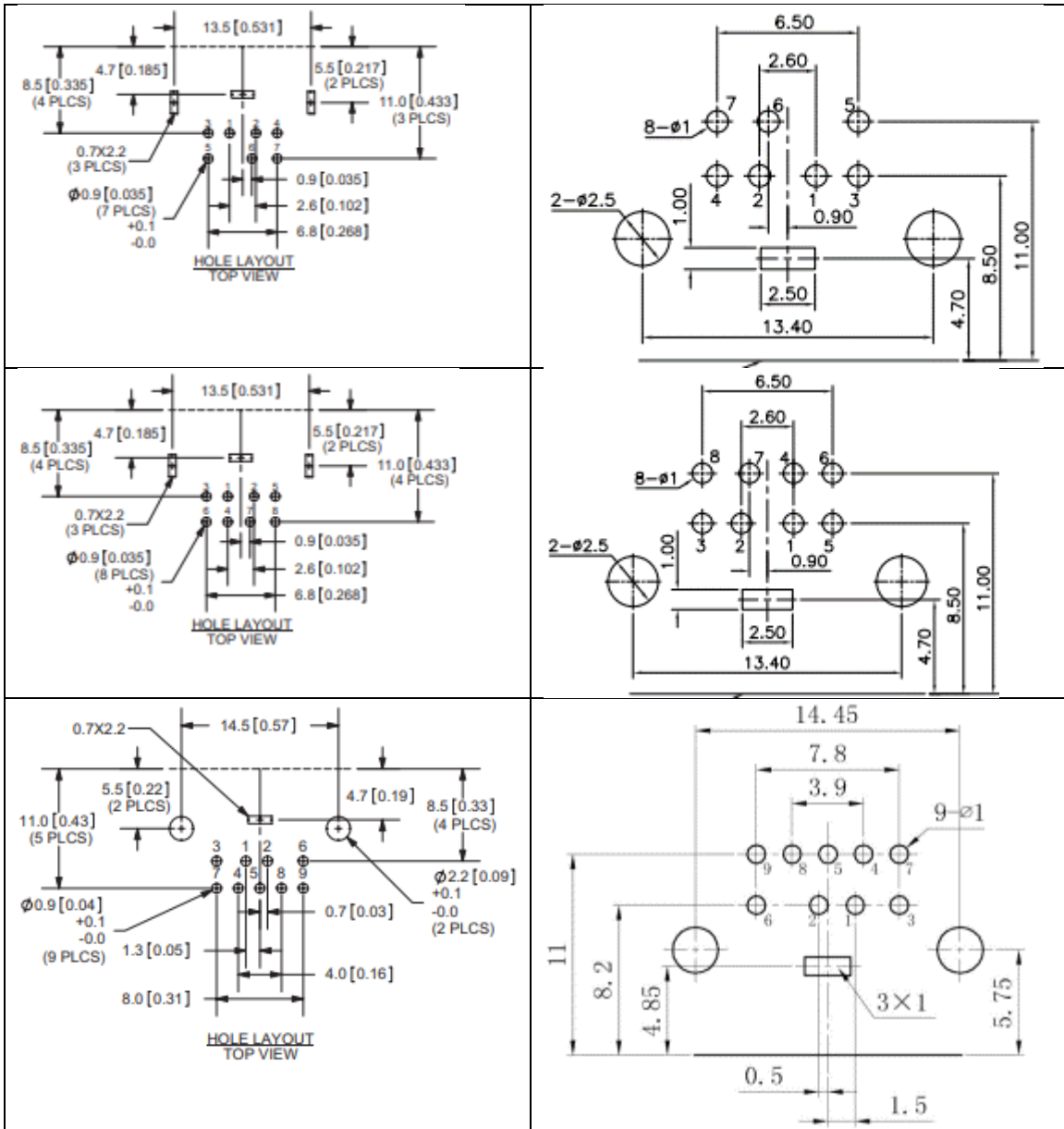
New Design (MD-30SM, MD-40SM, MD-50SM, MD-60SM, MD-70SM, MD-80SM)



New Design (MD-90SM)







Affected Date Code:

11/15/2019 for MD-30SM, MD-50SM, MD-70SM, MD-80SM
 12/6/19 for MD-40SM, MD-90SM, MD-90SM

Product Availability: currently available

Additional Information: none

PCN Approval:

Operations/Quality



Product Marketing