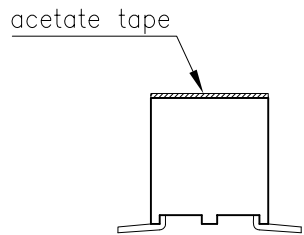
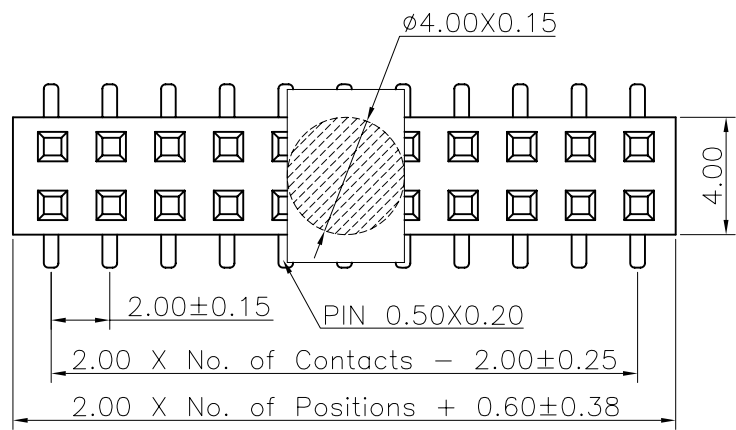
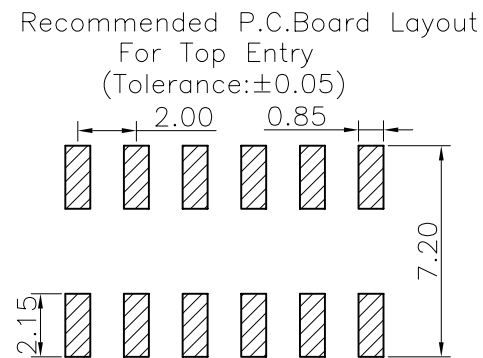
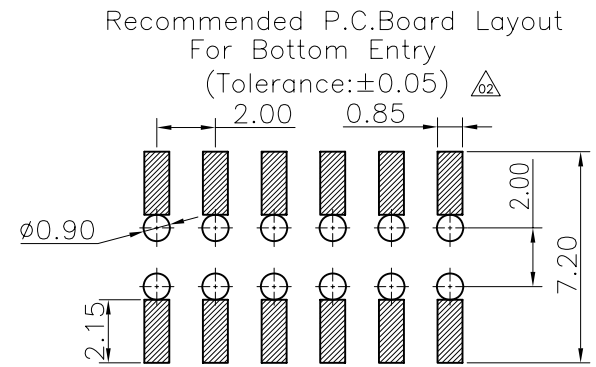
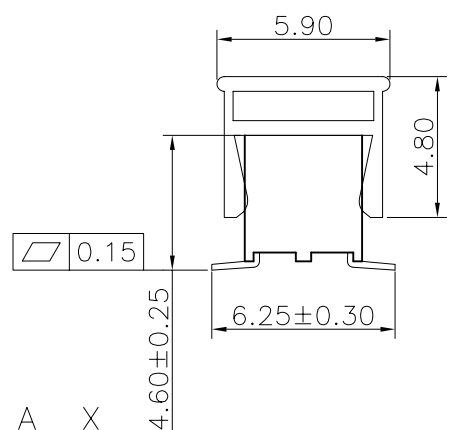
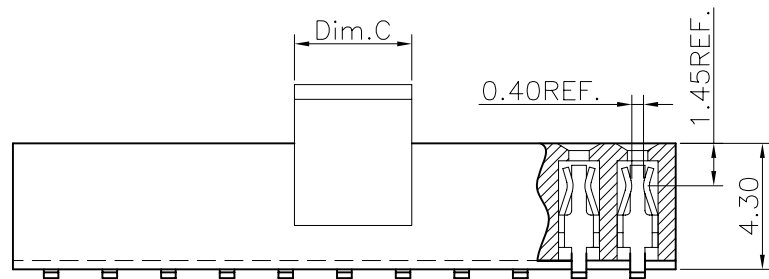


REV.	LOCAS.	DESCRIPTION	DATE	DRAWN
01	NEW	BATCH PRODUCTION INITIAL RELEASE.	2013.04.17	李芳忠
02	△	依業務要求，增加P.C.Board Layout示意圖	2016.03.24	胡金花



Dim.C	NOTE
4.00mm	02~20pins
8.05mm	21~40pins

Specifications
 Current Rating:2Amp
 Insulation Resistance:1000MΩMin.
 Dielectric Withstanding Voltage500VAC
 Contact Resistance:20mΩMax.
 Operating Temperature:-40°C to +105°C
 Materials
 Contact Material:Phosphor Bronze
 Insulator Material:High Temperature Thermoplastic, UL 94V-0 Nylon 6T(Halogen Free) or the equivalent material
 All materials must meet Greenconn requirement for environment protection.



Ordering Information

C SFC208 - XX XX A 001 R 1 A X

No. of Pins per Row
02~40

Standard Plating
02=Gold Flash
Selective Plating
01=Tin
05=Gold Flash/Tin

Color
1=Black

Standard Packing
C=Tube
Selective Packing
A=Box
E=CAP+Tube
F=CAP+Tape&Reel
G=Acetate Tape+Tube
H=Acetate Tape+Tape&Reel

格稜股份有限公司
Greenconn Corporation

GENERAL TOLERANCE	
X.*±5.0°	X.±0.30
.X*±3.0°	.X±0.25
.XX*±2.0°	.XX±0.15
.XXX*±1.0°	.XXX±0.10

DESIGNED: 胡金花	DATE: 2016.03.24
CHECKED: 曹 熙	DATE:
CO SIGNED: 劉北平	DATE: 2016.03.24
APPROVED: 李 輝	DATE:

DWG. NO.	CSFC208-CA1RA
PART NO.	CSFC208-XXXX A001R1AX

TITLE.	2.0 FEMALE HEADER DUAL ROW SMT TYPE BASE 4.30 H
--------	---

REV.	UNIT.	SCALE.	PAGE.
02	mm	4:1	1/1