

LAYOUT SHOWN AS EXAMPLE

Keying Shown as example

CHARACTERISTICS

- Standard : Based on MIL-DTL-38999 Series III
- Shell Material : Aluminium
- Shell Plating : Olive drab Cadmium
- Insulator : Thermoplastic
- Contacts : Copper Alloy
- Seals & Grommet : Silicon Elastomer
- Contact Plating : Gold over copper Alloy 0.8µm minimum
- Durability : 500 Mating cycles
- Delivered with Souriau contacts and Accessories
- Temperature Range : -65°C to +175°C
- Salt Spray : 500 hours
- Mass : 66.43 g ± 10%

| Connector dimension | |
|---------------------|---------------|
| Dim | Nominal |
| P | 3.91±0.2 |
| PP | 6.15±0.2 |
| R1 | 34.93 |
| R2 | 31.75 |
| S | 42.9±0.3 |
| V | 20.07+0/-1.25 |
| W | 2.1/3.2 |
| Z | 31.5 Max |
| VV THREAD | M34x1-6g |

SOURIAU shall not be liable for any non-conformity or damage due to a use of the Products which does not comply with the Specifications issued by either of the Parties or by a third party (professional recommendation, technical notice.)

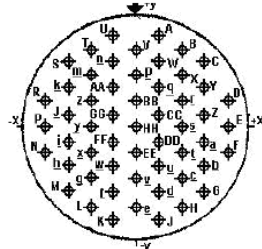
| Country | Jurisdiction & Control List |
|---------|-----------------------------|
| FR | Not Listed |

PN: 8D023W55BB

| | | | |
|----------------|---------------------------------------|--------------------------------|-------------------------------------------------------------------------------------------------------|
| A | 23-09-2016 | First Release | |
| ISS | DATE | Latest modification - by | MOD N° |
| Designed By: | | Date: | CUSTOMER DRAWING |
| TITLE | Aluminium Receptacle 8D series | | |
| SCALE | | General linear Tolerances: ±-- | NPRDS / PROJECT 859 |
| NA | | | This document is the property of SOURIAU it must not be reproduced or communicated without permission |
| SOURIAU | WWW.SOURIAU.COM | | |
| FORMAT | SOURIAU DRG N° 8D023W55BB-C | | SHEET 1/2 |
| A3 | | | |

| | | | | | | | | | |
|----------------|------------------------------------|---|---|----|---|----|---|---|-----------------|
| BASIC SERIES: | 8D | 0 | - | 23 | W | 55 | B | B | ORIENTATION : B |
| SHELL TYPE : | Square Flange Receptacle | | | | | | | | |
| CONTACT TYPE : | Standard Crimp Contact | | | | | | | | |
| SHELL SIZE : | 23 | | | | | | | | |
| PLATING : | W = Olive drab Cadmium | | | | | | | | |
| | CONTACT TYPE : SOCKET(500 Matings) | | | | | | | | |
| | CONTACT LAYOUT : 23-55 | | | | | | | | |

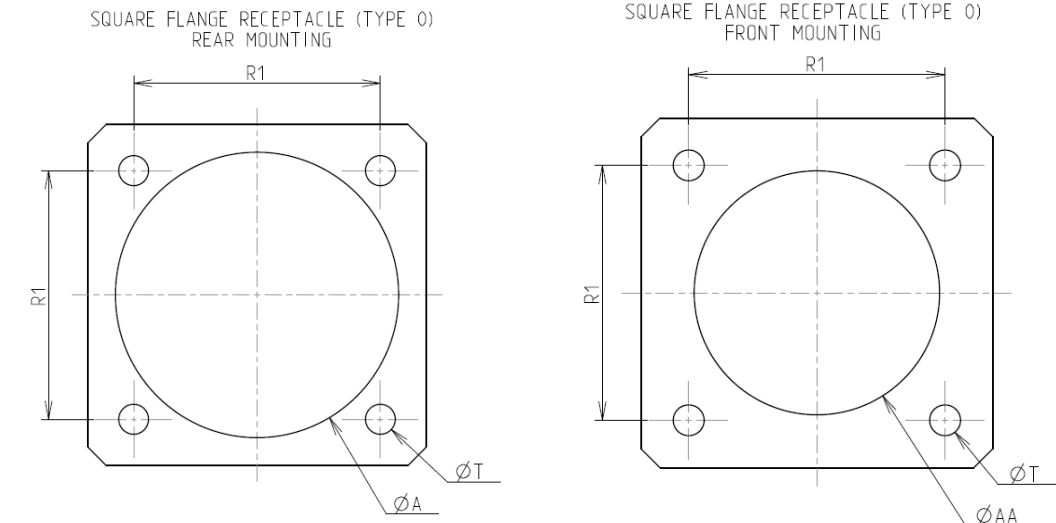
Contact Layout



| Contact position ID | Location | | Contact position ID | Location | |
|---------------------|--------------|--------------|---------------------|-------------|-------------|
| | X-axis (mm) | Y-axis (mm) | | X-axis (mm) | Y-axis (mm) |
| A | +112 (2.84) | +455 (11.56) | f | -112 (2.84) | -325 (8.26) |
| B | +225 (5.72) | +390 (9.91) | g | -225 (5.72) | -260 (6.60) |
| C | +336 (8.53) | +325 (8.26) | h | -336 (8.53) | -195 (4.95) |
| D | +450 (11.43) | +130 (3.30) | i | -336 (8.53) | -065 (1.65) |
| E | +450 (11.43) | +000 (0.00) | j | -336 (8.53) | +065 (1.65) |
| F | +450 (11.43) | -130 (3.30) | k | -336 (8.53) | +195 (4.95) |
| G | +336 (8.53) | -325 (8.26) | m | -225 (5.72) | +260 (6.60) |
| H | +225 (5.72) | -390 (9.91) | n | -112 (2.84) | +325 (8.26) |
| J | +112 (2.84) | -455 (11.56) | p | +000 (0.00) | +260 (6.60) |
| K | -112 (2.84) | -455 (11.56) | q | +112 (2.84) | +195 (4.95) |
| L | -225 (5.72) | -390 (9.91) | r | +225 (5.72) | +130 (3.30) |
| M | -336 (8.53) | -325 (8.26) | s | +225 (5.72) | +000 (0.00) |
| N | -450 (11.43) | -130 (3.30) | t | +225 (5.72) | -130 (3.30) |
| P | -450 (11.43) | +000 (0.00) | u | +112 (2.84) | -195 (4.95) |
| R | -450 (11.43) | +130 (3.30) | v | +000 (0.00) | -260 (6.60) |
| S | -336 (8.53) | +325 (8.26) | w | -112 (2.84) | -195 (4.95) |
| T | -225 (5.72) | +390 (9.91) | x | -225 (5.72) | -130 (3.30) |
| U | -112 (2.84) | +455 (11.56) | y | -225 (5.72) | +000 (0.00) |
| V | +000 (0.00) | +390 (9.91) | z | -225 (5.72) | +130 (3.30) |
| W | +112 (2.84) | +325 (8.26) | AA | -112 (2.84) | +195 (4.95) |
| X | +225 (5.72) | +260 (6.60) | BB | +000 (0.00) | +130 (3.30) |
| Y | +336 (8.53) | +195 (4.95) | CC | +112 (2.84) | +065 (1.65) |
| Z | +336 (8.53) | +065 (1.65) | DD | +112 (2.84) | -065 (1.65) |
| a | +336 (8.53) | -065 (1.65) | EE | +000 (0.00) | -130 (3.30) |
| b | +336 (8.53) | -195 (4.95) | FF | -112 (2.84) | -065 (1.65) |
| c | +225 (5.72) | -260 (6.60) | GG | -112 (2.84) | +065 (1.65) |
| d | +112 (2.84) | -325 (8.26) | HH | +000 (0.00) | +000 (0.00) |
| e | +000 (0.00) | -390 (9.91) | --- | --- | --- |

| Shell size | Arrangement no. | Number of contacts | Size contacts | Service rating | Contact location | Supersedes |
|------------|-----------------|--------------------|---------------|----------------|------------------|------------|
| 23 | 55 | 55 | 20 | I | All | --- |

Panel Cutout



| Dim | Nominal |
|-----|------------|
| ØA | 39.29 min |
| ØAA | 34.93 min |
| R1 | 34.93 |
| ØT | 3.91 ±0.13 |

SOURIAU shall not be liable for any non-conformity or damage due to a use of the Products which does not comply with the Specifications issued by either of the Parties or by a third party (professional recommendation, technical notice.)

| Country | Jurisdiction & Control List |
|---------|-----------------------------|
| FR | Not Listed |

PN: 8D023W55BB

| | | | |
|----------------|------------------------------------|--------------------------------|-------------------------------------------------------------------------------------------------------|
| A | 23-09-2016 | First Release | |
| ISS | DATE | Latest modification - by | MOD N° |
| Designed By: | | Date: | CUSTOMER DRAWING |
| TITLE | Aluminium Receptacle 8D series | | |
| SCALE | | General linear Tolerances: ±-- | NPRDS / PROJECT 859 |
| SOURIAU | WWW.SOURIAU.COM | | This document is the property of SOURIAU it must not be reproduced or communicated without permission |
| FORMAT | SOURIAU DRG N° 8D023W55BB-C | | SHEET 2/2 |