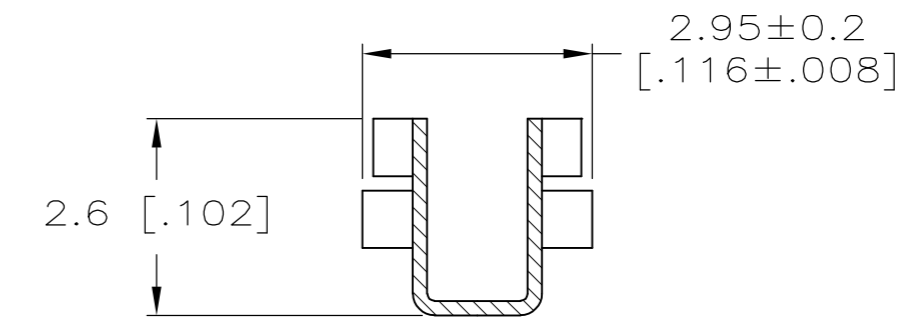
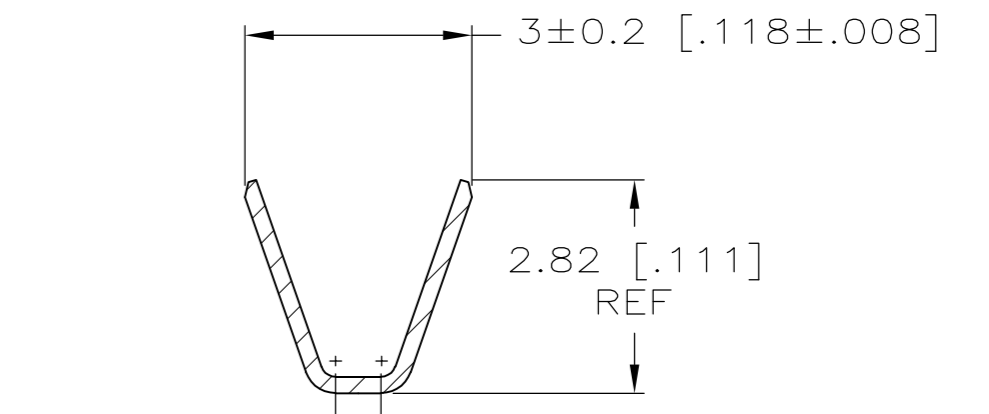
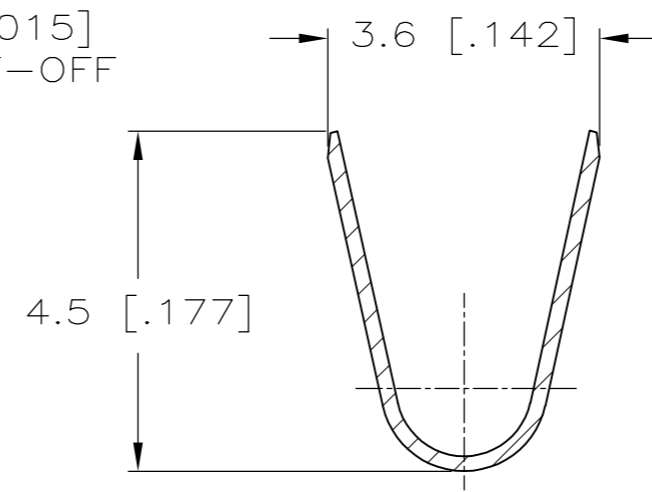
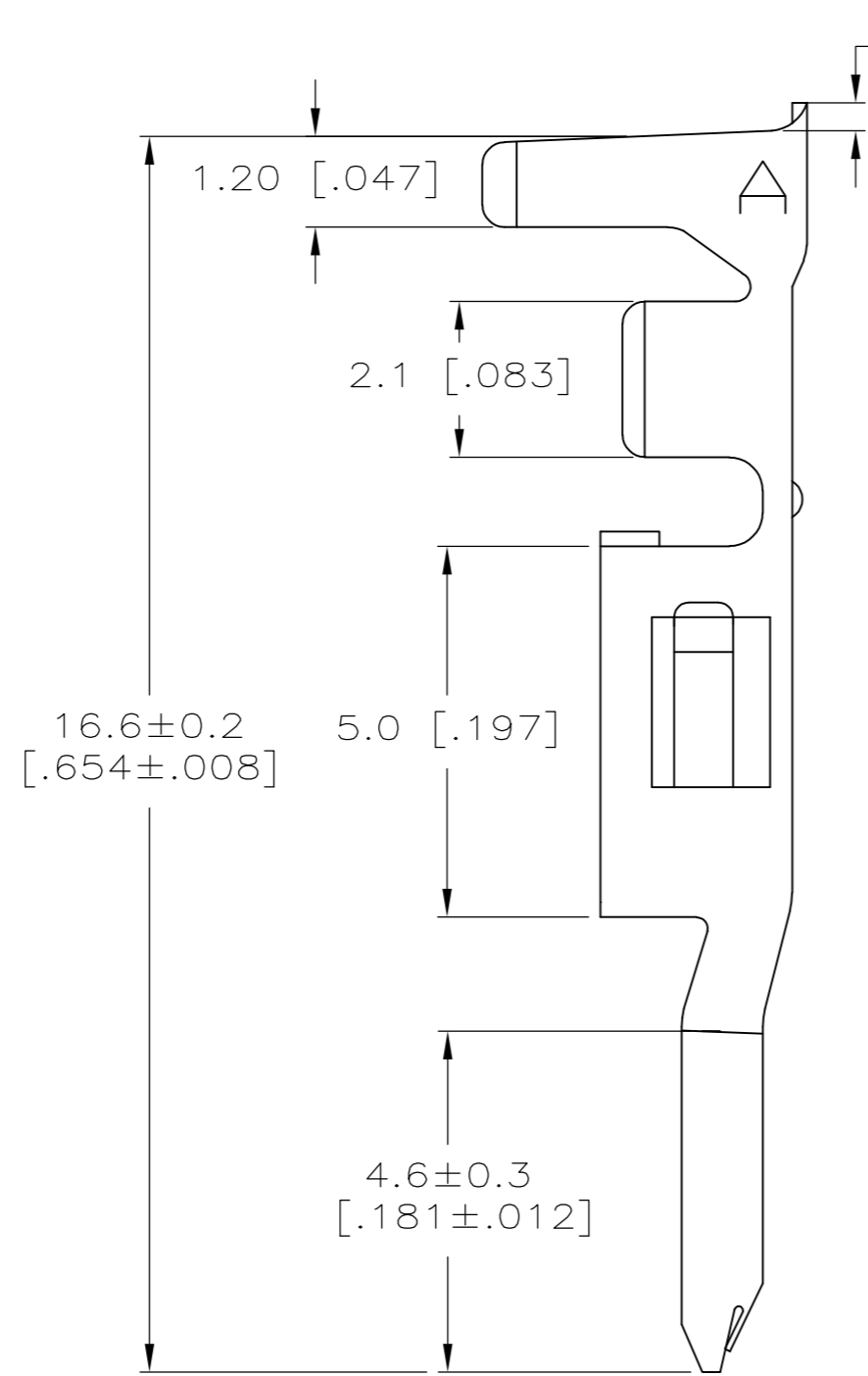
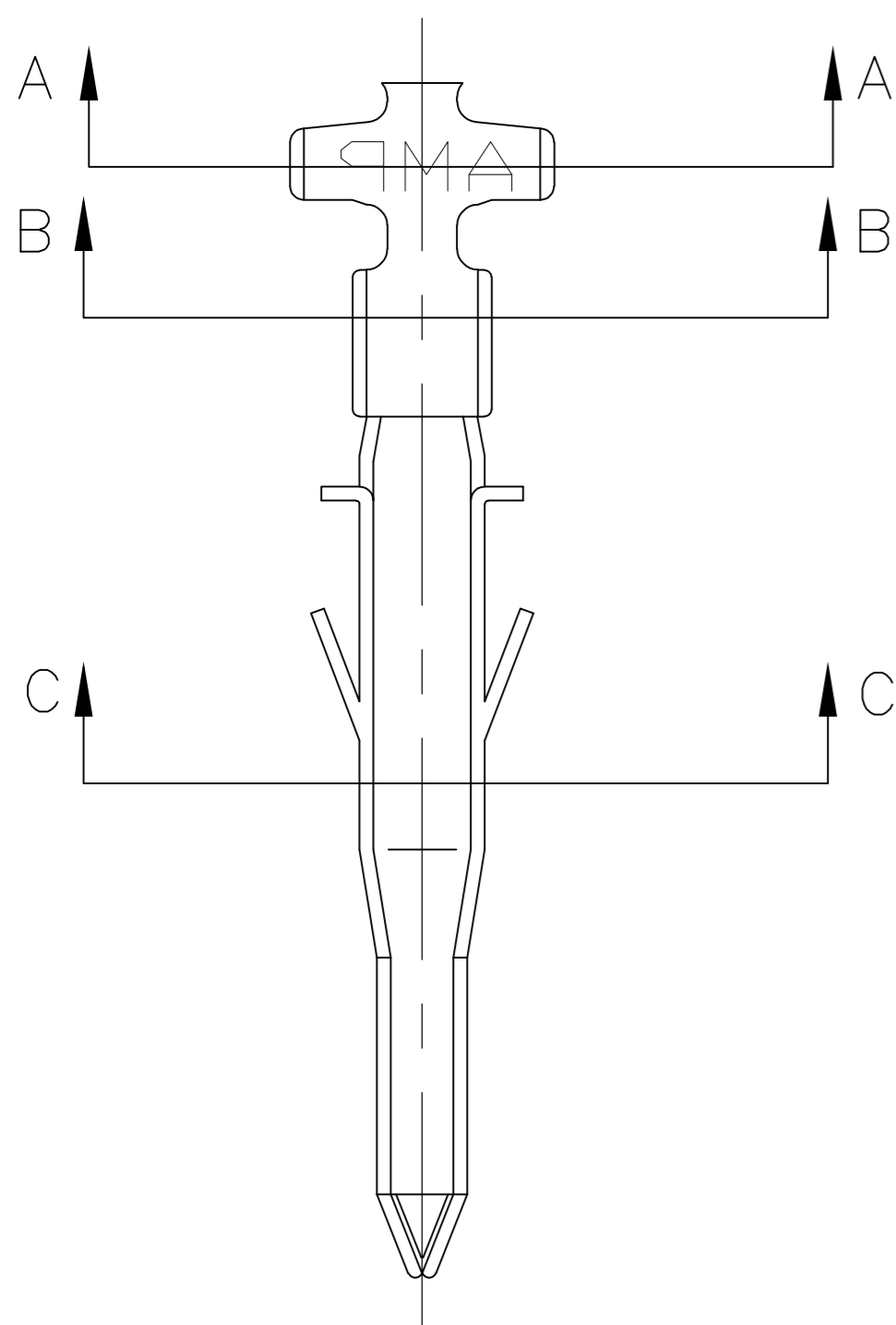


THIS DRAWING IS UNPUBLISHED. RELEASED FOR PUBLICATION
 © COPYRIGHT - By - ALL RIGHTS RESERVED.

REVISIONS					
P	LTR	DESCRIPTION	DATE	DWN	APVD
A		FIRST RELEASED	15AUG2017	WH	DZ

- WIRE SIZE: 1.31mm² (16 AWG)
- INSULATION RANGE: DIA 1.80-3.10mm [.071-.122 in].
- FINISH: 2.54um MIN PRE-TIN ALL OVER, WITH 0.762um MIN NICKEL UNDER-PLATING ALL OVER.
- MATING PART: 2825207-1 (STRIP TYPE) OR 2825209-1 (LOOSE TYPE)



PRE-TIN $\triangle 3$	HIGH PERFORMANCE COPPER ALLOY	2825208-1
FINISH	MATERIAL	PART NO.

THIS DRAWING IS A CONTROLLED DOCUMENT.		DWN WARREN HUO 15AUG2017	STE TE Connectivity	
DIMENSIONS: mm [INCHES]		CHK DANIEL ZHANG 15AUG2017		
TOLERANCES UNLESS OTHERWISE SPECIFIED:		APVD DANIEL ZHANG 15AUG2017	NAME	
0 PLC ±		PRODUCT SPEC	TERMINAL, PIN (LOOSE PIECE)	
1 PLC ± 0.25 [.010]		108-150000	VAL-U-LOK(TM) HCS	
2 PLC ± 0.13 [.005]		APPLICATION SPEC	SIZE	CAGE CODE
3 PLC ±		114-13172	A2	00779
4 PLC ±		WEIGHT	DRAWING NO	
ANGLES ± 0°30'		0	C=2825208	
MATERIAL	FINISH	CUSTOMER DRAWING	SCALE	SHEET
SEE TABLE	SEE TABLE		N/A	1 OF 1
			REV	A

2825208