

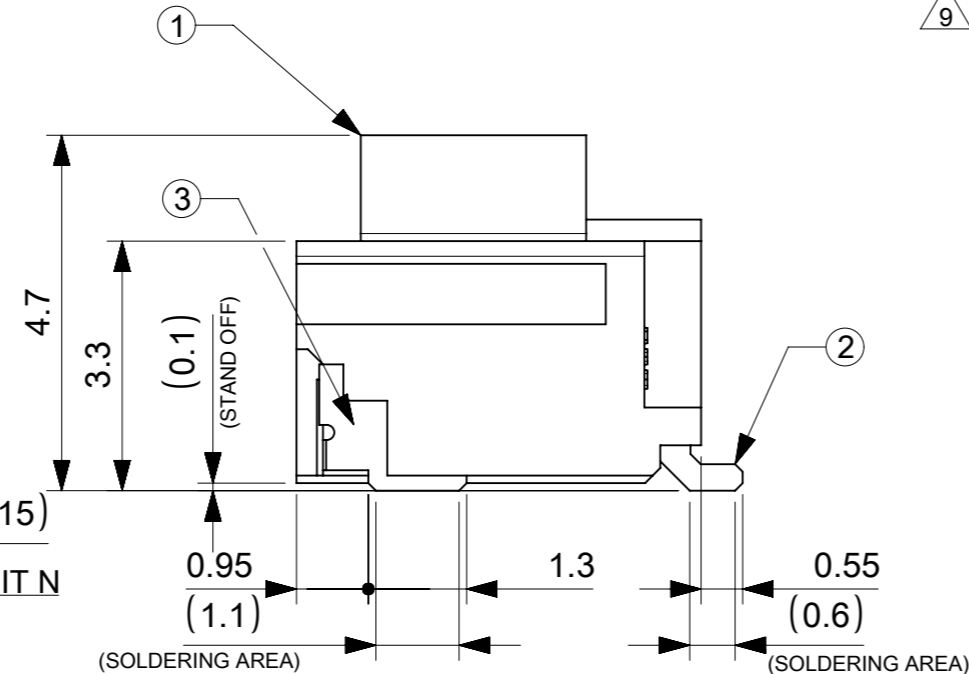
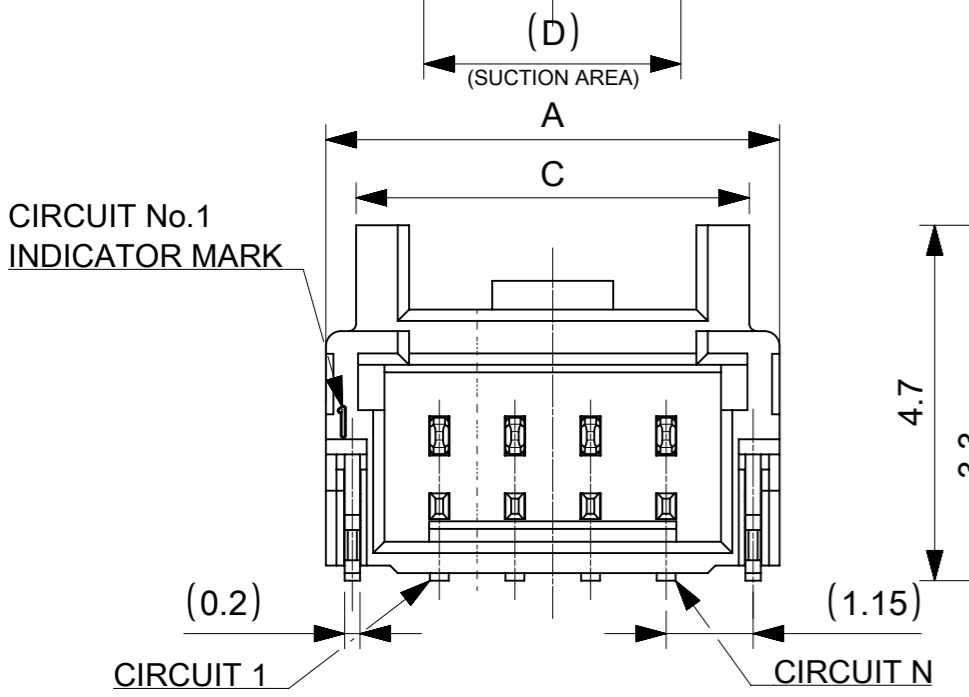
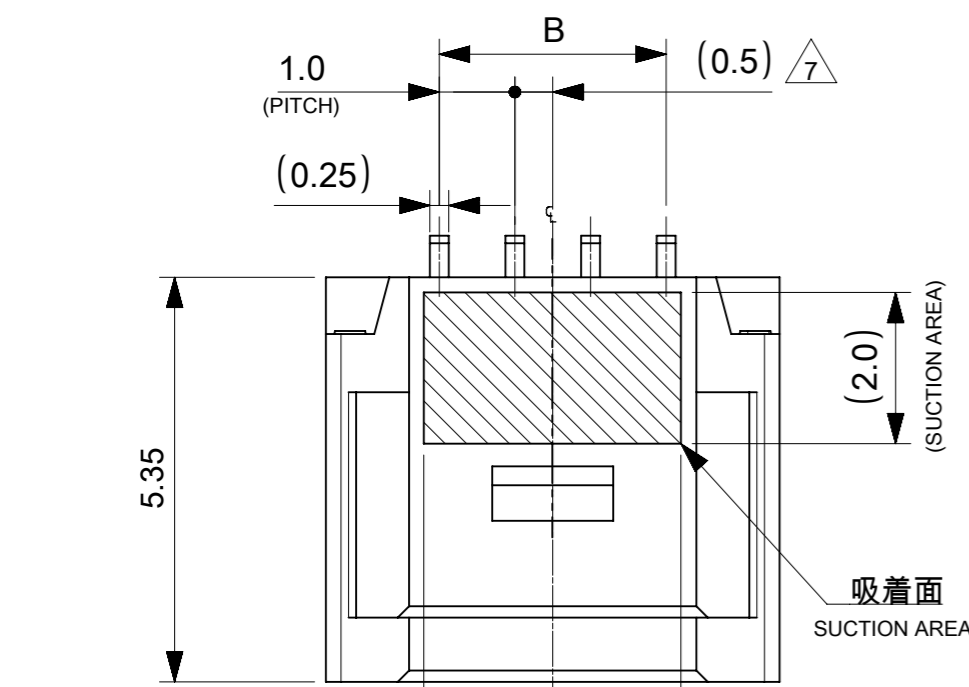
NOTES

- ① 材料及び仕上げ(めっき仕様) : TABLE 1 参照  
MATERIAL AND FINISHES : SEE TABLE 1
- ② 製品仕様書 : 5019390000-PS PS 003  
PRODUCT SPECIFICATION:
- ③ 梱包形態 : SEE SHEET 4  
PACKAGING INFORMATION:
- ④ 嵌合相手 : 501939 シリーズ  
MATES WITH : 501939 SERIES
- ⑤ アプリケーション仕様書(コネクタ取扱い説明書) : 5013300000-AS PS 001  
APPLICATION SPECIFICATION(CONNECTOR MANUAL):
- ⑥ ソルダーピン及びネイルの平坦度:0.1 MAX  
SOLDER PIN AND NAIL COPLANARITY:
- ⑦ 偶数極に適用  
APPLY FOR EVEN CIRCUIT
- ⑧ 錫めっき品は2083850000-SD PSD 001の図面を御参照下さい。  
PLEASE REFER TO THE DRAWING OF 2083850000-SD PSD 001 FOR TIN PLATING VERSION.

⑨ 製品番号構成 : 発注番号はSHEET 5 参照  
PRODUCT NUMBER COMPOSITION  
ORDER No. : SEE SHEET 5

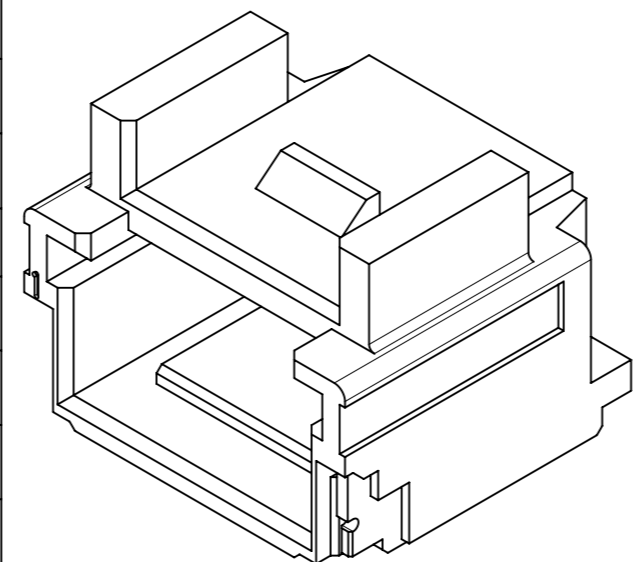
**208385 \*\* \* \***

極数 CIRCUIT SIZE	ハウジングカラー HOUSING COLOR	製品識別番号(めっき厚) IDENTIFICATION NUMBER (PLATING THICKNESS)
	0:NATURAL(BEIGE) 1:BLACK	7: 0.1 MICRO-METER MIN 5: 0.38 MICRO-METER MIN 3: 0.76 MICRO-METER MIN



② TABLE 1

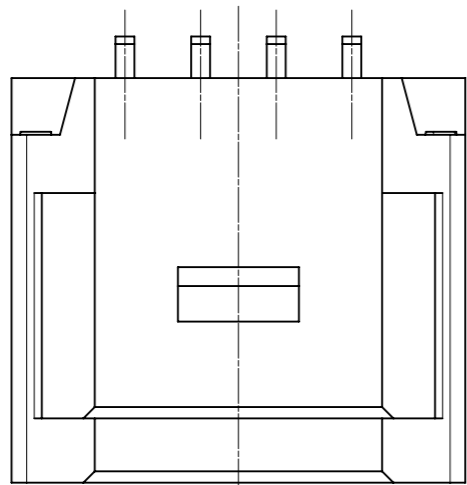
番号 NO.	部品 PART	材質 MATERIAL
①	ウエハー WAFER	ポリアミド(PA), ガラス充填, UL94V-0, LOW HALOGEN, 色 : SEE SHEET 5 POLYAMIDE(PA), GLASS FILLED, UL94V-0, LOW HALOGEN, COLOR : SEE SHEET 5
②	リン青銅 PHOSPHOR BRONZE	
	接点部 CONTACT AREA	金めっき : めっき厚はNOTES 9参照 GOLD PLATING : SEE NOTES 9 ABOUT THICKNESS
	テール部 TAIL AREA	金めっき GOLD PLATING
③	下地めっき UNDER PLATING	ニッケルめっき : 1.27 MICRO-METER MIN NICKEL PLATING
	黄銅 BRASS	
	テール部 TAIL AREA	錫めっき : 1.0 MICRO-METER MIN MATTE TIN PLATING
	下地めっき UNDER PLATING	ニッケルめっき : 1.0 MICRO-METER MIN NICKEL PLATING



3.4	5.2	4.0	7.0	5
		3.0	6.0	4
2.4	4.2	2.0	5.0	3
D	C	B	A	極数 CIRCUIT SIZE

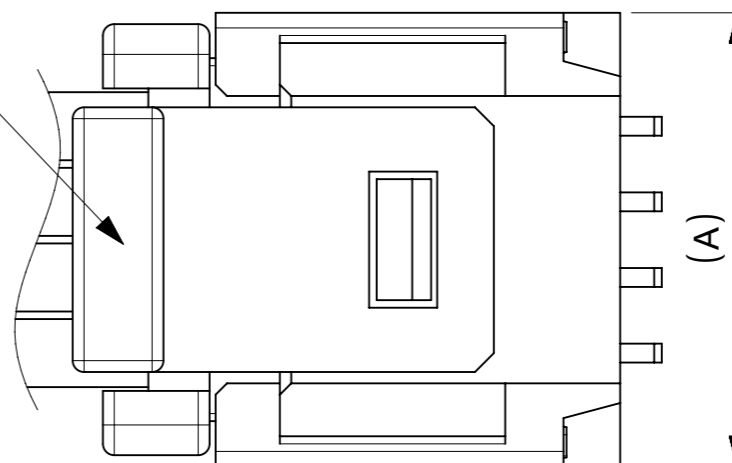
THIS DRAWING CONTAINS INFORMATION THAT IS PROPRIETARY TO MOLEX ELECTRONIC TECHNOLOGIES, LLC AND SHOULD NOT BE USED WITHOUT WRITTEN PERMISSION

DIMENSION UNITS mm	SCALE NTS	CURRENT REV DESC:		<b>molex</b>		
GENERAL TOLERANCES (UNLESS SPECIFIED)		EC NO: 630585				
ANGULAR TOL	± 3.0°	DRWN: AISHIKAWA 2019/10/11		SINGLE ROW R/A SMT OUTER LOCK GOLD PLATING		
4 PLACES	± 0.2	CHK'D: AIDA 2020/01/21		LOW HALOGEN		
3 PLACES	± 0.2	APPR: SAKIYAMA 2020/01/21		PRODUCT CUSTOMER DRAWING		
2 PLACES	± 0.2	INITIAL REVISION:		DOCUMENT NUMBER		
1 PLACE	± 0.2	DRWN: AISHIKAWA 2019/10/11		2083850000-SD		
0 PLACES	± 0.2	APPR: SAKIYAMA 2020/01/21		PSD 000 A		
DRAFT WHERE APPLICABLE MUST REMAIN WITHIN DIMENSIONS		THIRD ANGLE PROJECTION	DRAWING	SERIES	MATERIAL NUMBER	CUSTOMER
			A3-SIZE	208385	SEE SHEET 5	SHEET NUMBER
						1 OF 5

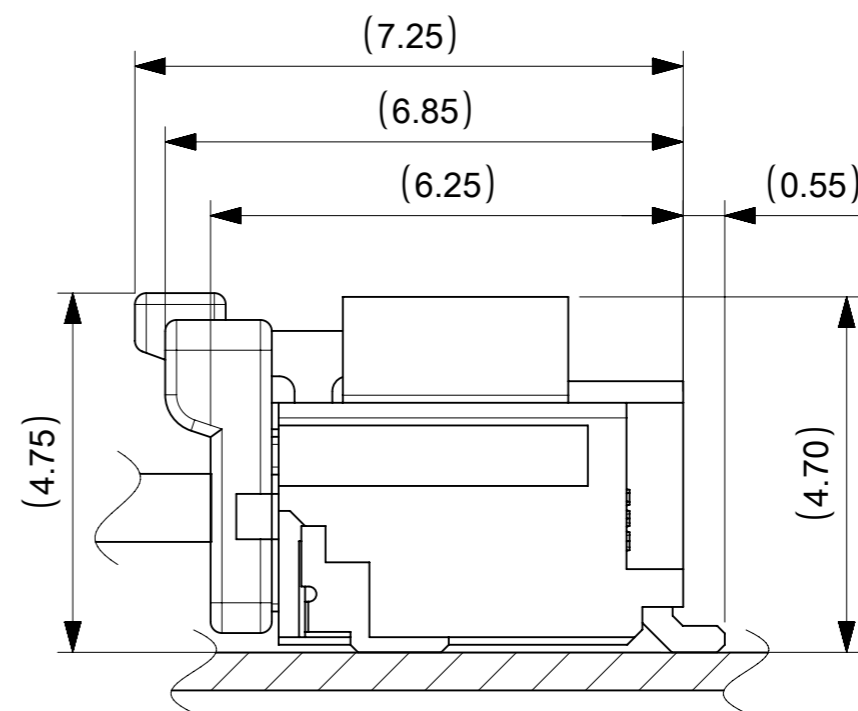
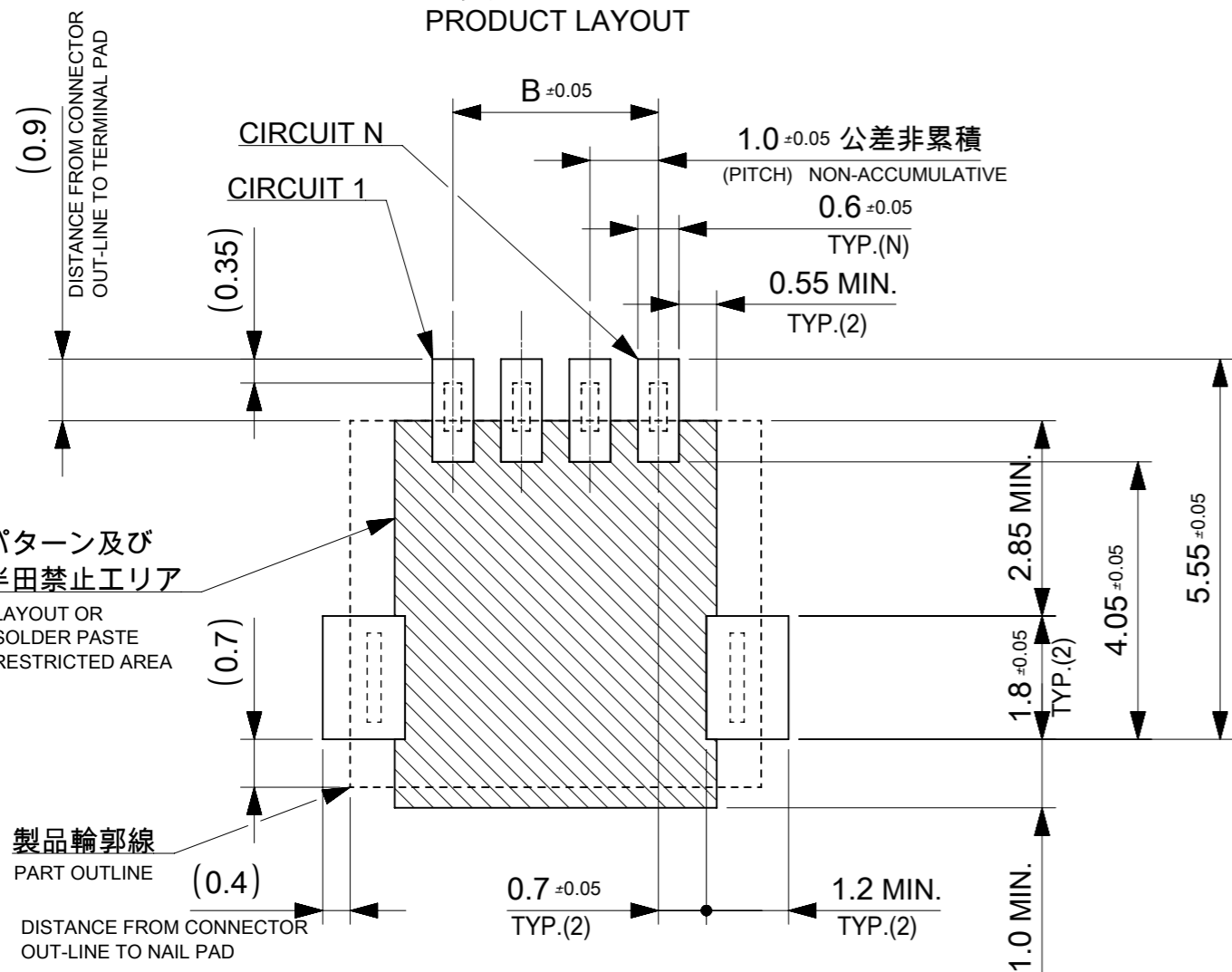


製品レイアウト  
PRODUCT LAYOUT

4 嵌合相手 : 501939シリーズ  
MATE WITH: 501939 SERIES



(A)

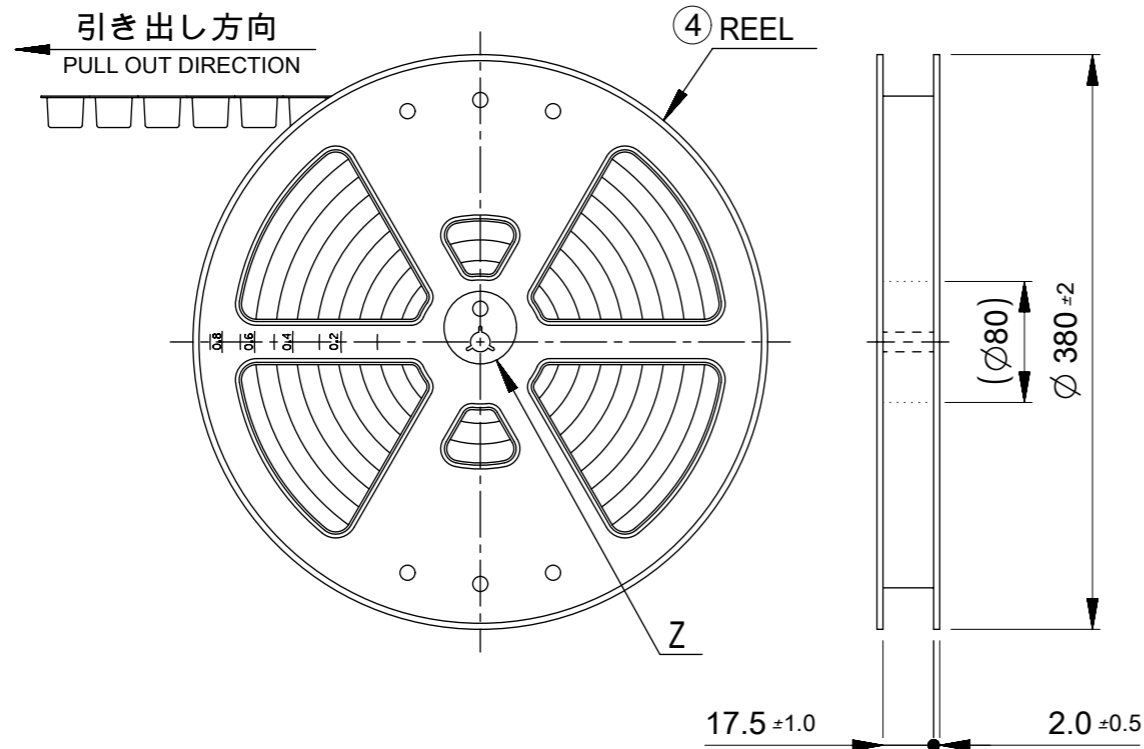


嵌合図  
MATED CONNECTORS

推奨基板レイアウト(全極数適応) : 実装面側  
 (参考 : 基板厚 1.0mm, メタルマスク厚さ 0.12mm, マスク開口率100%)  
 POLARIZED RECOMMENDED PCB LAYOUT(APPLY TO ALL CIRCUITS) : COMPONENT SIDE  
 (REFERENCE: PCB THICKNESS 1.0mm, STENCIL THICKNESS 0.12mm, APERTURE RATIO 100%)

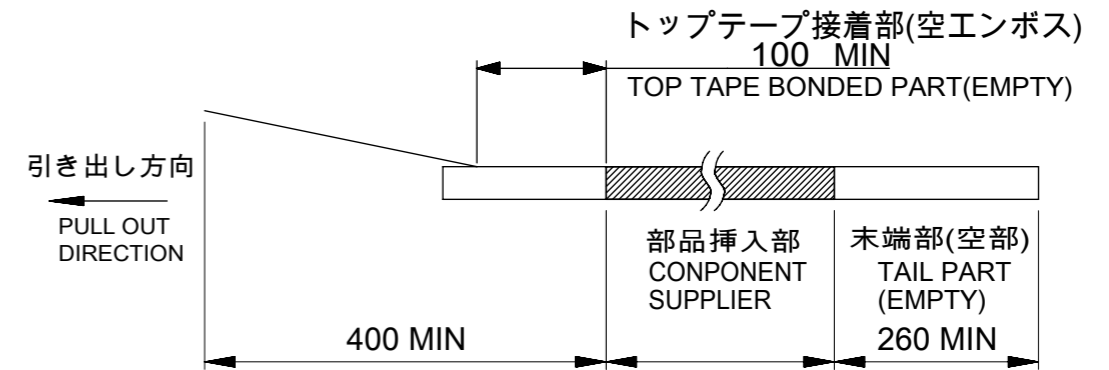
:パターン禁止エリア  
RESTRICTED AREA  
NO PCB COMPONENTS ALLOWED

THIS DRAWING CONTAINS INFORMATION THAT IS PROPRIETARY TO MOLEX ELECTRONIC TECHNOLOGIES, LLC AND SHOULD NOT BE USED WITHOUT WRITTEN PERMISSION		CURRENT REV DESC:		<b>molex</b>	
DIMENSION UNITS	SCALE				
mm	NTS			PICO-CLASP 1.0 W/B SINGLE ROW R/A SMT OUTER LOCK GOLD PLATING LOW HALOGEN	
GENERAL TOLERANCES (UNLESS SPECIFIED)				PRODUCT CUSTOMER DRAWING	
ANGULAR TOL	± 3.0 °	EC NO:	630585	DOCUMENT NUMBER	
4 PLACES	± 0.2	DRWN:	AISHIKAWA 2019/10/11	2083850000-SD	
3 PLACES	± 0.2	CHK'D:	AIDA 2020/01/21	DOC TYPE	DOC PART
2 PLACES	± 0.2	APPR:	SAKIYAMA 2020/01/21	PSD	000
1 PLACE	± 0.2	INITIAL REVISION:		REVISION	
0 PLACES	± 0.2	DRWN:	AISHIKAWA 2019/10/11	A	
DRAFT WHERE APPLICABLE MUST REMAIN WITHIN DIMENSIONS		APPR:	SAKIYAMA 2020/01/21	MATERIAL NUMBER	CUSTOMER
THIRD ANGLE PROJECTION		DRAWING	SERIES	SEE SHEET 5	SHEET NUMBER
		A3-SIZE	208385		2 OF 5

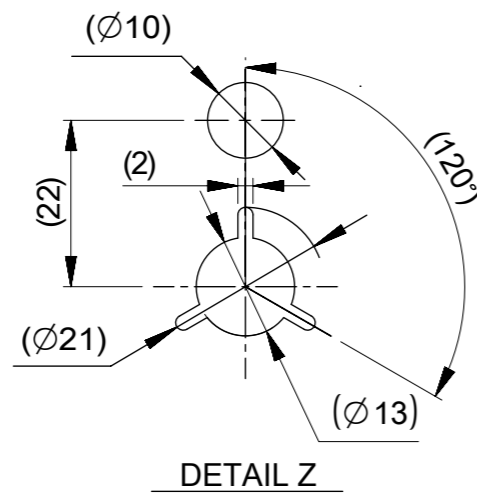


NOTES

- 10. 梱包数量:1300個/リール  
NUMBER OF CONNECTORS : 1300 PIECES/REEL
- 11. リードテープ長さ  
LEAD TAPE LENGTH



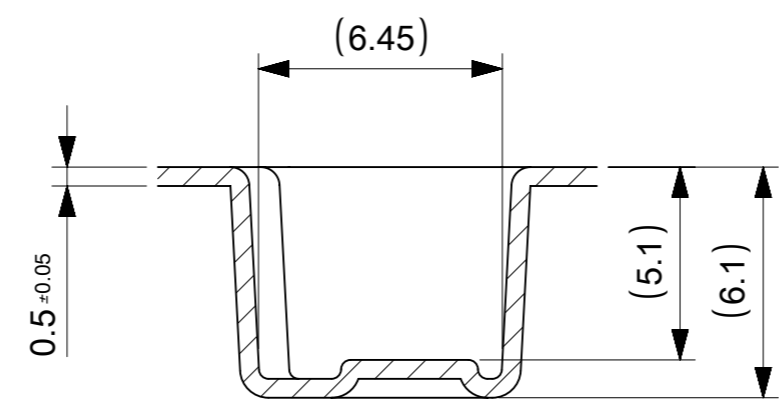
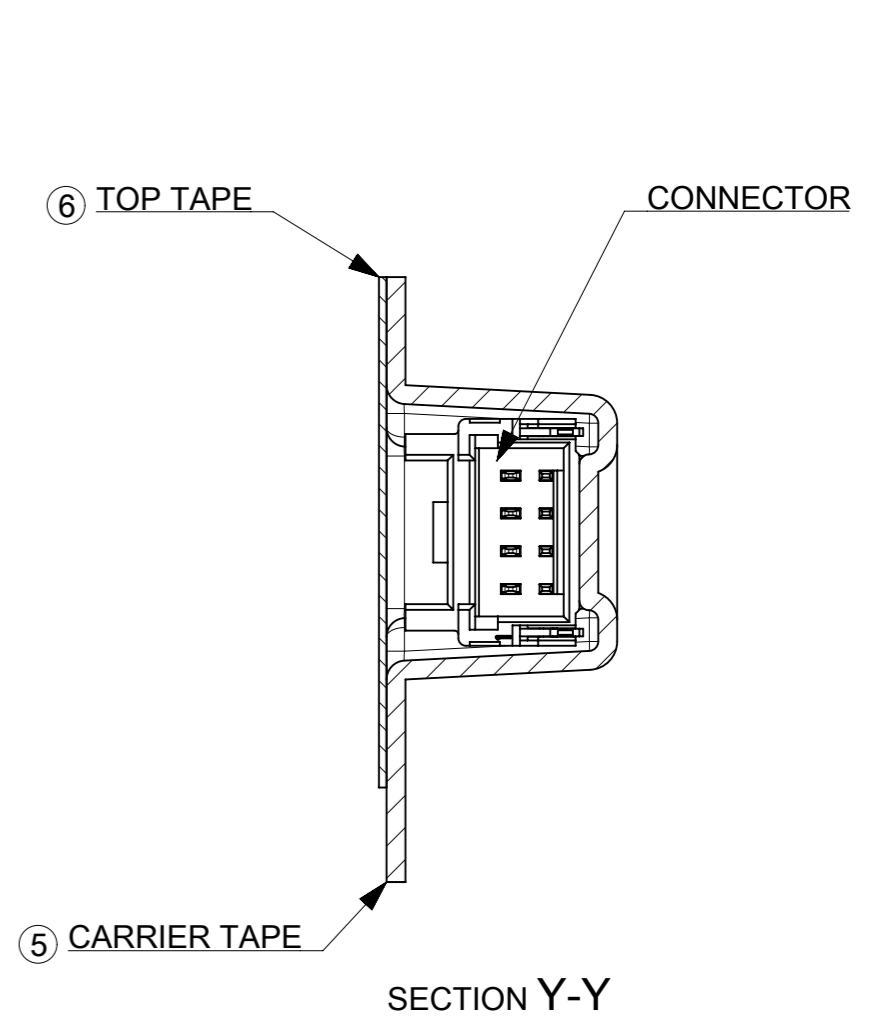
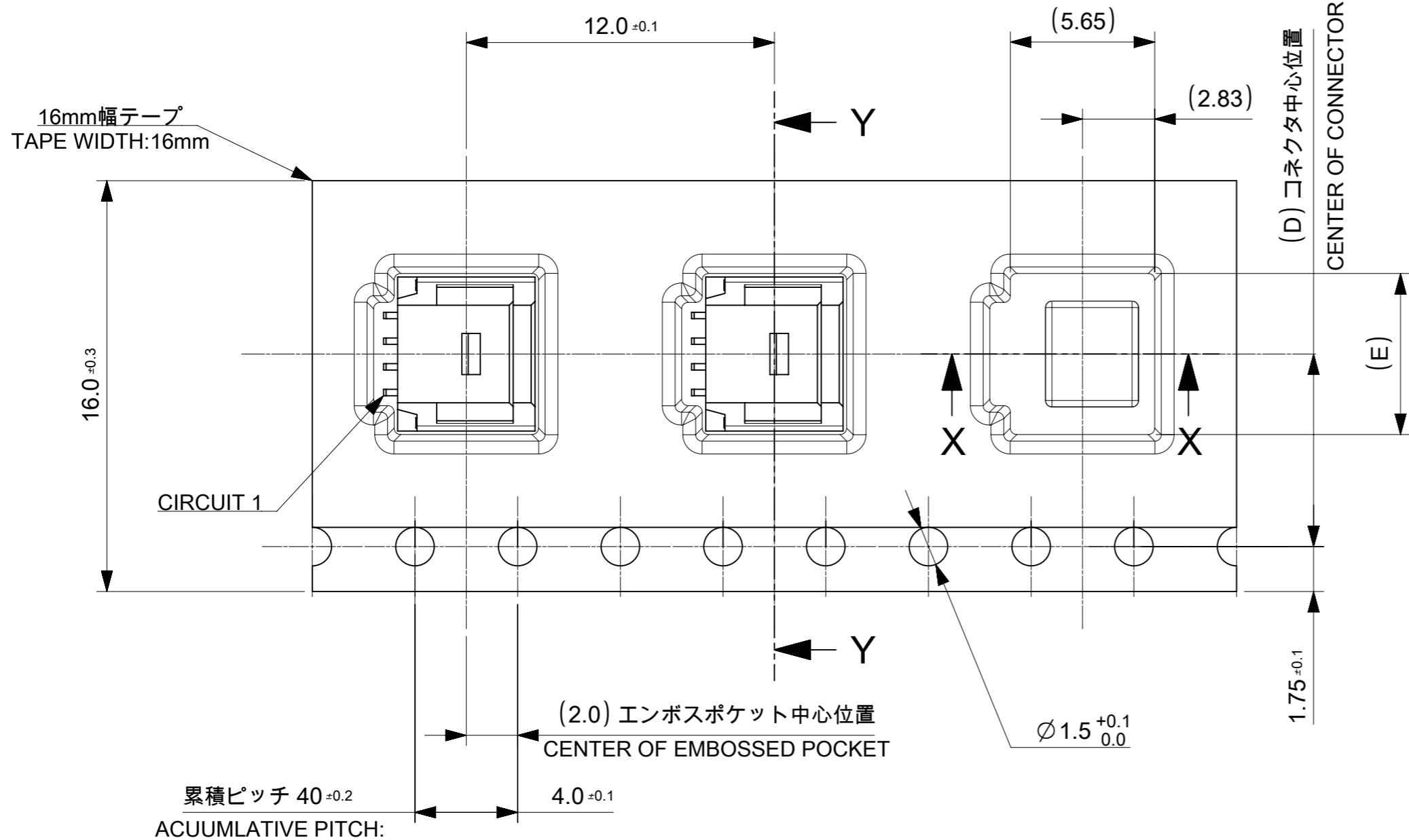
- 12. トップテープの剥離強度はIEC60286-3に準拠。  
TOP TAPE PEELING FORCE IS DEFINED BY IEC60286-3.
- 13. 梱包仕様書 : 2083859200-SPK PS 200  
PACKAGE SPECIFICATION:



THIS DRAWING CONTAINS INFORMATION THAT IS PROPRIETARY TO MOLEX ELECTRONIC TECHNOLOGIES, LLC AND SHOULD NOT BE USED WITHOUT WRITTEN PERMISSION		CURRENT REV DESC:		<b>molex</b>	
DIMENSION UNITS	SCALE				
mm	NTS			PRODUCT CUSTOMER DRAWING	
GENERAL TOLERANCES (UNLESS SPECIFIED)		EC NO: 630585		DOCUMENT NUMBER	
ANGULAR TOL	± 3.0 °	DRWN: AISHIKAWA 2019/10/11		2083850000-SD	
4 PLACES	± 0.2	CHK'D: AIDA 2020/01/21		DOC TYPE	DOC PART
3 PLACES	± 0.2	APPR: SAKIYAMA 2020/01/21		PSD	000
2 PLACES	± 0.2	INITIAL REVISION:		REVISION	A
1 PLACE	± 0.2	DRWN: AISHIKAWA 2019/10/11		MATERIAL NUMBER	
0 PLACES	± 0.2	APPR: SAKIYAMA 2020/01/21		CUSTOMER	
DRAFT WHERE APPLICABLE MUST REMAIN WITHIN DIMENSIONS		THIRD ANGLE PROJECTION	DRAWING	SERIES	SHEET NUMBER
			A3-SIZE	208385	SEE SHEET 5

番号 NO.	部品 PART	材質 MATERIAL
④	リール REEL	ポリスチレン(PS) <リサイクル材を含む> POLYSTYRENE(PS) <RECYCLE MATERIAL CONTAINED>
DOCUMENT STATUS	P1	RELEASE DATE 2020/01/21 04:06:40

引き出し方向  
PULL OUT DIRECTION



7.3	7.5	5
6.3		4
5.3		3
E	コネクタ中心位置 D CENTER OF CONNECTOR	極数 CIRCUIT SIZE

THIS DRAWING CONTAINS INFORMATION THAT IS PROPRIETARY TO MOLEX ELECTRONIC TECHNOLOGIES, LLC AND SHOULD NOT BE USED WITHOUT WRITTEN PERMISSION		CURRENT REV DESC:		<b>molex</b>	
DIMENSION UNITS	SCALE	EC NO: 630585			
mm	NTS	DRWN: AISHIKAWA 2019/10/11		SINGLE ROW R/A SMT OUTER LOCK GOLD PLATING	
GENERAL TOLERANCES (UNLESS SPECIFIED)		CHK'D: AIDA 2020/01/21		LOW HALOGEN	
ANGULAR TOL	± 3.0 °	APPR: SAKIYAMA 2020/01/21		PRODUCT CUSTOMER DRAWING	
4 PLACES	± 0.2	INITIAL REVISION:		DOCUMENT NUMBER	DOC TYPE
3 PLACES	± 0.2	DRWN: AISHIKAWA 2019/10/11		2083850000-SD	PSD
2 PLACES	± 0.2	APPR: SAKIYAMA 2020/01/21		000	A
1 PLACE	± 0.2	DRAFT WHERE APPLICABLE MUST REMAIN WITHIN DIMENSIONS		MATERIAL NUMBER	CUSTOMER
0 PLACES	± 0.2	THIRD ANGLE PROJECTION	DRAWING	208385	SEE SHEET 5
		A3-SIZE	SERIES	208385	SHEET NUMBER
					4 OF 5

番号 NO.	部品 PART	材質 MATERIAL
⑤	キャリアテープ CARRIER TAPE	ポリプロピレン(PP)、その他 POLYPROPYLEN(PP), etc
⑥	トップテープ TOP TAPE	ポリエチレン(PE)、その他 POLYETHYLENE(PE), etc

DOCUMENT STATUS	P1	RELEASE DATE	2020/01/21	04:06:40
-----------------	----	--------------	------------	----------

9 8 7 6 5 4 3 2 1

E

D

C

B

A

△ 製品一覧 PRODUCT LIST

0.76 MICRO-METER		0.38 MICRO-METER		0.1 MICRO-METER		金めっき厚 GOLD PLATING THICKNESS
黒 BLACK	自然色 NATURAL(BEIGE)	黒 BLACK	自然色 NATURAL(BEIGE)	黒 BLACK	自然色 NATURAL(BEIGE)	色 COLOR
208385 0513	208385 0503	208385 0515	208385 0505	208385 0517	208385 0507	5
208385 0413	208385 0403	208385 0415	208385 0405	208385 0417	208385 0407	4
208385 0313	208385 0303	208385 0315	208385 0305	208385 0317	208385 0307	3
発注番号 ORDER No. ----- PACKAGING STYLE : EMBOSSED TAPE AND REEL						極数 CIRCUIT SIZE

THIS DRAWING CONTAINS INFORMATION THAT IS PROPRIETARY TO MOLEX ELECTRONIC TECHNOLOGIES, LLC AND SHOULD NOT BE USED WITHOUT WRITTEN PERMISSION									
DIMENSION UNITS		SCALE		CURRENT REV DESC:					
mm		NTS		<b>molex</b> PICO-CLASP 1.0 W/B SINGLE ROW R/A SMT OUTER LOCK GOLD PLATING LOW HALOGEN PRODUCT CUSTOMER DRAWING					
GENERAL TOLERANCES (UNLESS SPECIFIED)									
ANGULAR TOL		± 3.0 °							
4 PLACES		± 0.2							
3 PLACES		± 0.2							
2 PLACES		± 0.2							
1 PLACE		± 0.2		EC NO: 630585		2019/10/11		DOCUMENT NUMBER <b>2083850000-SD</b>	
0 PLACES		± 0.2		DRWN: AISHIKAWA		2020/01/21			
				CHK'D: AIDA		2020/01/21			
DRAFT WHERE APPLICABLE MUST REMAIN WITHIN DIMENSIONS		THIRD ANGLE PROJECTION		DRAWING		SERIES		CUSTOMER	
				A3-SIZE		208385		SEE SHEET 5	
								SHEET NUMBER 5 OF 5	

DOCUMENT STATUS	P1	RELEASE DATE	2020/01/21	04:06:40
-----------------	----	--------------	------------	----------

9 8 7 6 5 4 3 2 1

FORMAT: master-ib-prod-A3  
REVISION: 11  
DATE: 2018/01/18