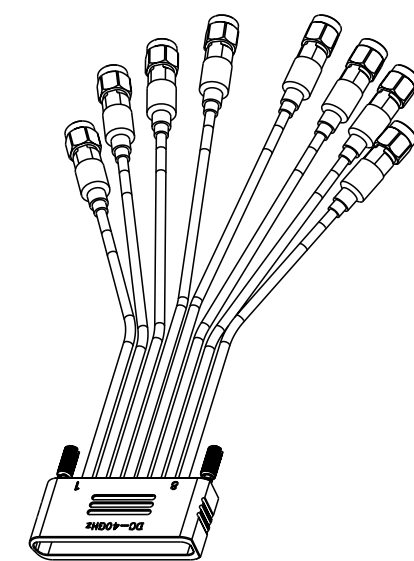
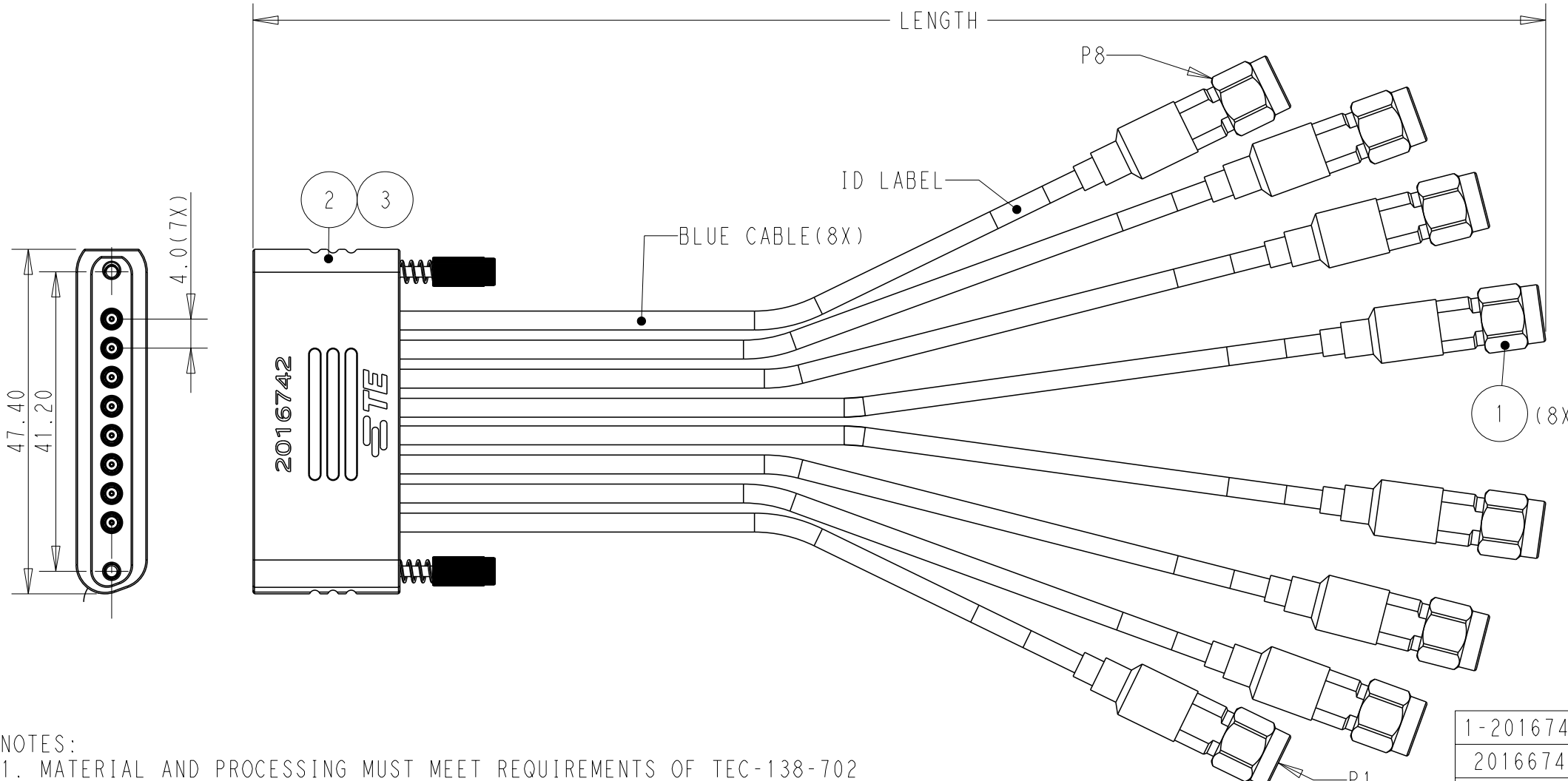


REVISIONS

P	LTR	DESCRIPTION	DATE	DWN	APVD
A		INITIAL CREATED	15MAY2022	CL	WH



NOTES:

- MATERIAL AND PROCESSING MUST MEET REQUIREMENTS OF TEC-138-702
- MATERIAL CHARACTER  
2.92 CONNECOTR:  
BODY & NUT: STAINLESS STEEL  
CONTACT: BeCU GOLD PLATING  
INSULATION: PEI  
CABLE: HI-FLEXIBLE, BLUE
- PRODUCT RATING:  
TEMPERATURE: -40°C TO +85°C  
VOLTAGE: 250V (RMS)  
CHARACTERISTIC IMPEDANCE: 50 OHMS Normal  
FREQUENCY RANGE: DC TO 40GHz  
DURABILITY: NO LESS THAN 500TIMES  
CABLE RETENTION FORCE: 110N MIN  
BEND RADIUS: 14MM MIN (STATIC)  
35MM MIN(REPEATED)
- CABLE ASSEMBLY TO BE 100% SI TESTED  
VSWR: 1.40:1 MAX @ DC~40GHz  
INSERT LOSS: REFER TO TABLE
- 2.92 CONNECTOR COUPLING TORQUE: 0.9±0.1Nm
- CONNECTOR NEED COVER WITH CAP, PACKAGE FOLLOW TEC-107-115
- MATE WITH 2081408-1(NEED SEPARATE TO BUY)

1-2016742-0	39.4±0.30INCH	1000±15MM	-7.10dB MIN@40GHz
20166742-9	36.0±0.30INCH	910±15MM	-6.60dB MIN@40GHz
20166742-6	24.0±0.25INCH	610±12MM	-4.80dB MIN@40GHz
20166742-3	12.0±0.20INCH	305±9MM	-3.20dB MIN@40GHz
20166742-1	6.0±0.10ICH	153±6MM	-1.70dB MIN@40GHz
TE PN	LENGTH		INSERTION LOSS

2	PC	SCREW	3
1	PC	SHELL	2
8	PC	SMPM TO 2.92,M-M,BLUE CABLE,40GHz	1
Q'TY	UNIT	DESCRIPTION	ITEM

THIS DRAWING IS A CONTROLLED DOCUMENT.		DWN 21APR2022 Cedar Liu		
		CHK 07MAY2022 Cedar Liu		
DIMENSIONS: mm 		TOLERANCES UNLESS OTHERWISE SPECIFIED: 0 PLC ±- 1 PLC ±0.1 2 PLC ±0.01 3 PLC ±0.001 4 PLC ±0.0001 ANGLES ±-		NAME MULTI-PORT CA,8 IN 1,SMPM TO 292 UP TO 40GHz
MATERIAL TBD		FINISH -		SIZE A3 CAGE CODE 00779 DRAWING NO C-2016742
		CUSTOMER DRAWING		RESTRICTED TO - SCALE 1:2 SHEET 1 OF 1 REV A

Printed on 17 May 2022 20:02 (China Standard Time) from JC001678