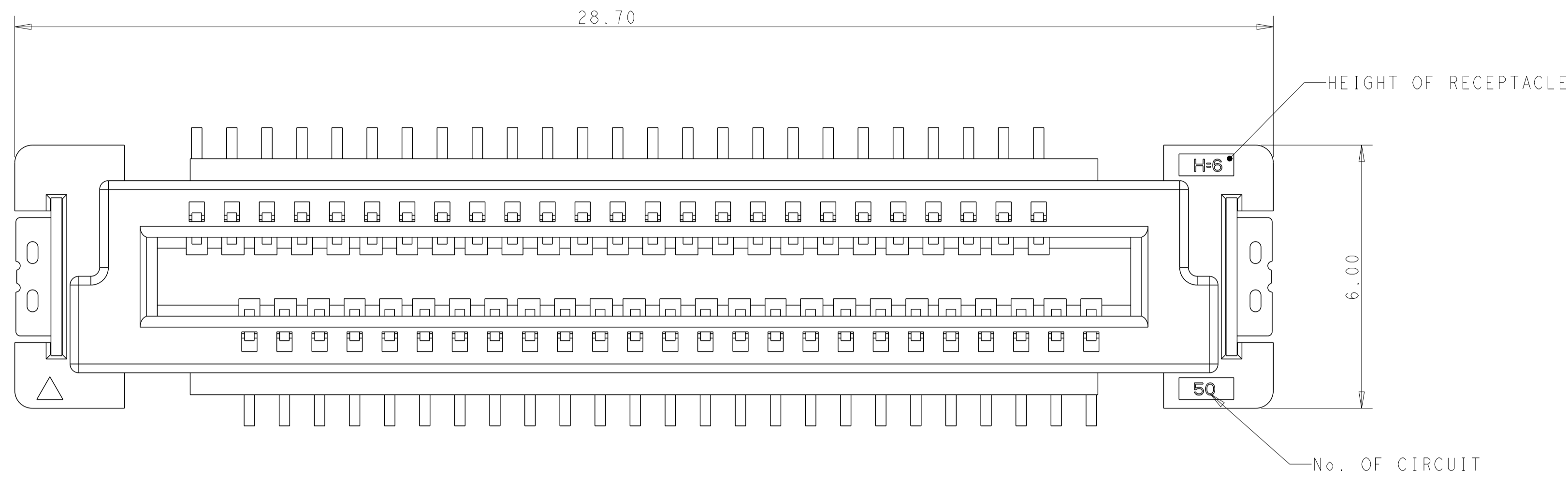
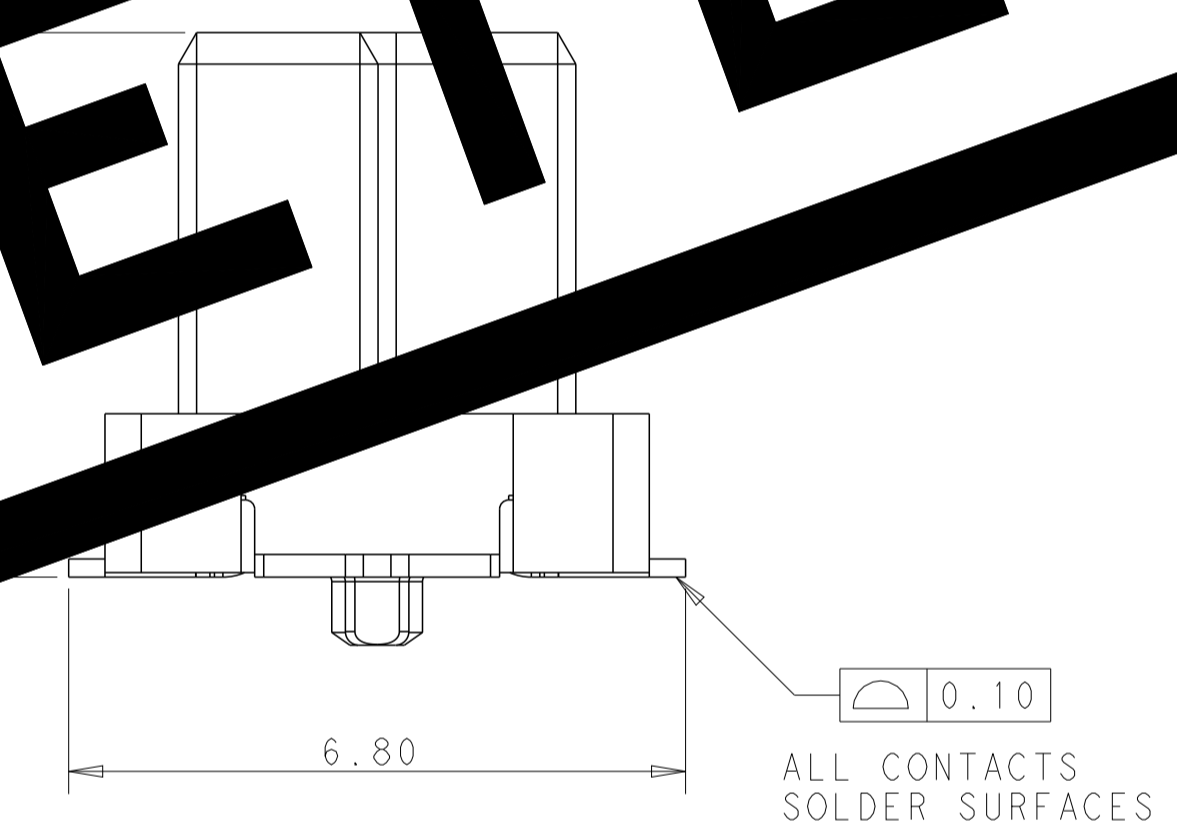
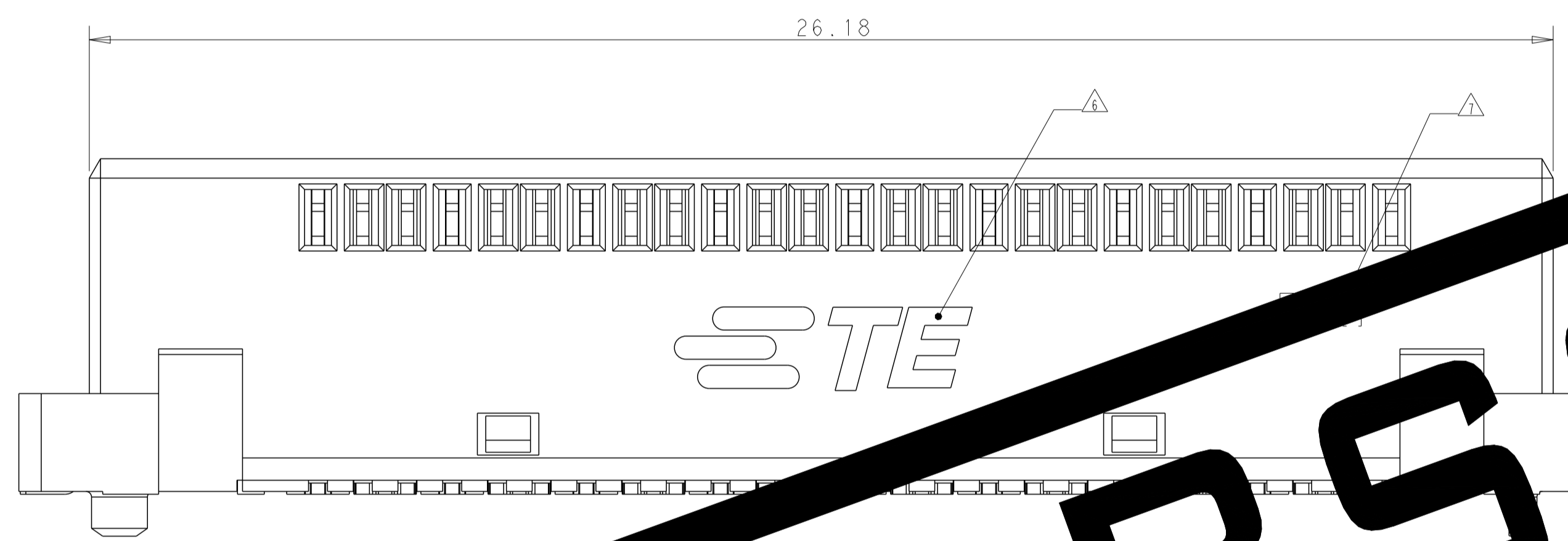


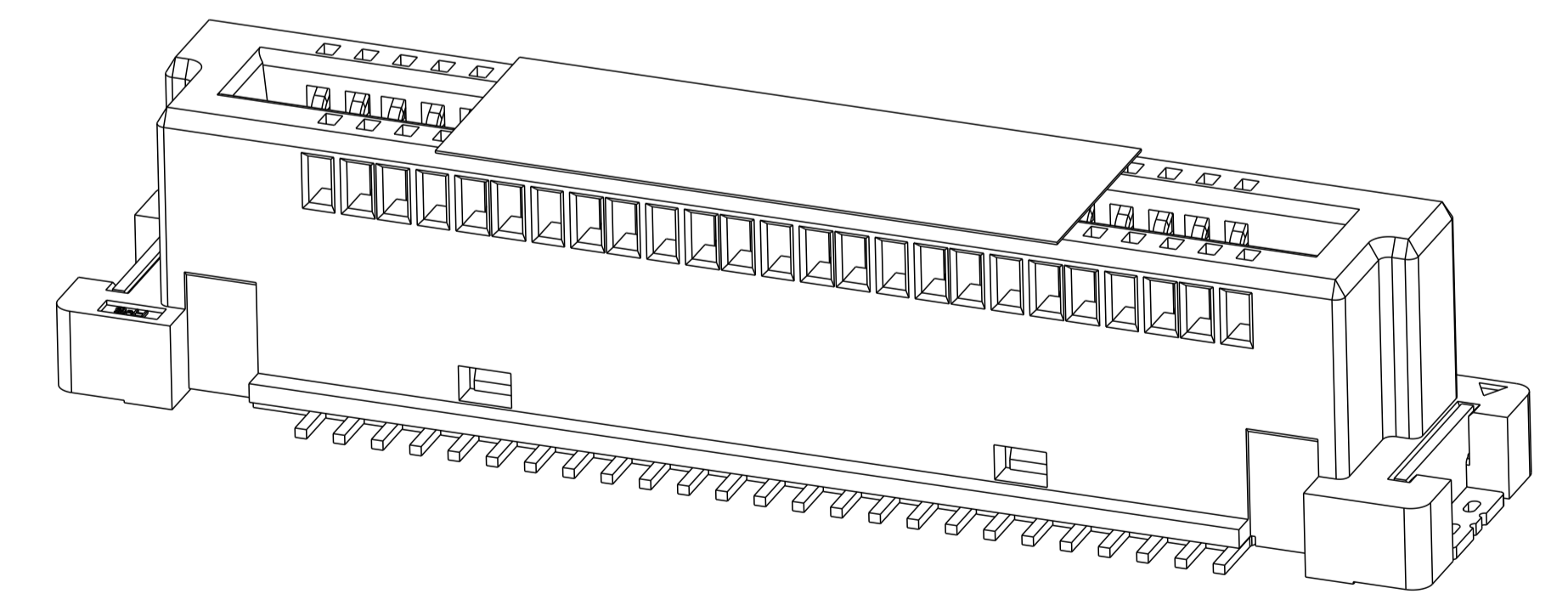
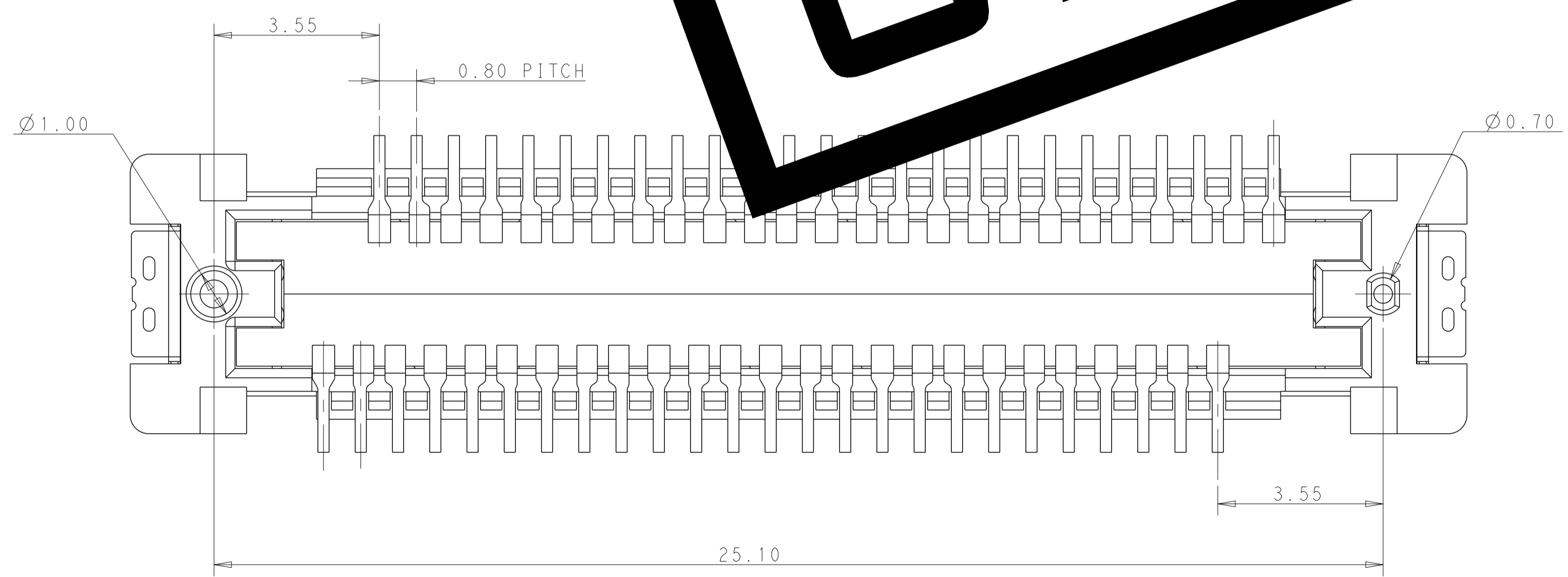
REVISIONS				
P.	LTN.	DESCRIPTION	DATE	APVD.
6		ADD DIMENSIONS AND P/N LIST	24AUG2018	A. L.



- NOTE:
- ① MATERIAL:  
HOUSING AND CONTACT OVERMOLD: LCP, BLACK.  
MYLAR: KAPTON FILM.  
CONTACTS: COPPER ALLOY.
  - ② FINISH:  
UNDERPLATE: 1.27um MIN. NICKEL ALL OVER.  
ENGAGEMENT AREA: SEE P/N LIST.  
SOLDERING AREA: 2.54um MIN. MATTE TIN
  - ③ DATUM AND BASIC DIMENSION ESTABLISHED BY CUSTOMER.
  - ④ DESIGNED FOR A 1.00 MIN THICK PC BOARD.
  - ⑤ RECOMMENDED COMPONENT KEEP OUT AREA.
  - ⑥ TE CONNECTIVITY LOGO MARKED IN APPROXIMATE AREA SHOWN.
  - ⑦ PART AND DATE CODE MARKED IN APPROXIMATE AREA SHOWN.



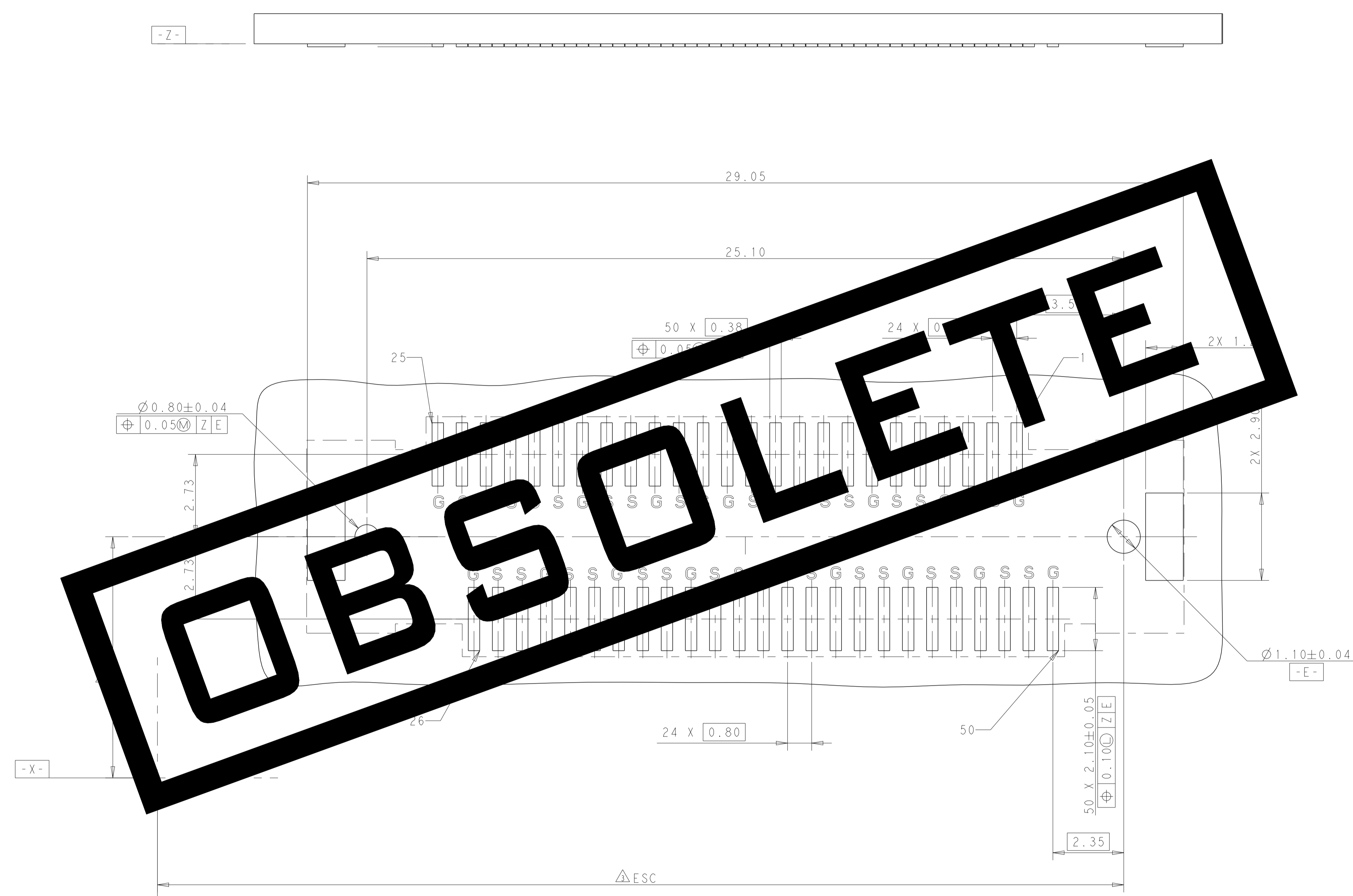
OBSOLETE



SCALE 8:1  
50PINS 6H RECEPTACLE CONNECTOR WITH MAYLAR

THIS DRAWING IS A CONTROLLED DOCUMENT.		DMN: Stone, Su 17MAY2017	<b>STE</b> TE Connectivity	
DIMENSIONS: mm		CHK: -		
TOLERANCES UNLESS OTHERWISE SPECIFIED:		APVD: -	NAME: FH BTB FAMILY	
0 PLC	±0.2	PRODUCT SPEC	108-115138	
1 PLC	±0.15	APPLICATION SPEC	114-115019	
2 PLC	±0.05	SIZE	A1	RESTRICTED TO
3 PLC	±0.005	CAGE CODE	-	-
4 PLC	±0.005	DRAWING NO	C=2316373	-
ANGLES	±0.005	WEIGHT	-	-
MATERIAL	FINISH	CUSTOMER DRAWING	SCALE 6:1	SHEET 1 OF 4 REV 6

REVISIONS				
P.	LTN.	DESCRIPTION	DATE	APVD.
-	-	SEE SHEET 1	-	-



$\varnothing 0.80 \pm 0.04$   
 $\oplus 0.05 \text{ Z E}$

$\varnothing 1.10 \pm 0.04$   
 -E-

$50 \times 2.10 \pm 0.05$   
 $\oplus 0.10 \text{ Z E}$

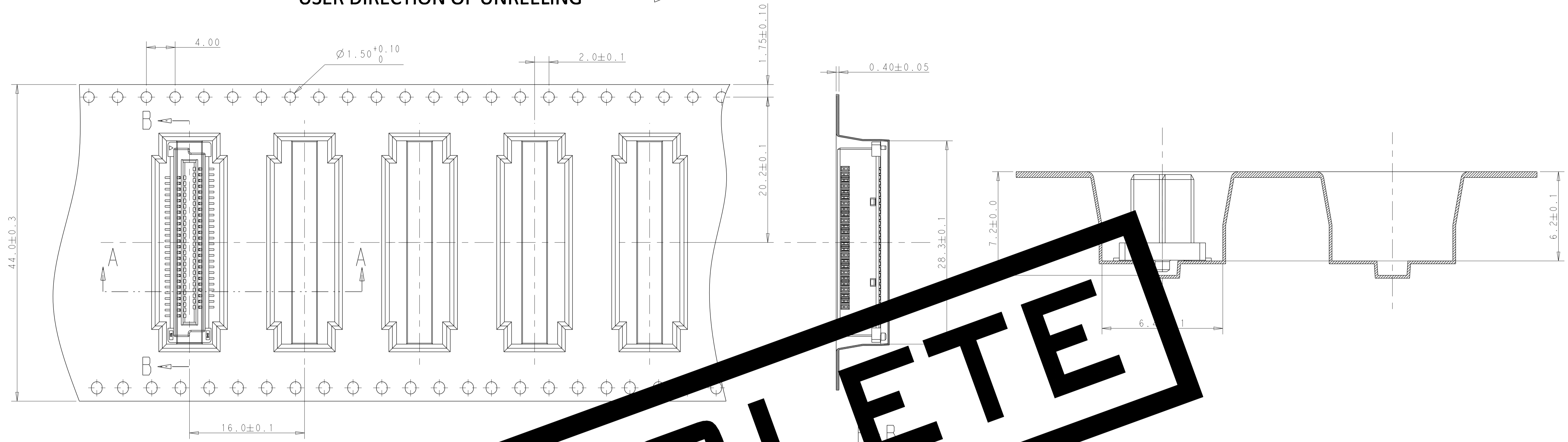
SCALE 12:1  
 RECOMMENDED PCB LAYOUT AND KEEP OUT AREA  
 S: SIGNAL  
 G: GROUND

NOTE:  
 9. STENCIL THICKNESS: 0.10MM MIN.

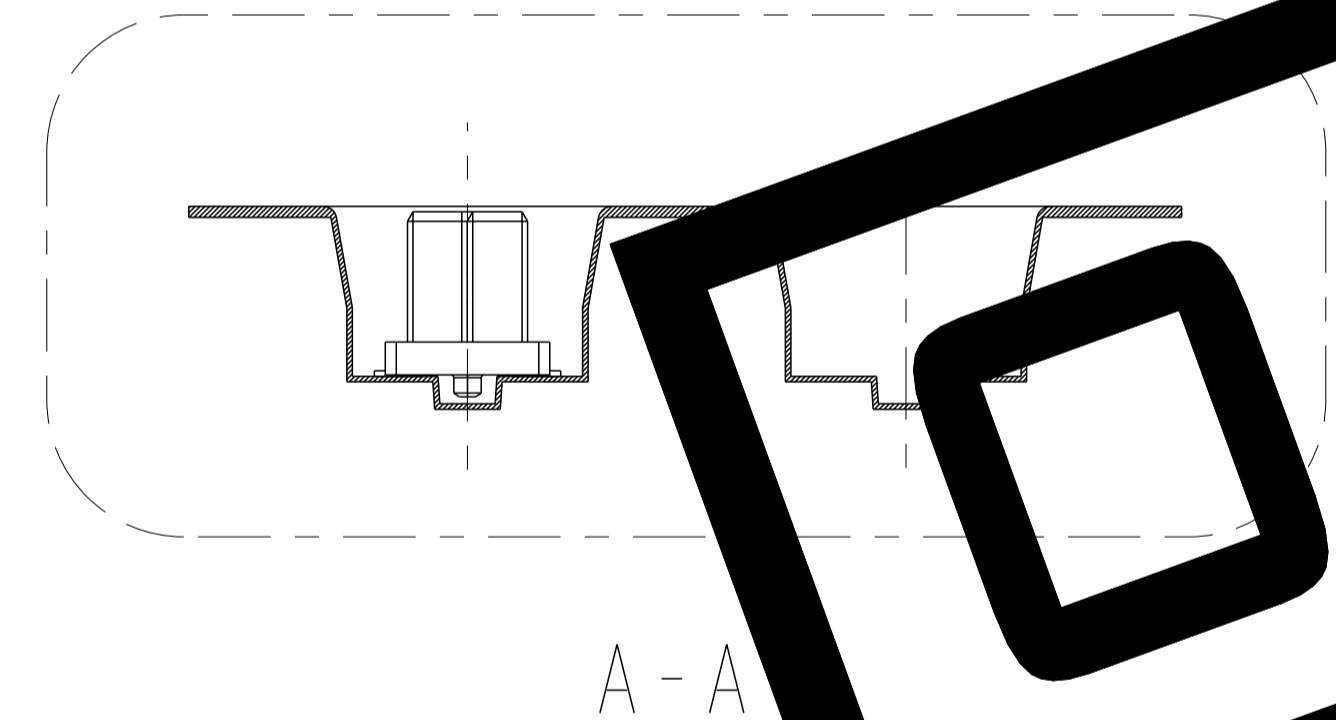
THIS DRAWING IS A CONTROLLED DOCUMENT.		DWN: Stone, Su 17MAY2017	TE Connectivity	
DIMENSIONS: mm		CHK: -		
TOLERANCES UNLESS OTHERWISE SPECIFIED: 0 PLC ±0.2 1 PLC ±0.15 2 PLC ±0.05 3 PLC ±0.05 4 PLC ±0.005 ANGLES ±2° FINISH: -		PRODUCT SPEC: 108-115138	NAME: FH BTB FAMILY	
MATERIAL: -		APPLICATION SPEC: 114-115019	PRODUCT SPEC: 6MM HEIGHT RECEPTACLE CONNECTOR	
WEIGHT: -		SIZE: A1	CAGE CODE: -	
CUSTOMER DRAWING		DRAWING NO: C=2316373	RESTRICTED TO: -	
SCALE: 6:1		SHEET: 2 OF 4	REV: 6	

REVISIONS				
P	LTN	DESCRIPTION	DATE	APVD
-	-	SEE SHEET 1	-	-

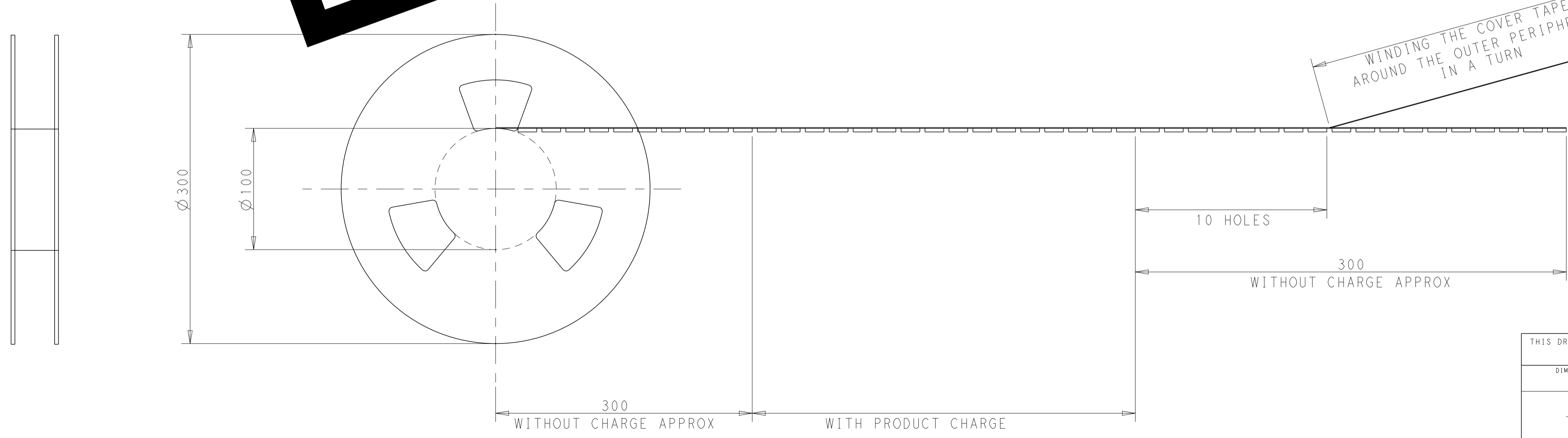
USER DIRECTION OF UNREELING →



**OBSELETE**



WINDING THE COVER TAPE AROUND THE OUTER PERIPHERY IN A TURN



NOTE:  
10. 560 PCS /REEL

THIS DRAWING IS A CONTROLLED DOCUMENT.		DMN Stone, Su 17MAY2017	<b>STE</b> TE Connectivity	
DIMENSIONS: mm		CHK -		
TOLERANCES UNLESS OTHERWISE SPECIFIED:		APVD -	NAME FH BTB FAMILY	
0 PLC	±0.2	PRODUCT SPEC		RESTRICTED TO
1 PLC	±0.15	108-115138		
3 PLC	±0.05	APPLICATION SPEC		
4 PLC	±0.005	114-115019		
ANGLES	*2°	SIZE A1	CAGE CODE	DRAWING NO
MATERIAL	FINISH	WEIGHT	C=2316373	
CUSTOMER DRAWING		SCALE 6:1	SHEET 3 OF 4	REV 6

REVISIONS				
P	LTN	DESCRIPTION	DATE	APVD
-	-	SEE SHEET 1	-	-

PART NO : X-2316373-X

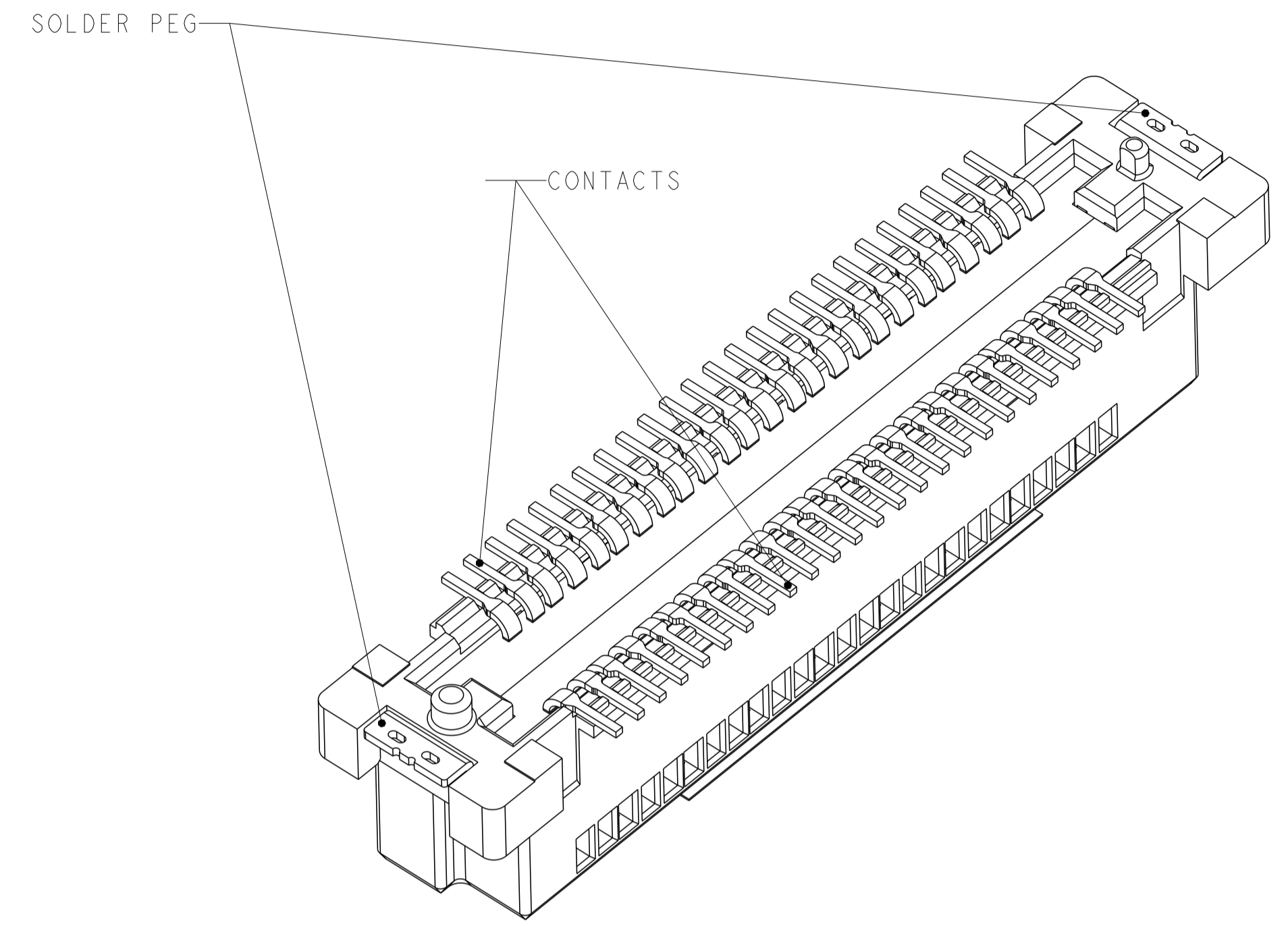
BLANK: 30u"Au PLATED & TAPE AND REEL  
 1: 30u"Au PLATED & TUBE  
 2: 8u"Au PLATED & TAPE AND REEL  
 3: 8u"Au PLATED & TUBE  
 4: FLASH GOLD Au PLATED & TAPE AND REEL  
 5: FLASH GOLD PLATED & TUBE  
 6: RESERVED  
 7: RESERVED  
 8: RESERVED  
 9: RESERVED

1: 50POS & WITH MYLAR  
 2: 50POS & WITHOUT MYLAR  
 3: 100POS & WITH MYLAR  
 4: 100POS & WITHOUT MYLAR  
 5: 150POS & WITH MYLAR  
 6: 150POS & WITHOUT MYLAR  
 7: RESERVED  
 8: RESERVED  
 9: RESERVED

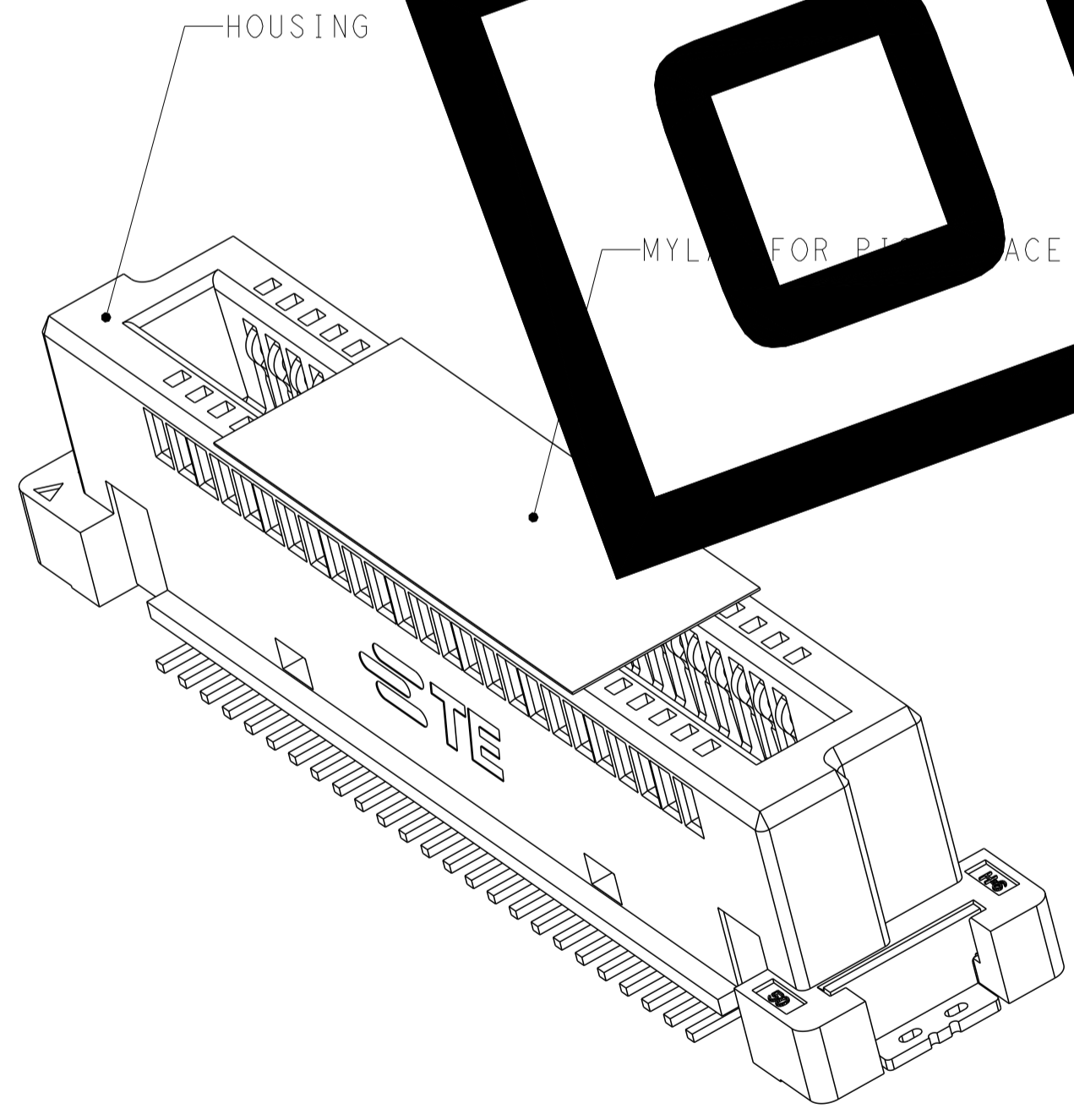
**OBSOLETE**

TABLE: P/N LIST

ASSY P/N	PACKAGE TYPE	MYLAR	PLATING Au TYPE
2316373-1	TAPE & REEL	YES	30u"
2316373-2	TAPE & REEL	NO	
1-2316373-1	TUBE	YES	
1-2316373-2	TUBE	NO	8u"
2-2316373-1	TAPE & REEL	YES	
2-2316373-2	TAPE & REEL	NO	
3-2316373-1	TUBE	YES	FLASH GOLD
3-2316373-2	TUBE	NO	
4-2316373-1	TAPE & REEL	YES	
4-2316373-2	TAPE & REEL	NO	FLASH GOLD
5-2316373-1	TUBE	YES	
5-2316373-2	TUBE	NO	



SCALE 8:1



SCALE 8:1

THIS DRAWING IS A CONTROLLED DOCUMENT. DWN: Stone, Su 17MAY2017

CHK: -

APVD: -

NAME: FH BTB FAMILY

PRODUCT SPEC: 108-115138

APPLICATION SPEC: 114-115019

SIZE: A1

SCALE: 6:1

SHEET: 4 OF 4

REV: 6

CUSTOMER DRAWING

STE TE Connectivity

6MM HEIGHT RECEPTACLE CONNECTOR

©=2316373