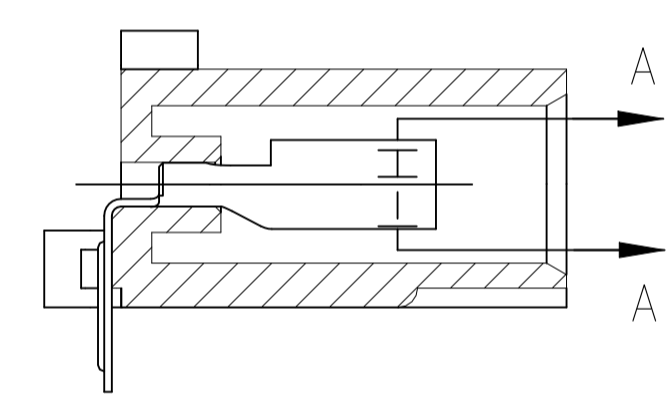
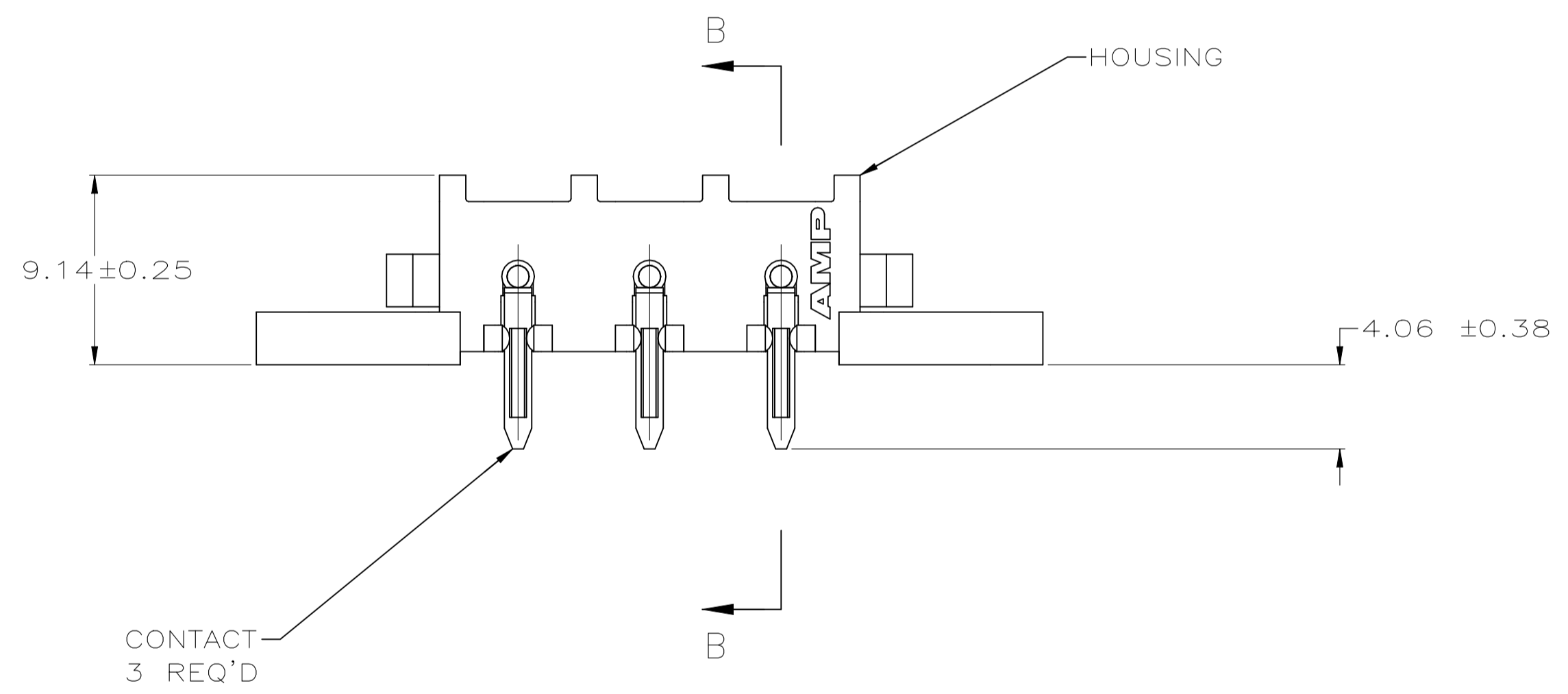
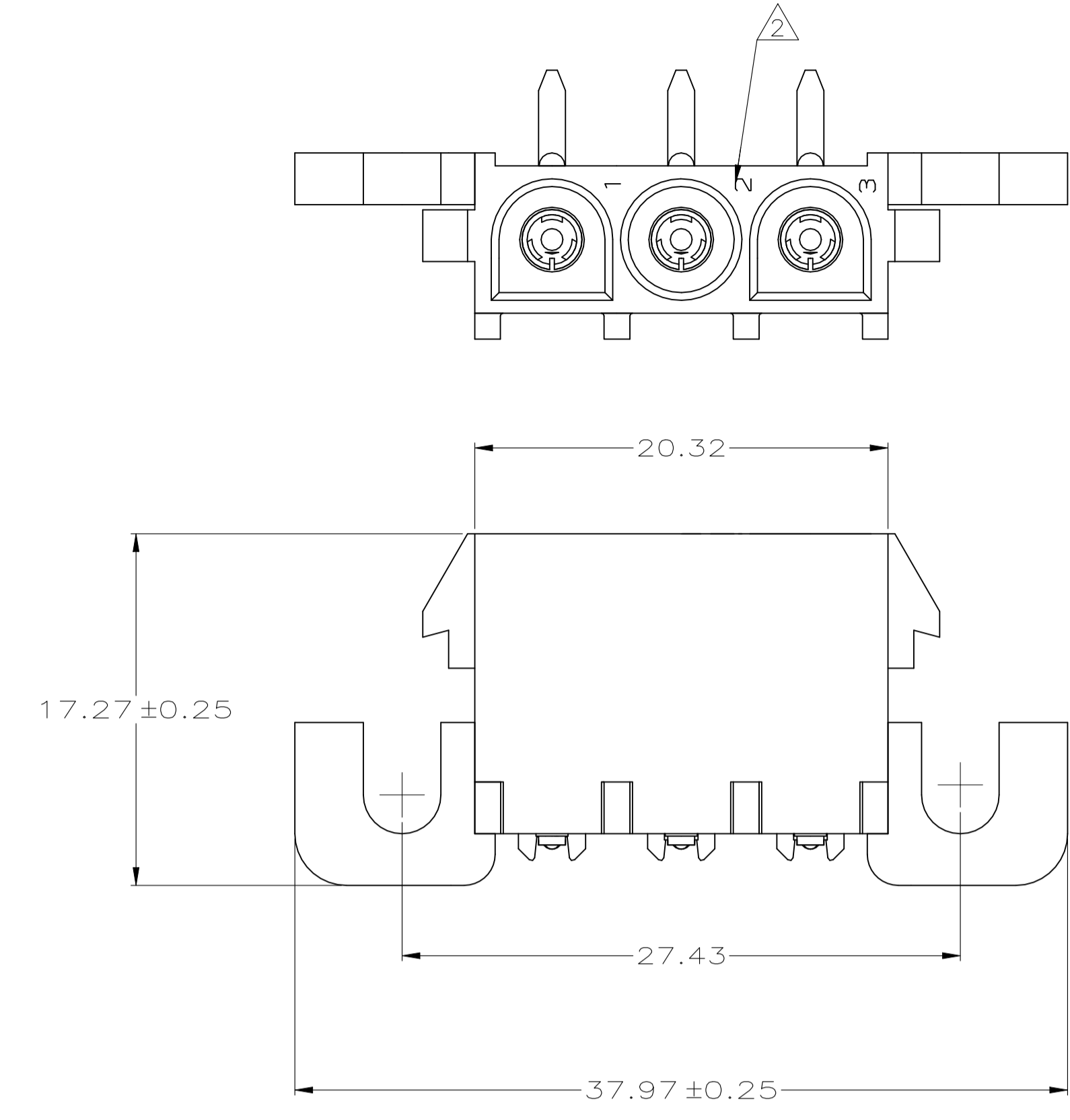
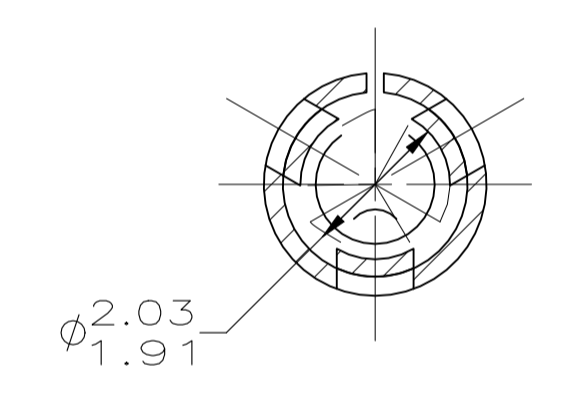


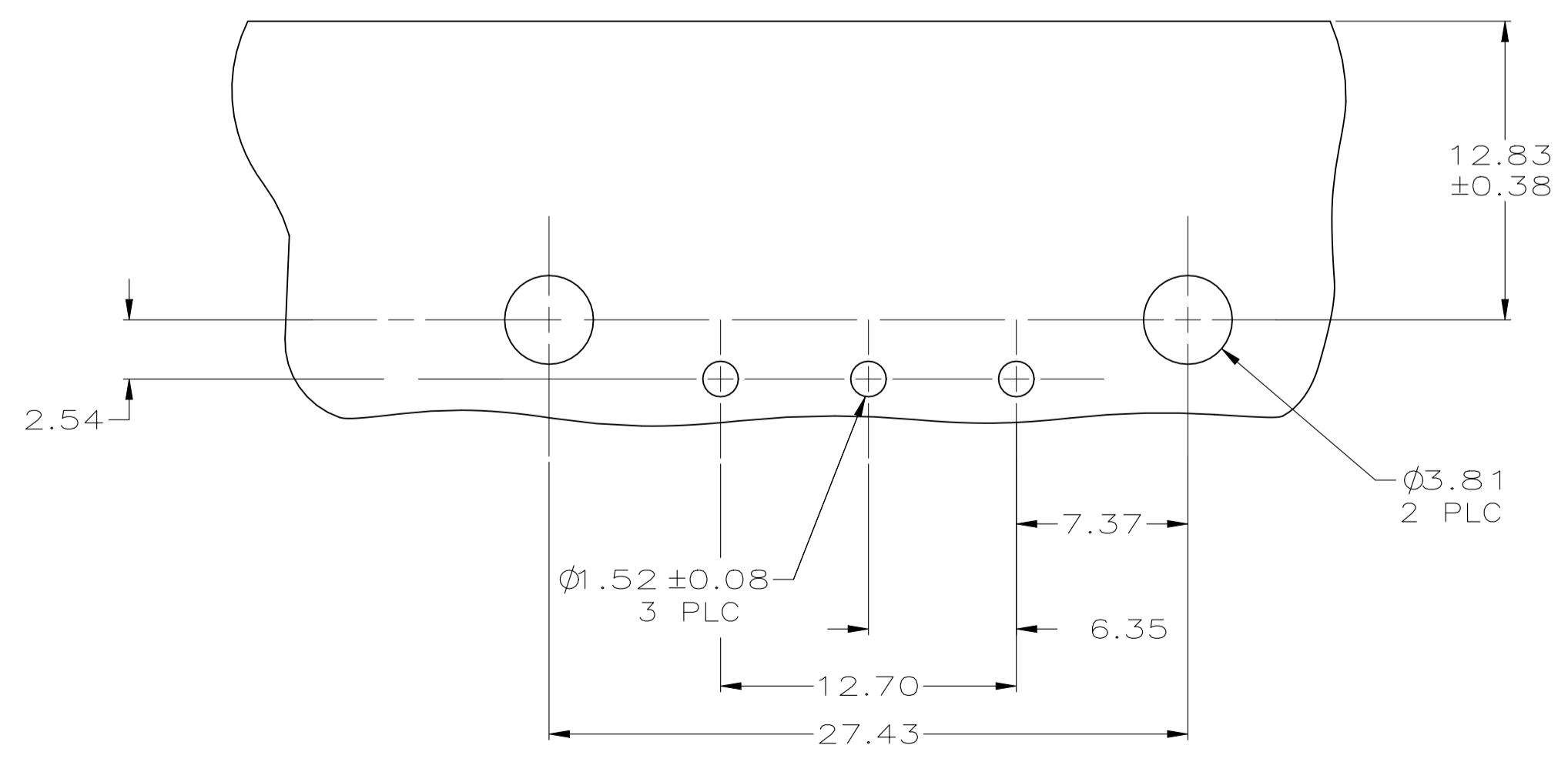
REVISIONS				
REV	DESCRIPTION	DATE	BY	APP'D
B5	REVISED PER ECR-21-119230	02NOV2021	SS	VS



SECTION B-B



SECTION A-A
SCALE 10:1



RECOMMENDED MOUNTING HOLE PATTERN FOR 1.57 THICK P.C. BOARD

1. PARTS COMPLY WITH TE SOLDERABILITY SPECIFICATION 109-11-5.
2. CIRCUIT IDENTIFICATION CHARACTERS ARE ADJACENT TO THE INDICATED CAVITIES, BUT LOCATION AND ORIENTATION MAY DIFFER FROM PRINT.
3. FLAMMABILITY V2 FOR THICKNESS 0.38mm, 1.5mm, and 3.0mm PER IEC 60695-11-10.
4. GLOW-WIRE FLAMMABILITY (GWI) 800°C FOR THICKNESS 0.38mm AND 0.75mm PER IEC 60695-2-12.
5. GLOW-WIRE FLAMMABILITY (GWI) 960°C FOR THICKNESS 1.5mm AND 3.0mm PER IEC 60695-2-12.
6. GLOW-WIRE IGNITION (GWI) 825°C FOR THICKNESS 0.38mm, 0.75mm, 1.5mm AND 3.0mm PER IEC 60695-2-13.
7. MATERIAL CORRESPONDING TO THE REQUIREMENT OF IEC 60335. (INL GLOW WIRE TEST 750°C WITHOUT FLAME)
8. PRELIMINARY PART NOT RELEASED FOR PRODUCTION.
9. DIMENSIONS SHOWN REPRESENT PRODUCT IN DRY CONDITION. ADDITIONAL 2% GROWTH DUE TO END USE LOCATION MOISTURE ABSORPTION MAY OCCUR AND SHOULD BE ACCOUNTED FOR.

MM	IN	MM	IN
2.54	.100		
2.03	.080	37.97	1.495
1.91	.075	27.43	1.080
1.57	.062	20.32	.800
1.52	.060	17.27	.680
1.27	.050	12.83	.505
0.38	.015	12.70	.500
0.25	.010	9.14	.360
0.13	.005	7.37	.290
0.08	.003	6.35	.250
0.00127	0.000050	4.06	.160
0.00076	0.000030	3.81	.150
MM	IN	MM	IN

CONVERSION TABLE

PH BRZ,TIN	NYLON UL 94V-0	1586893-3
PH BRZ,TIN	NYLON UL 94V-2	1586893-1
CONTACT	HOUSING	PART NUMBER

THIS DRAWING IS A CONTROLLED DOCUMENT.		DWG NO: 14MAR2008	TE Connectivity	
DIMENSIONS: mm	TOLERANCES UNLESS OTHERWISE SPECIFIED:	APPROVED: D. COLEY	DATE: 14MAR2008	NAME: D. COLEY
0 PLC ± -	1 PLC ± -	PRODUCT SPEC: 108-1053		
2 PLC ± 0.13	3 PLC ± -	APPLICATION SPEC: 114-1010		
4 PLC ± -	ANGLES ± -	WEIGHT: 0.000000	SIZE: A1	CAGE CODE: 00779
MATERIAL: SEE TABLE	FINISH: SEE TABLE	CUSTOMER DRAWING	SCALE: 4:1	SHEET: 1 of 1