

6

5

4

3

2

1

E

E

D

D

C

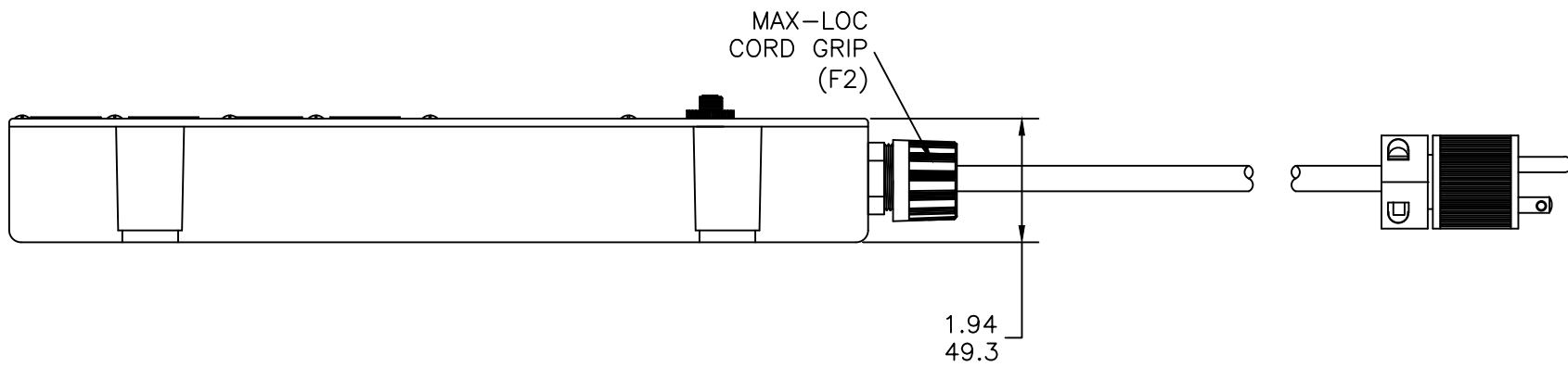
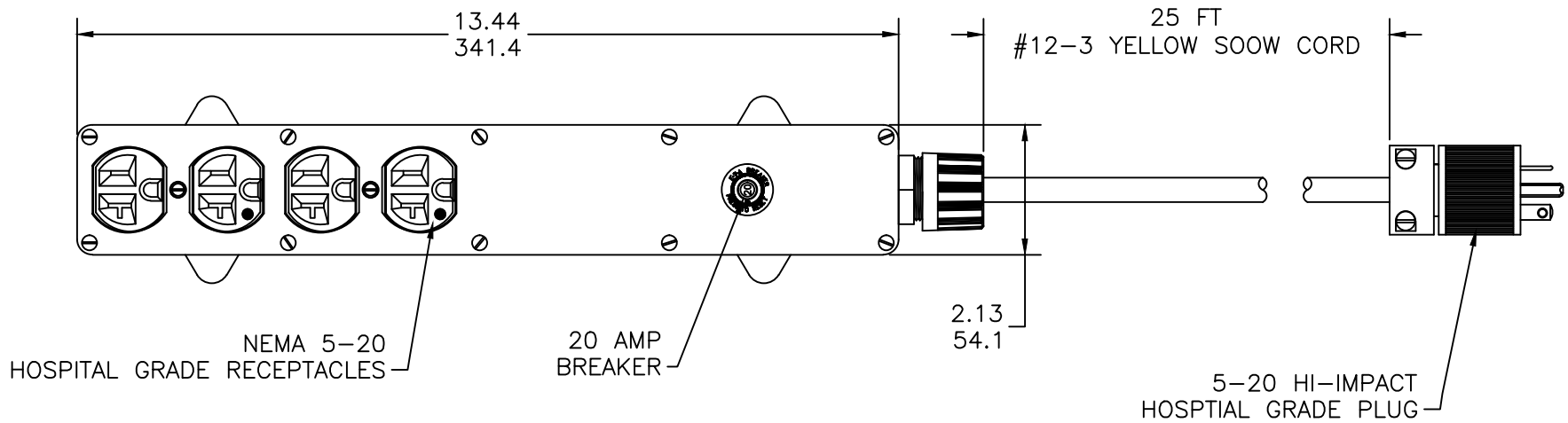
C

B

B

A

A



CUSTOMER APPROVAL EC NO: WNA2012-0136 DRWN: HKNEELAN 2011/09/08 CHKD: HKNEELAN APPR: DTITUS 2011/09/14	QUALITY SYMBOLS	GENERAL TOLERANCES (UNLESS SPECIFIED)		DIMENSION STYLE	SCALE	DESIGN UNITS	THIRD ANGLE PROJECTION
	▽=0 ∇=0	mm	INCH	IN/MM	NTS	INCH	
		4 PLACES ±---	±---	DRAWN BY DATE	TITLE		
		3 PLACES ±---	±.005	HKNEELAN 2011/09/08	MULTI-TAP STRIP, 20 AMP 25' #12-3 CABLE ALL HOSPITAL GRD RCPTS.		
	2 PLACES ±0.13	±.010	CHECKED BY DATE	MATERIAL NO.			
	1 PLACE ±0.25	±.020	HKNEELAN 2011/09/08	1301360078			
		ANGULAR ±1/2°	APPROVED BY DATE	DOCUMENT NO.			
			DTITUS 2011/09/14	SD-130136-005			
		DRAFT WHERE APPLICABLE MUST REMAIN WITHIN DIMENSIONS		SHEET NO.			
				1 OF 1			
				THIS DRAWING CONTAINS INFORMATION THAT IS PROPRIETARY TO MOLEX INCORPORATED AND SHOULD NOT BE USED WITHOUT WRITTEN PERMISSION			

6

5

4

3

2

1