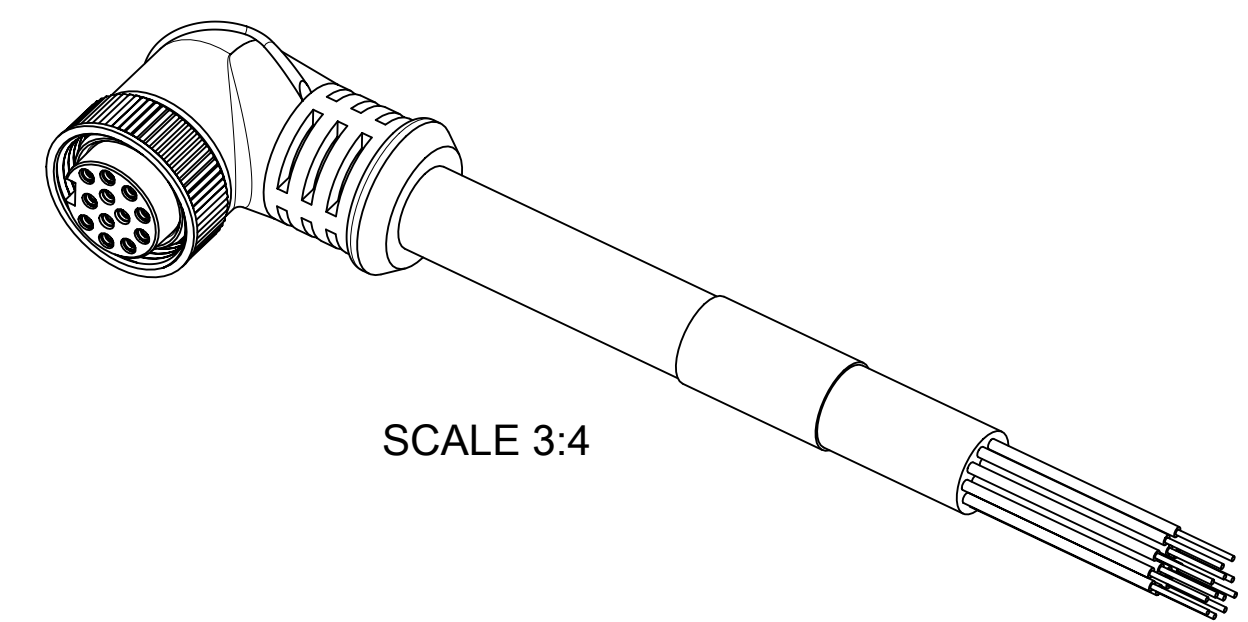


MATERIAL NO.	ENGINEERING NO.	FINISHED LENGTH
1300080279	302101A04M050	5 M (16 FT 4.85 IN)
1300080282	302101A04M100	10 M (32 FT 9.70 IN)

CABLE LENGTH TOLERANCES

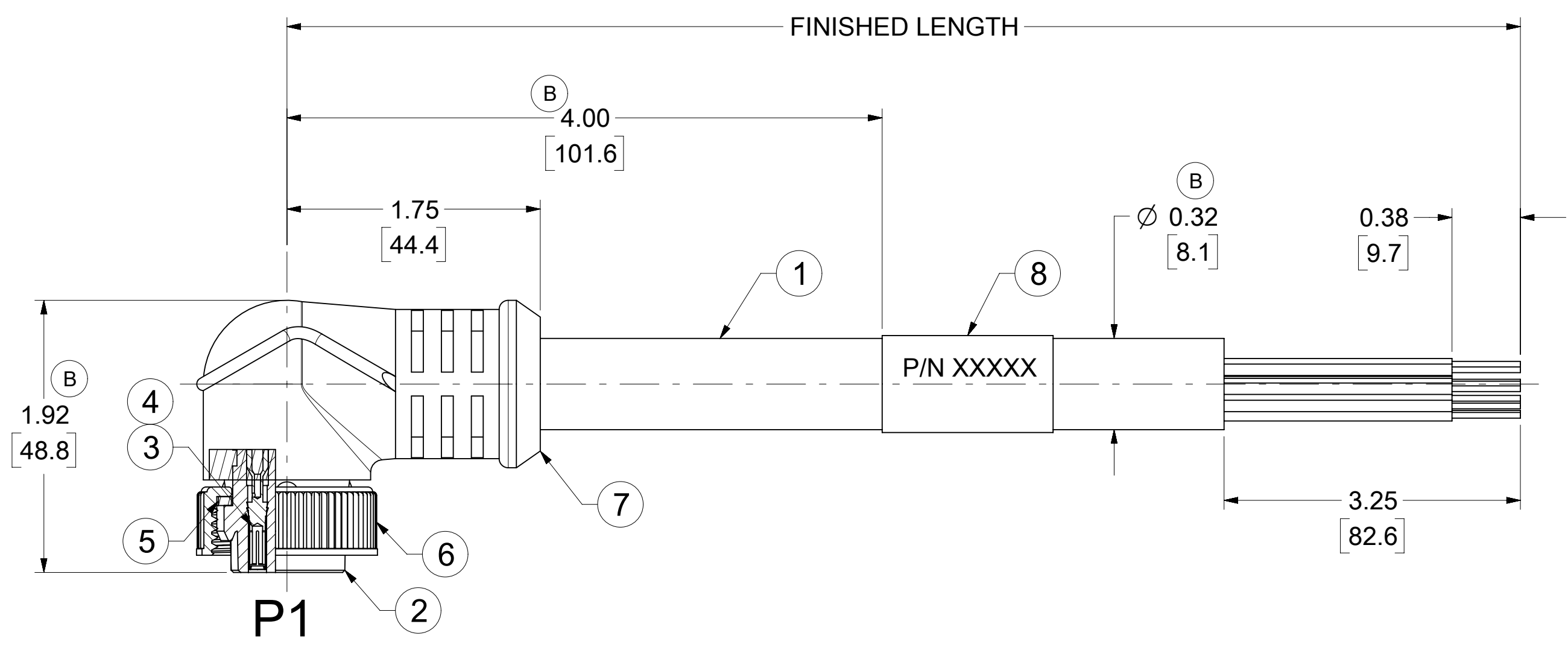
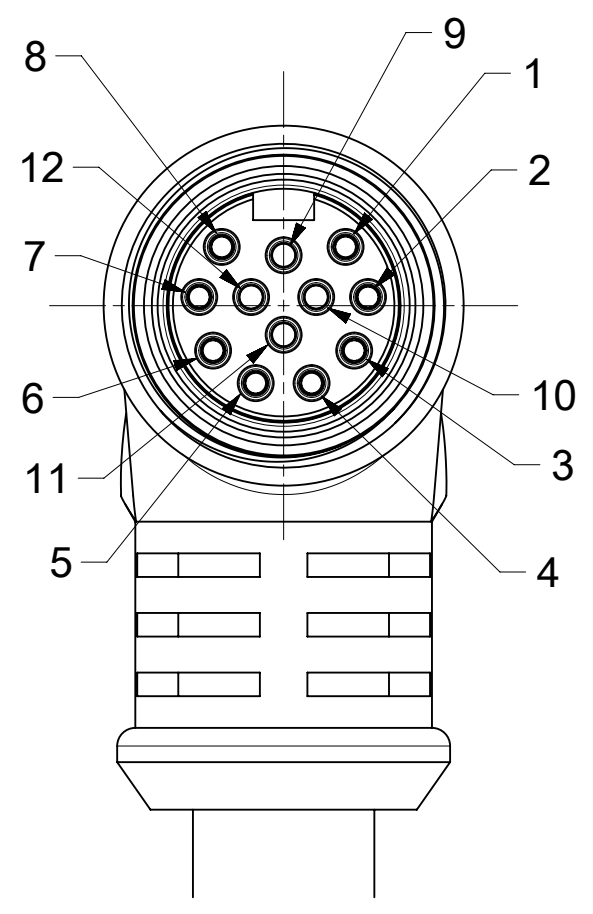
<.3M [1FT]: +19mm-0 [+.75in-0]
 .3 - .9M [1 - 3FT]: +44.5mm-0 [+1.75in-0]
 .9 - 1.8M [3 - 6FT]: +55.6mm-0 [+2.19in-0]
 1.8 - 3.7M [6 - 12FT]: +88.9mm-0 [+3.50in-0]
 3.7 - 7.3M [12 - 24FT]: +165.1mm-0 [+6.50in-0]
 7.3-14.6M [24 - 48FT]: +317.5mm-0 [+12.50in-0]
 14.6 - 30.5M [48-100FT]: +622.3mm-0 [+24.50in-0]
 OVER 30M [100FT] +2% OF FINISHED LENGTH



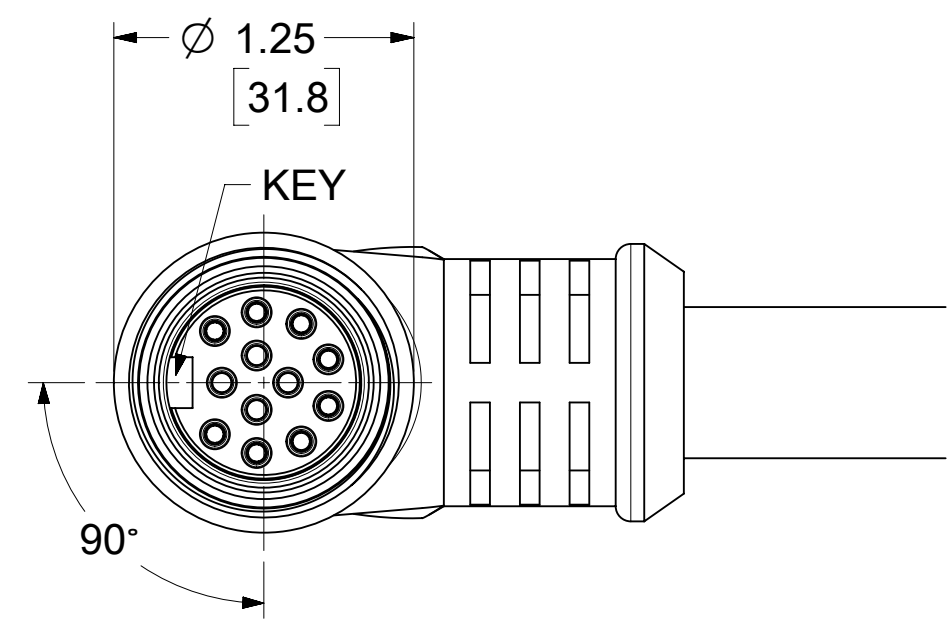
WIRING DIAGRAM

P1

1	WHITE
2	GREEN
3	YELLOW
4	GRAY
5	PINK
6	RED
7	BLACK
8	VIOLET
9	GREEN/YELLOW
10	BROWN
11	BLUE
12	NO CONNECTION



- NOTES:
1. MATERIAL: AS NOTED
 2. FINISH: AS NOTED
 3. ELECTRICAL:
 VOLTAGE: 320V PER IEC60664
 300V PER UL2238
 CURRENT: 2.5A
 4. TEMP RATING: -20°C TO +105°C
 5. PROTECTION: IP67 (WHEN MATED)
 6. CSA CERTIFIED FILE: LR6837
 7. COUPLING THREAD: 1 1/8"-16UN
 8. ASSEMBLY IS ROHS COMPLIANT
 9. ALL DIMS ARE FOR REFERENCE UNLESS TOLERANCED OR NOTED OTHERWISE



PART NUMBER MATRIX

302101A04M050

FINISHED LENGTH
 M005= 0.5 M
 M010= 1 M
 M100= 10M

ITEM	DESCRIPTION	MATERIAL	FINISH
8	LABEL	VINYL	BLACK/YELLOW
7	OVERMOLD	TPE	YELLOW
6	COUPLING NUT	ZINC DIE CAST	BLACK E-COAT
5	FRICITION RING	NYLON	NATURAL
4	SOCKET CONTACT 22AWG	Cu ALLOY	GOLD OVER NICKEL
3	SOCKET CONTACT 18AWG	Cu ALLOY	GOLD OVER NICKEL
2	FEMALE INSERT	TPE	YELLOW
1	#18-3, #22-8 CABLE, STOOV/ST	PVC JACKET	YELLOW

THIS DRAWING CONTAINS INFORMATION THAT IS PROPRIETARY TO MOLEX ELECTRONIC TECHNOLOGIES, LLC AND SHOULD NOT BE USED WITHOUT WRITTEN PERMISSION

DIMENSION UNITS	SCALE	CURRENT REV DESC: UPDATED ITEM #2,7,8, LABEL DIM. AND MATERIAL P/N TABLE. ADDED CSA, IEC VOLT, TEMP RATING, IP RATING, TOL. CHART, PART NUMBER MATRIX, COUPLING NUT AND CABLE DIA.			
INCH/MM	1.25:1				
GENERAL TOLERANCES (UNLESS SPECIFIED)		EC NO: 673727	MINI-CHANGE CORDSET, C SIZE 12 POLE, FEMALE, 90 DEG, SINGLE KEY, 18AWG-3 22AWG-8		
4 PLACES	±	DRWN: AKABADI	PRODUCT CUSTOMER DRAWING		
3 PLACES	±	CHK'D: RSTONE	DOCUMENT NUMBER		
2 PLACES	±	APPR: BWOODMAN	DOC TYPE DOC PART REVISION		
1 PLACE	±	INITIAL REVISION:	SD-130008-018		
0 PLACES	±	DRWN: BRUPERT	PSD 001 B		
ANGULAR TOL	± 0.5 °	APPR: JFMURPHY	MATERIAL NUMBER		
DRAFT WHERE APPLICABLE MUST REMAIN WITHIN DIMENSIONS		THIRD ANGLE PROJECTION	DRAWING		SHEET NUMBER
			C-SIZE	SERIES	130008
			CUSTOMER		GENERAL MARKET