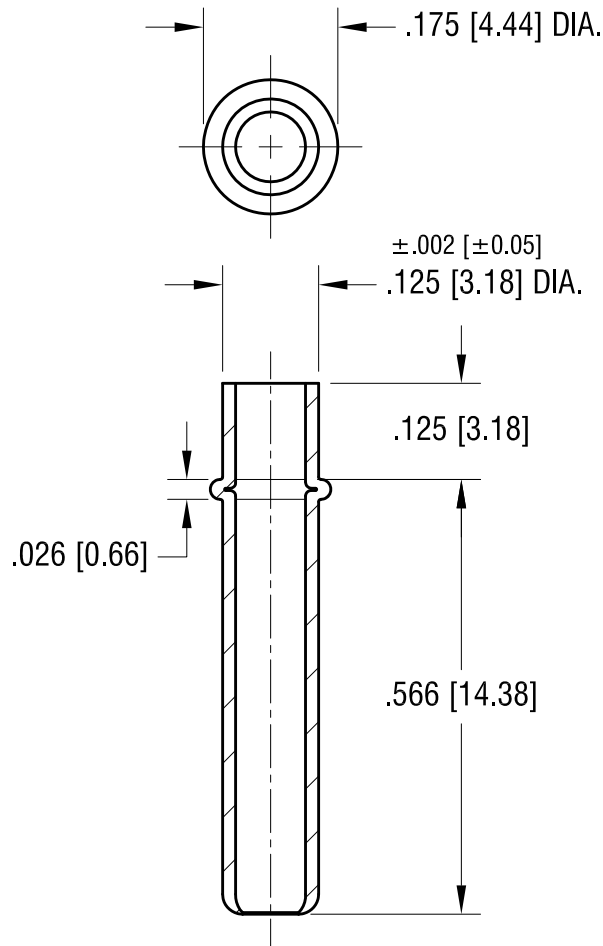
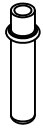


THIS DOCUMENT IS THE PROPERTY OF
KEYSTONE ELECTRONICS CORP. AND
SHALL NOT BE REPRODUCED, DISTRIBUTED
OR USED AS A BASIS FOR MANUFACTURE
WITHOUT PRIOR WRITTEN PERMISSION
FROM KEYSTONE ELECTRONICS CORP.

ACTUAL SIZE



KEYSTONE ELECTRONICS CORP.

www.keyelco.com • NEW HYDE PARK, NY 11040 • Tel (516) 328-7500

PART NAME		CONTACT PIN, SEAMLESS	
MATERIAL		BRASS	
FINISH		DRN BY	DATE
NICKEL PLATE		NT	3.06.09
		APP'D	SCALE
		LN	4X
TOLERANCES	INCH [MM]	CODE	DWG NO.
DECIMAL	$\pm .005$ [± 0.13]	C	1210
ANGULAR	$\pm 1^\circ$		
UNLESS OTHERWISE SPECIFIED			

3.06.09	CHANGED AS PER ECN 09-015	A
DATE	DESCRIPTION	REV.