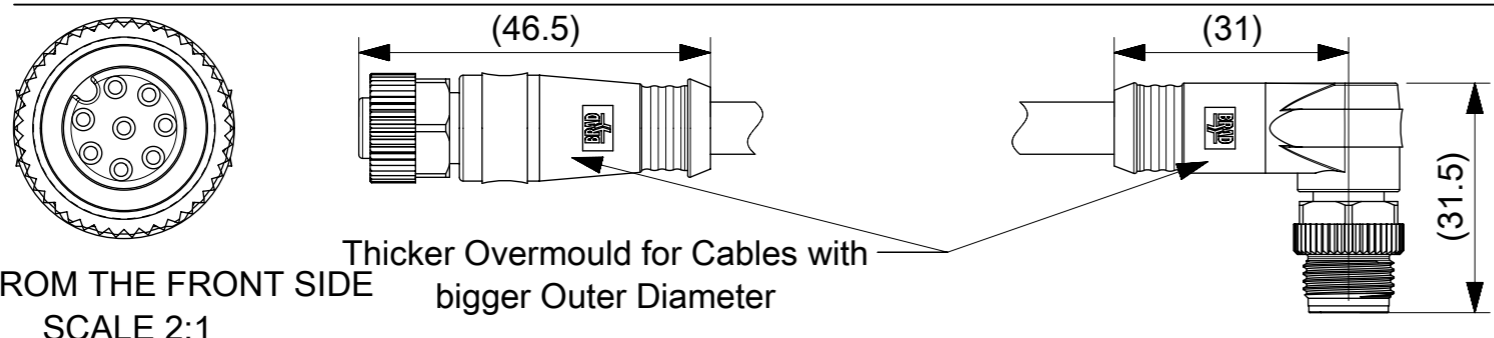
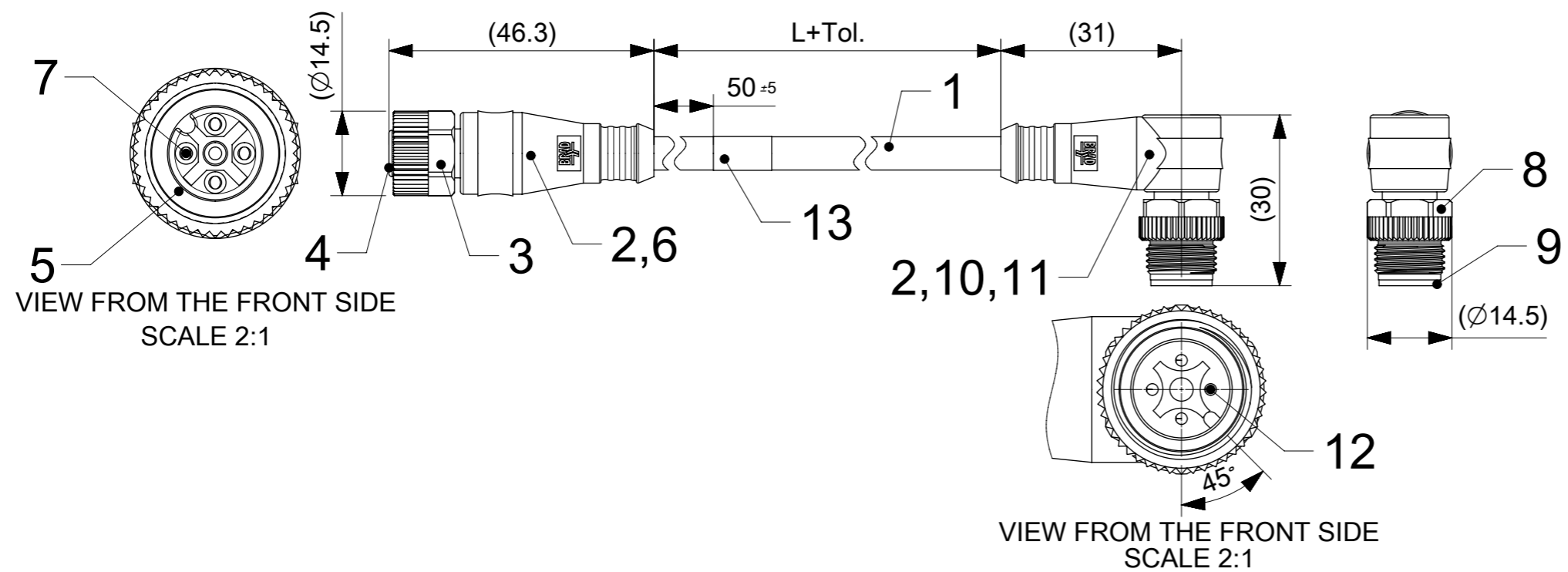


NOTES:  
 RATED VOLTAGE:  
 3, 4 contacts 250V  
 5 contacts 60V  
 8 contacts 30V  
 RATED CURRENT:  
 3, 4, 5 contacts 4A  
 8 contacts 2A  
 PROTECTION CLASS: IP 67



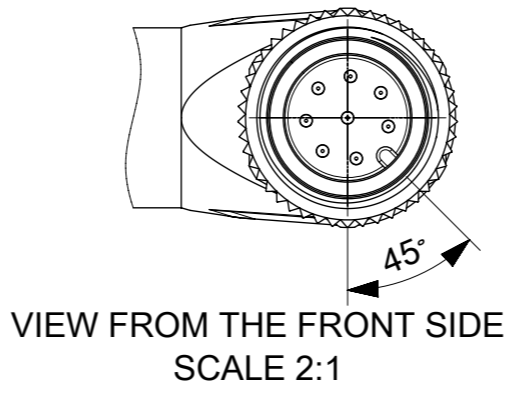
CONTACTS POSITION FRONT VIEW:

	3 CONTACTS	4 CONTACTS	5 CONTACTS	8 CONTACTS																																																
FEMALE																																																				
MALE																																																				
CONNECTIONS	<table border="1"> <tr><th>PIN</th><th>WIRE</th></tr> <tr><td>1</td><td>BROWN</td></tr> <tr><td>3</td><td>BLUE</td></tr> <tr><td>4</td><td>BLACK</td></tr> </table>	PIN	WIRE	1	BROWN	3	BLUE	4	BLACK	<table border="1"> <tr><th>PIN</th><th>WIRE</th></tr> <tr><td>1</td><td>BROWN</td></tr> <tr><td>2</td><td>WHITE</td></tr> <tr><td>3</td><td>BLUE</td></tr> <tr><td>4</td><td>BLACK</td></tr> </table>	PIN	WIRE	1	BROWN	2	WHITE	3	BLUE	4	BLACK	<table border="1"> <tr><th>PIN</th><th>WIRE</th></tr> <tr><td>1</td><td>BROWN</td></tr> <tr><td>2</td><td>WHITE</td></tr> <tr><td>3</td><td>BLUE</td></tr> <tr><td>4</td><td>BLACK</td></tr> <tr><td>5</td><td>GREY</td></tr> </table>	PIN	WIRE	1	BROWN	2	WHITE	3	BLUE	4	BLACK	5	GREY	<table border="1"> <tr><th>PIN</th><th>WIRE</th></tr> <tr><td>1</td><td>WHITE</td></tr> <tr><td>2</td><td>BROWN</td></tr> <tr><td>3</td><td>GREEN</td></tr> <tr><td>4</td><td>YELLOW</td></tr> <tr><td>5</td><td>GREY</td></tr> <tr><td>6</td><td>PINK</td></tr> <tr><td>7</td><td>BLUE</td></tr> <tr><td>8</td><td>RED</td></tr> </table>	PIN	WIRE	1	WHITE	2	BROWN	3	GREEN	4	YELLOW	5	GREY	6	PINK	7	BLUE	8	RED
PIN	WIRE																																																			
1	BROWN																																																			
3	BLUE																																																			
4	BLACK																																																			
PIN	WIRE																																																			
1	BROWN																																																			
2	WHITE																																																			
3	BLUE																																																			
4	BLACK																																																			
PIN	WIRE																																																			
1	BROWN																																																			
2	WHITE																																																			
3	BLUE																																																			
4	BLACK																																																			
5	GREY																																																			
PIN	WIRE																																																			
1	WHITE																																																			
2	BROWN																																																			
3	GREEN																																																			
4	YELLOW																																																			
5	GREY																																																			
6	PINK																																																			
7	BLUE																																																			
8	RED																																																			

SHIELD CONNECTED TO THE HOUSING

FOR OPTION SEE - NUMERICAL CODE - ON SHEET 2

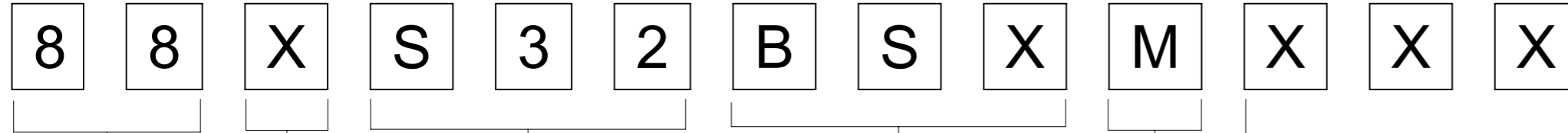
ITEM	QTY.	DESCRIPTION	MATERIAL	FINISH
13	1	LABEL YE	VINYL	-
12	3/4/5/8	CONTACT MA	BRASS	GOLD OVER Ni-PLATED
11	1	SLEEVE SHLD M12 MA CLOSURE CAP 90	BRASS	Ni-PLATED
10	1	SLEEVE SHLD M12 MA FRONT 90	BRASS	Ni-PLATED
9	1	INSERT M12 MA XP BK	PUR	-
8	1	COUPLING NUT M12 MA KNUR/HEX	BRASS	Ni-PLATED
7	3/4/5/8	CONTACT FE	BRASS	GOLD OVER Ni-PLATED
6	1	SLEEVE SHLD M12 FE STR	BRASS	Ni-PLATED
5	1	GASKET RD	FPM	-
4	1	INSERT M12 FE XP BK	PUR	-
3	1	COUPLING NUT M12 FE KNUR/HEX	BRASS	Ni-PLATED
2	-	OVERMOULDING BK	TPU	-
1	-	CABLE	SEE SHEET 2	-



THIS DRAWING CONTAINS INFORMATION THAT IS PROPRIETARY TO MOLEX ELECTRONIC TECHNOLOGIES, LLC AND SHOULD NOT BE USED WITHOUT WRITTEN PERMISSION

EC NO: 110840 DRWN: AKONDRACIUK CHK'D: MIWASIECZKO APPR: MIWASIECZKO	2016/11/25 2016/11/30	GENERAL TOLERANCES (UNLESS SPECIFIED) ANGULAR TOL ± °	DIMENSION UNITS: MM SCALE: 1:1		
	4 PLACES ± 3 PLACES ± 2 PLACES ± 1 PLACE ± 0 PLACES ±	DRWN BY: AKONDRACIUK DATE: 2016/11/25	CHK'D BY: MIWASIECZKO DATE: 2016/11/30		PRODUCT CUSTOMER DRAWING
	DRAFT WHERE APPLICABLE MUST REMAIN WITHIN DIMENSIONS	DRAWING SIZE: A3 THIRD ANGLE PROJECTION	SERIES: 120069 MATERIAL NUMBER: SEE SHEET 2		CUSTOMER:
	A	REV:	DOCUMENT NUMBER: 1200698674 DOC TYPE: PSD DOC PART: 00P SHEET NUMBER: 1 OF 2		CSE M12 M12 XP AC FE STR WSOR MA RA XM

# ENGINEERING NO - NUMERICAL CODE (Available parts see PART LIST table. Other parts available upon request).



88 = M12x1  
DOUBLE ENDED

POLES:  
3 = 3 POLES  
4 = 4 POLES  
5 = 5 POLES  
8 = 8 POLES

HEADER:  
S32 = PLUG SHIELD FEMALE STRAIRIGHT  
TO MALE RIGHT ANGLE

CABLE TYPE:  
BS1= 0,34mm<sup>2</sup>, TPU BLACK  
BS2= 0,25mm<sup>2</sup>, TPU BLACK

UNIT:  
M = METER

LENGTH:  
EXAMPLE:  
010 = 1 m  
050 = 5 m  
100 = 10 m

TABLE OF LENGTH TOLERANCES		
OVER	UP TO AND INCLUDING	TOLERANCE
0	1000	+40 0
1000	5000	+60 0
5000	10000	+80 0
10000	20000	+140 0
20000	30000	+160 0
30000	>	+1% OF LENGTH

CABLE TYPE	WIRE GAUGE	CABLE JACKET	UL	CSA	STATIC	FLEXING	DRAG CHAIN TESTED	SHIELD	OTHER
BS1 3P, 4P, 5P	0.34mm <sup>2</sup>	TPU BLACK	STYLE 21215	YES	-40°C TO +90°C 5xD	-25°C TO +80°C 7,5xD	5 MIO CYCLES	BRAID	WELD SLAG RESISTANCE
BS2 8P	0.25mm <sup>2</sup>								

For Raw Cable Specification see SD-1200209-003

## PART LISTS:

### 3 POLES

MOLEX PN	ENGINEERING No	L [mm]
1200698664	883S32BS1M010	1000
1200698665	883S32BS1M020	2000
1200698666	883S32BS1M030	3000
1200698667	883S32BS1M050	5000
1200698668	883S32BS1M100	10000

### 4 POLES

MOLEX PN	ENGINEERING No	L [mm]
1200699396	884S32BS1M006	600
1200698669	884S32BS1M010	1000
1200698670	884S32BS1M020	2000
1200698671	884S32BS1M030	3000
1200698672	884S32BS1M050	5000
1200698673	884S32BS1M100	10000

### 5 POLES

MOLEX PN	ENGINEERING No	L [mm]
1200698674	885S32BS1M010	1000
1200698675	885S32BS1M020	2000
1200698676	885S32BS1M030	3000
1200698677	885S32BS1M050	5000
1200698678	885S32BS1M100	10000

### 8 POLES

MOLEX PN	ENGINEERING No	L [mm]
1200698679	888S32BS2M010	1000
1200698680	888S32BS2M020	2000
1200698681	888S32BS2M030	3000
1200698682	888S32BS2M050	5000
1200698683	888S32BS2M100	10000

THIS DRAWING CONTAINS INFORMATION THAT IS PROPRIETARY TO MOLEX ELECTRONIC TECHNOLOGIES, LLC AND SHOULD NOT BE USED WITHOUT WRITTEN PERMISSION

EC NO: 110840 DRWN: AKONDRACIUK CHK'D: APPR: MIWASIECZKO	2016/11/25	GENERAL TOLERANCES (UNLESS SPECIFIED) ANGULAR TOL ± ° 4 PLACES ± 3 PLACES ± 2 PLACES ± 1 PLACE ± 0 PLACES ± DRAFT WHERE APPLICABLE MUST REMAIN WITHIN DIMENSIONS	DIMENSION UNITS	SCALE				
	2016/11/30		MM	1:1				
	AKONDRACIUK		DATE	CSE M12 M12 XP AC FE STR WSOR MA RA XM				
	MIWASIECZKO		2016/11/25	PRODUCT CUSTOMER DRAWING				
	MIWASIECZKO		2016/11/30	SERIES		MATERIAL NUMBER	CUSTOMER	
	A3		THIRD ANGLE PROJECTION	120069		SEE PART LIST		
REV	APP	DRAWING SIZE		THIRD ANGLE PROJECTION	DOCUMENT NUMBER	DOC TYPE	DOC PART	SHEET NUMBER
A		A3			1200698674	PSD	00P	2 OF 2