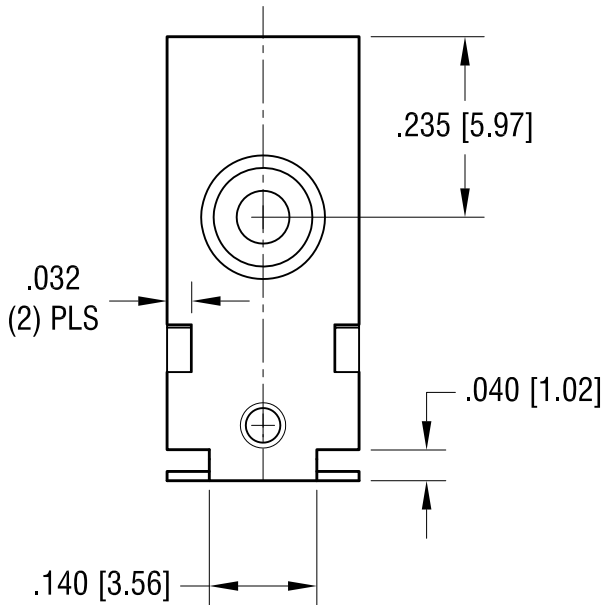
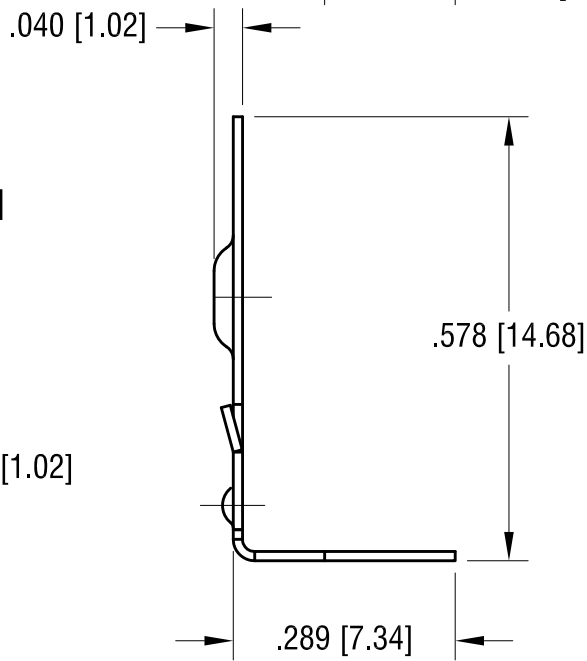
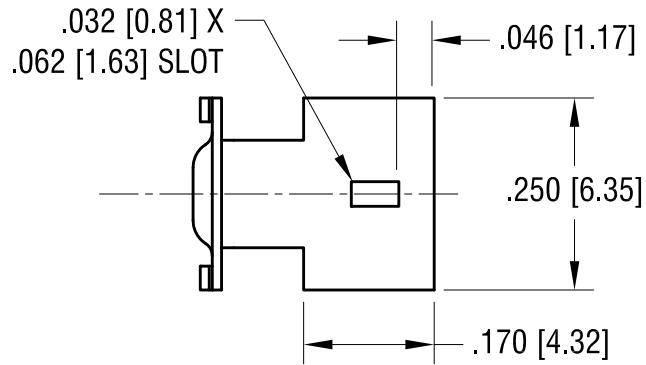


THIS DOCUMENT IS THE PROPERTY OF  
KEYSTONE ELECTRONICS CORP. AND  
SHALL NOT BE REPRODUCED, DISTRIBUTED  
OR USED AS A BASIS FOR MANUFACTURE  
WITHOUT PRIOR WRITTEN PERMISSION  
FROM KEYSTONE ELECTRONICS CORP.



ACTUAL SIZE"



**KEYSTONE ELECTRONICS CORP.**

www.keyelco.com • NEW HYDE PARK, NY 11040 • Tel (516) 328-7500

PART NAME

SM POSITIVE BATTERY CONTACT

MATERIAL

.012 [0.30] TH'K STAINLESS STEEL

FINISH

GOLD PLATE

DRN BY

NT

DATE

6.7.16

APP'D

RH

SCALE

4X

TOLERANCES

INCH [MM]

DECIMAL

± .005 [± 0.13]

ANGULAR

± 1°

UNLESS OTHERWISE SPECIFIED

CODE

C

DWG NO.

1088-1

ADD DIMPLE

1.17.20 CHANGE AS PER ECN 20-004

A

DATE

DESCRIPTION

REV.