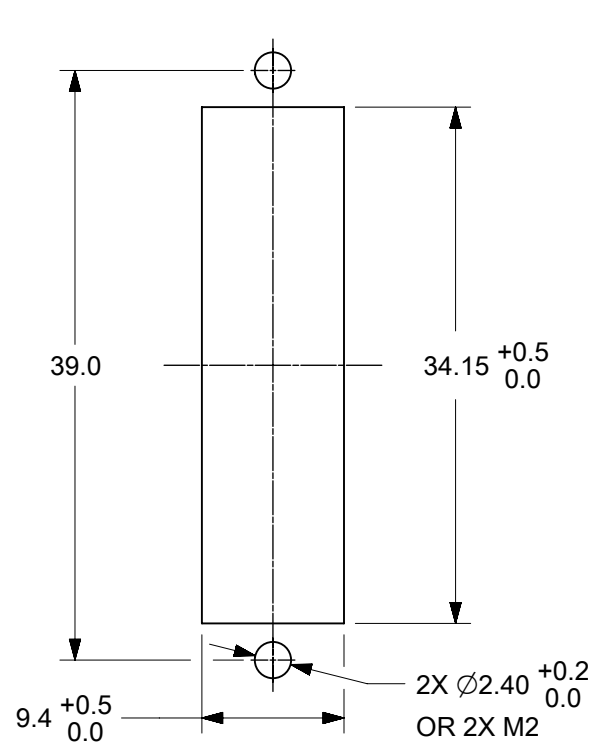
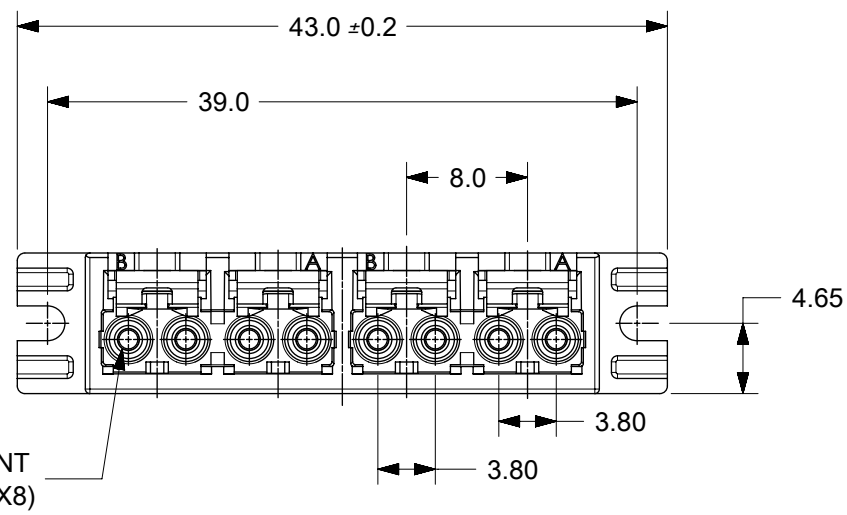


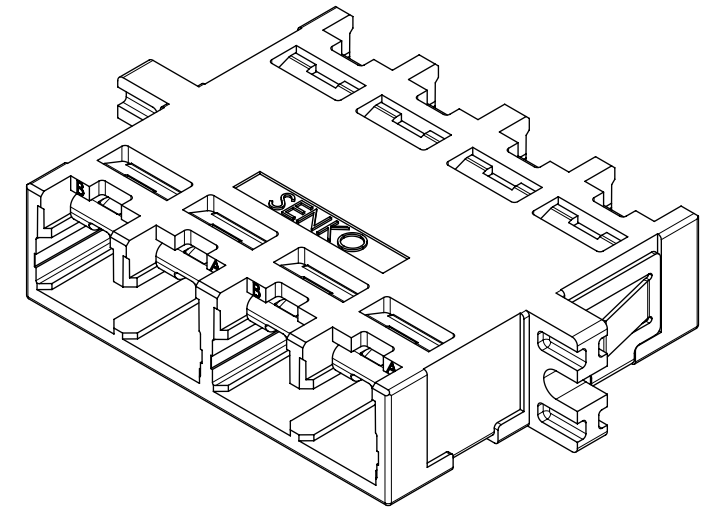
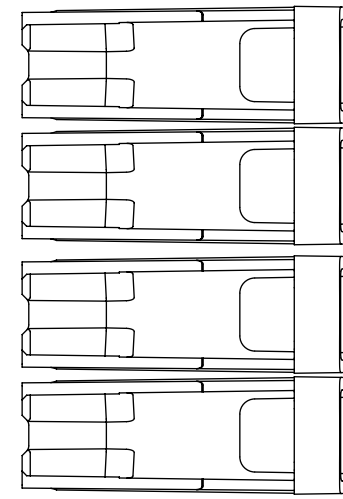
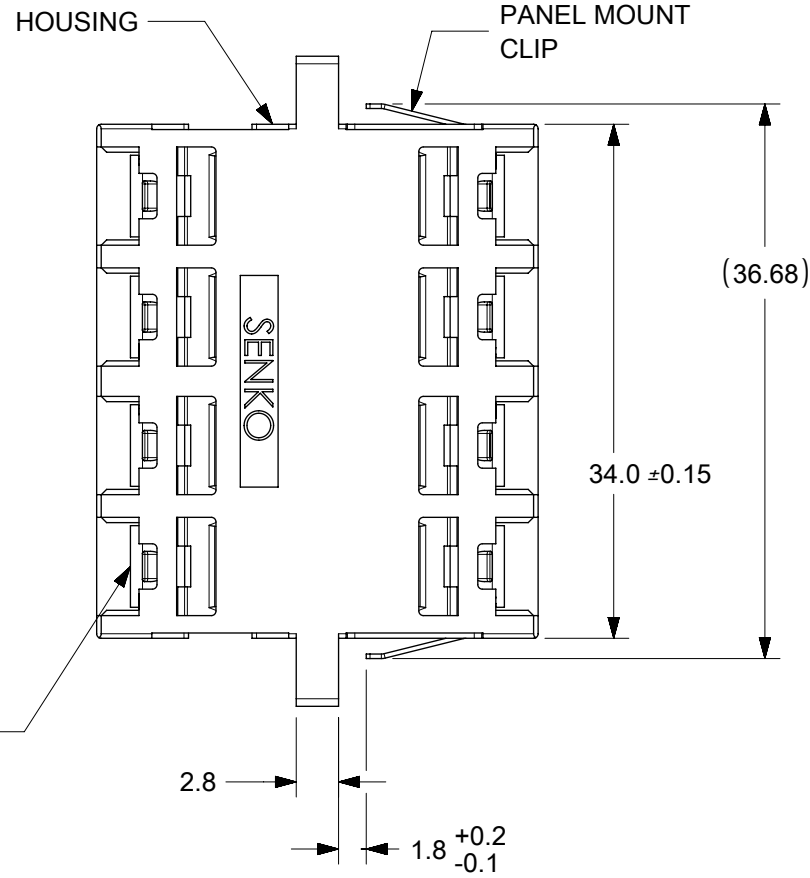
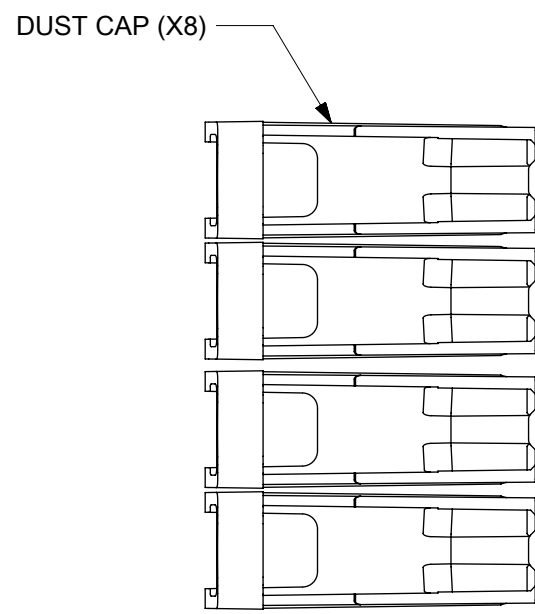
ADAPTER P/N	ADAPTER COLOR
1060291015	BLUE
1060291016	AQUA (OM3)



MOUNTING HOLE DIMENSIONS  
(REFERENCE ONLY)  
PANEL THICKNESS 1.7mm MAX.



ALIGNMENT SLEEVE (X8)



DUST CAPS NOT SHOWN

NOTES:

1. ALL MATERIALS ARE COMPLIANT UL94 V-0.
2. INTERFACE DIMENSIONS COMPLIANT TO TYPE CS FAMILY SPECIFICATION.

THIS DRAWING CONTAINS INFORMATION THAT IS PROPRIETARY TO MOLEX ELECTRONIC TECHNOLOGIES, LLC AND SHOULD NOT BE USED WITHOUT WRITTEN PERMISSION											
SYMBOLS		DIMENSION UNITS		SCALE		CURRENT REV DESC:					
▽ = 0	mm	2:1				EC NO: 630047					
▽ = 0	GENERAL TOLERANCES (UNLESS SPECIFIED)					DRWN: IGUMIN 2020/01/06					
▽ = 0	ANGULAR TOL ± °					CHK'D: TWANG74 2020/01/07					
▽ = 0	4 PLACES ±					APPR: TWANG74 2020/01/07					
▽ = 0	3 PLACES ±					INITIAL REVISION:					
▽ = 0	2 PLACES ±					DRWN: IGUMIN 2020/01/06					
▽ = 0	1 PLACE ±					APPR: TWANG74 2020/01/07					
▽ = 0	0 PLACES ±					DOCUMENT NUMBER					
▽ = 0	DRAFT WHERE APPLICABLE MUST REMAIN WITHIN DIMENSIONS					THIRD ANGLE PROJECTION		DRAWING		SERIES	
		B-SIZE		106029		MATERIAL NUMBER		CUSTOMER		SHEET NUMBER	
		SEE TABLE				1060291015		PSD 000		A	
						1				1 OF 1	