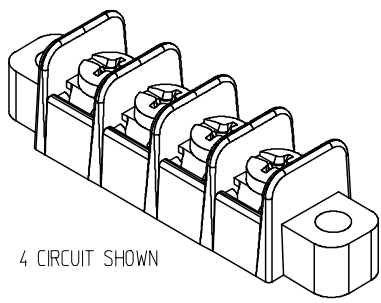
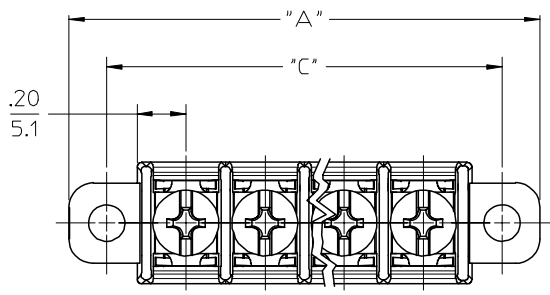


10 9 8 7 6 5 4 3 2 1

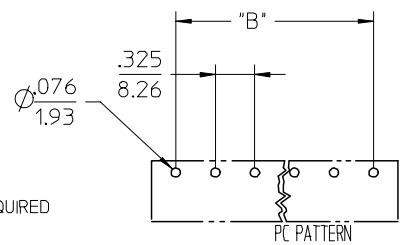
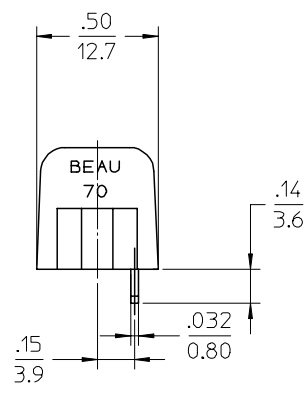
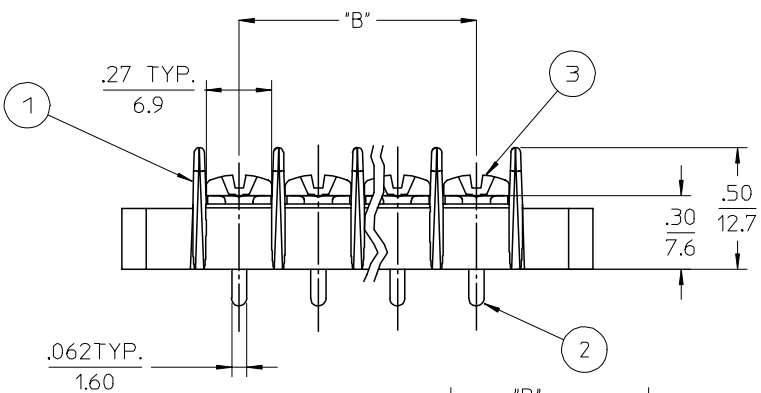
| NUMBER OF CIRCUITS "XX" | DIM "A" | DIM "B" | DIM "C" | MATERIAL NUMBER (STD) | MATERIAL NO. FOR BARRIER |
|-------------------------|---------------|----------------|-----------------|-----------------------|--------------------------|
| 02 | 32.7 [1.29] | 8.26 [.325] | 24.78 [.976] | 387006702 | 387080002 |
| 03 | 40.9 [1.61] | 16.52 [.650] | 33.04 [1.301] | 387006703 | 387080003 |
| 04 | 49.2 [1.94] | 24.78 (.976) | 41.30 [1.626] | 387006704 | 387080004 |
| 05 | 57.4 [2.26] | 33.04 (1.301) | 49.56 [1.951] | 387006705 | 387080005 |
| 07 | 74.0 [2.91] | 49.56 (1.951) | 66.08 [2.602] | 387006707 | 387080007 |
| 10 | 98.7 [3.89] | 74.34 (2.927) | 90.86 [3.577] | 387006710 | 387080010 |
| 12 | 115.3 [4.54] | 90.86 (3.577) | 107.38 [4.228] | 387006712 | 387080012 |
| 13 | 123.5 [4.86] | 99.12 (3.902) | 115.64 [4.553] | 387006713 | 387080013 |
| 15 | 140.0 [5.51] | 115.64 (4.553) | 132.16 [5.203] | 387006715 | 387080015 |
| 20 | 181.3 [7.14] | 156.94 (6.179) | 173.46 [6.829] | 387006720 | 387080020 |
| 30 | 263.9 [10.39] | 239.54 [9.431] | 256.06 [10.081] | 387006730 | 387080030 |

F
E
D
C
B
A

F
E
D
C
B
A



.325 TYP.
8.26



- NOTES:
1. MATERIAL: SEE TABLE
 2. FINISHES: SEE TABLE
 3. PRODUCT SPECIFICATION: NOT REQUIRED
 4. PACKAGING: NOT REQUIRED
 5. MATES WITH: NONE
 6. "XX" REFERS TO THE NUMBER OF CIRCUITS

| 3 | "XX" | SCREW #6-32 PAN PHS/NI/ BRASS LUBE | BRASS | NICKEL |
|------|------|------------------------------------|---------------|--------|
| 2 | "XX" | TERMINAL | BRASS | TIN |
| 1 | 1 | BARRIER | THERMOPLASTIC | BLACK |
| ITEM | QTY. | DESCRIPTION | MATERIAL | FINISH |

| REV | DESCRIPTION |
|-----|--------------------------------|
| A | APPR:RDEROSS 2005/12/07 |
| | CHKD: DRWN:ASAYDEH 2005/12/06 |
| | EC NO: ETC2006-0088 2005/12/06 |

| QUALITY SYMBOLS | |
|-----------------|---|
| | = |
| | = |
| | = |
| | = |

| GENERAL TOLERANCES (UNLESS SPECIFIED) | |
|---------------------------------------|---------------|
| 4 PLACES | ± --- ±.0002 |
| 3 PLACES | ± 0.005 ±.005 |
| 2 PLACES | ± 0.13 ±.01 |
| 1 PLACE | ± 0.25 ± --- |
| ANGULAR ±1/2° | |

| DIMENSION STYLE | | SCALE | DESIGN UNITS | THIRD ANGLE PROJECTION |
|-----------------|---|---------------------|--------------|------------------------|
| IN/MM | | 2:1 | INCH | |
| DRAWN BY | DATE | TITLE | | |
| ASAYDEH | 10/21/05 | SINGLE ROW BARRIER | | |
| CHECKED BY | DATE | TERMINAL STRIP ASSY | | |
| RDEROSS | | PC TAIL | | |
| APPROVED BY | DATE | MOLEX INCORPORATED | | |
| MATERIAL NO. | DOCUMENT NO. | SHEET NO. | | |
| SEE CHART | SD-38700-004 | 1 OF 1 | | |
| SIZE B | THIS DRAWING CONTAINS INFORMATION THAT IS PROPRIETARY TO MOLEX INCORPORATED AND SHOULD NOT BE USED WITHOUT WRITTEN PERMISSION | | | |

9 8 7 6 5 4 3 2 1