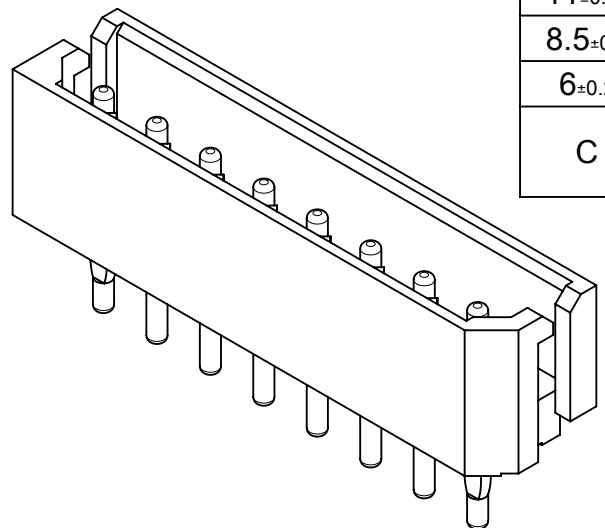


- 注記 :
NOTES:
- ① 材質 : TABLE 1参照
MATERIAL : SEE TABLE 1
 - ② 両端のPINのみコインを適用。
APPLY COIN : PIN, BOTH ENDS
 - ③ 梱包仕様書、製品仕様書、嵌合相手はSHEET 2をご参照ください。
PLEASE REFER TO SHEET 2 FOR PACKAGING SPECIFICATION
PRODUCT SPECIFICATION AND MATE WITH.
 - ④ 本製品はコインあり品である。
コインなし品は52670001-SD/PSD/000をご参照ください。
THIS PRODUCT IS WITH COIN.
PLEASE REFER TO 52670001-SD/PSD/000 FOR WITHOUT COIN PRODUCT.
 - ⑤ 発注番号 : ORDER NO.
999909** (**:86~99)

| | | | | | | | |
|-----------|------|-----------|-------------------|----------------------|----------|---------------------|--------------------|
| 38.5±0.3 | 35 | 39.9±0.3 | ポリ袋 POLY BAG | 5267NAX | 526715AX | 99990999 | 15 |
| 36±0.3 | 32.5 | 37.4±0.3 | | | 526714AX | 99990998 | 14 |
| 33.5±0.3 | 30 | 34.9±0.3 | | | 526713AX | 99990997 | 13 |
| 31±0.3 | 27.5 | 32.4±0.3 | | | 526712AX | 99990996 | 12 |
| 28.5±0.25 | 25 | 29.9±0.25 | | | 526711AX | 99990995 | 11 |
| 26±0.25 | 22.5 | 27.4±0.25 | | | 526710AX | 99990994 | 10 |
| 23.5±0.25 | 20 | 24.9±0.25 | | | 526709AX | 99990993 | 9 |
| 21±0.25 | 17.5 | 22.4±0.25 | | | 526708AX | 99990992 | 8 |
| 18.5±0.25 | 15 | 19.9±0.25 | | | 526707AX | 99990991 | 7 |
| 16±0.25 | 12.5 | 17.4±0.25 | | | 526706AX | 99990990 | 6 |
| 13.5±0.25 | 10 | 14.9±0.25 | 526705AX | 99990989 | 5 | | |
| 11±0.25 | 7.5 | 12.4±0.25 | 526704AX | 99990988 | 4 | | |
| 8.5±0.2 | 5 | 9.9±0.2 | 526703AX | 99990987 | 3 | | |
| 6±0.2 | 2.5 | 7.4±0.2 | 526702AX | 99990986 | 2 | | |
| C | B | A | 梱包形態 PACKAGING | シリーズ番号 SERIES NO. | ENG. NO. | ⑤ 発注番号 ORDER NO. | 極数 CIRCUIT SIZE |

| 番号 NO. | 部品 PART | 材質 MATERIAL | |
|-----------|------------------|---|---|
| ① | ハウジング HOUSING | ポリアミド(PA), UL94V-0, 色: ナチュラル(白) POLYAMIDE(PA), UL94V-0, COLOR: NATURAL (WHITE) | |
| ② | ピン PIN | 母材 BASE METAL | 黄銅(φ0.7) BRASS (φ0.7) |
| | | めっき PLATING | 錫めっき : 3 MICROMETER MIN. TIN |
| | | 下地めっき UNDERPLATING | 銅めっき : 1 MICROMETER MIN. COPPER (UNDERPLATING) |



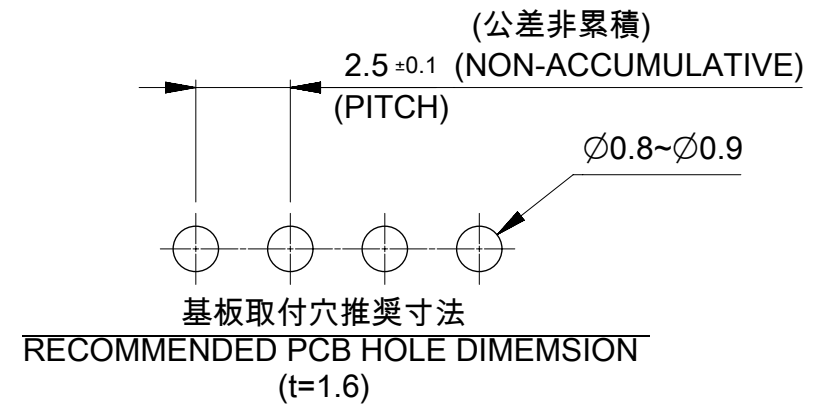
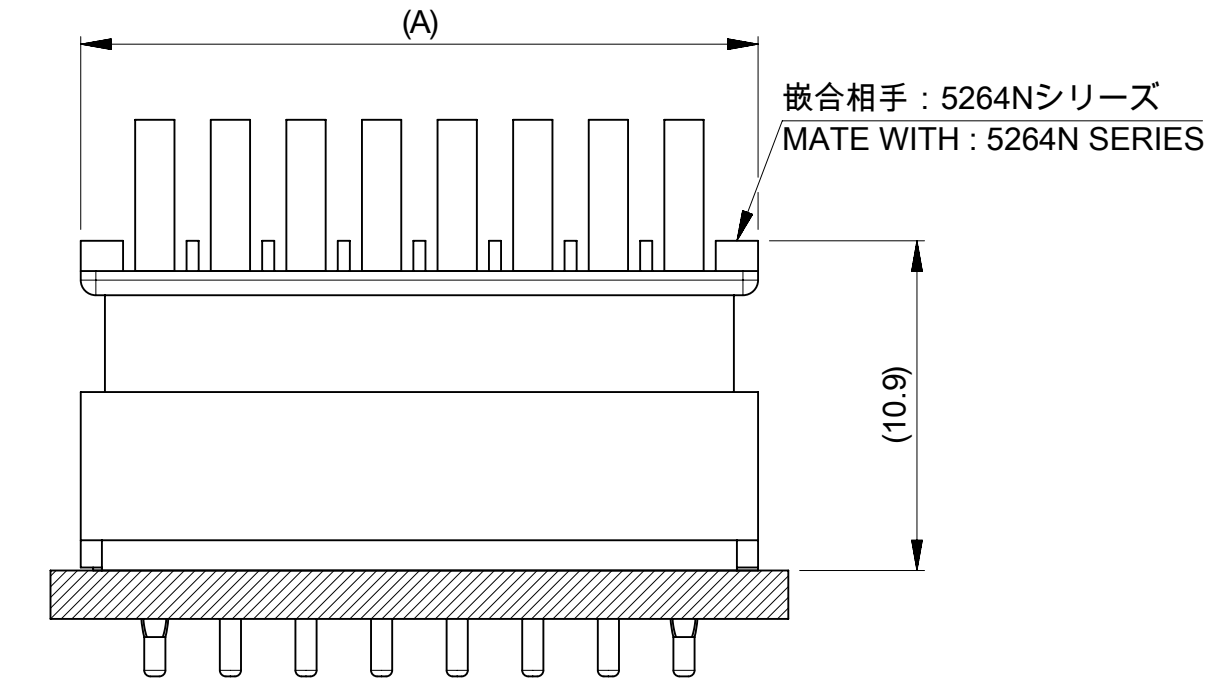
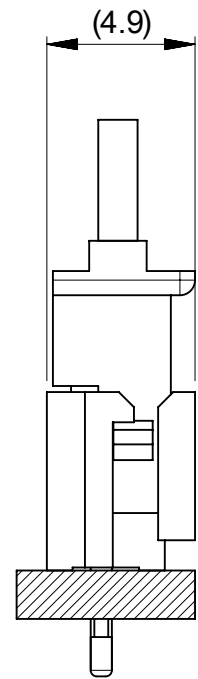
THIS DRAWING CONTAINS INFORMATION THAT IS PROPRIETARY TO MOLEX ELECTRONIC TECHNOLOGIES, LLC AND SHOULD NOT BE USED WITHOUT WRITTEN PERMISSION

| | | | |
|--|------------------------|--------------------------------|---------------------|
| DIMENSION UNITS mm | SCALE NTS | CURRENT REV DESC: | |
| GENERAL TOLERANCES (UNLESS SPECIFIED) | | EC NO: 727270 | |
| ANGULAR TOL ± 3.0° | | DRWN: SOKUMURA01 | 2022/11/30 |
| 4 PLACES ± | | CHK'D: SAKIYAMA | 2023/03/09 |
| 3 PLACES ± | | APPR: AIDA | 2023/03/09 |
| 2 PLACES ± 0.2 | | INITIAL REVISION: | |
| 1 PLACE ± 0.2 | | DRWN: SUDAYGUNAGI | 2019/06/20 |
| 0 PLACES ± | | APPR: KOMURAKAMI | 2020/05/13 |
| DRAFT WHERE APPLICABLE MUST REMAIN WITHIN DIMENSIONS | THIRD ANGLE PROJECTION | DRAWING A3-SIZE | SERIES 5267 |
| | | MATERIAL NUMBER SEE CHART | CUSTOMER GENERAL |
| | | DOCUMENT NUMBER 52670002-SD | DOC TYPE PSD |
| | | DOC PART 000 | REVISION B |
| | | SHEET NUMBER 1 OF 2 | |

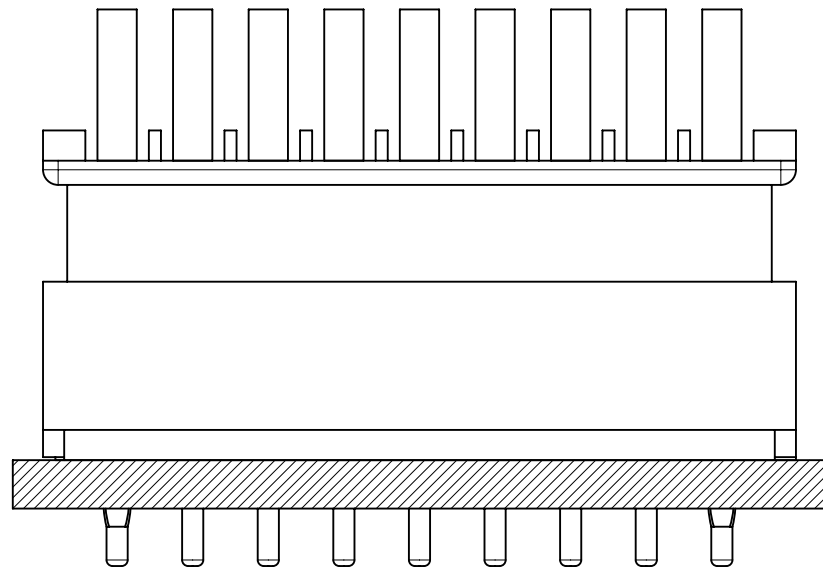
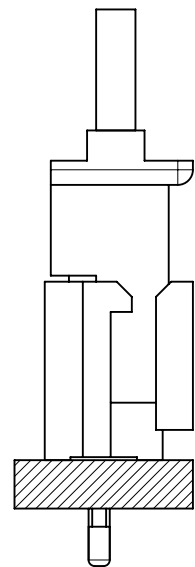
△ 適用製品及び各種仕様書
 APPLICABLE PRODUCTS AND VARIOUS SPECIFICATIONS

| | | |
|----------------------------------|-----------------------|--|
| 梱包仕様書 PACKAGING SPECIFICATION | ORDER NO. 999909** | SPECIFICATION NO. SPK-5267-001 PS 001 |
| 嵌合相手 MATE WITH | RECEPTACLE HOUSING | |
| シリーズ番号 SERIES NO. | 5264N | |
| 製品仕様書 PRODUCT SPECIFICATION | PS-5264-001 PS 001 | |

2-8極
2-8 CIRCUIT



9-15極
9-15 CIRCUIT



嵌合図
MATING CONNECTORS

| | | | | | | | | | | |
|---|------------------------|-------------------|------------|--|----------|--------------|--|----------|----------|----------|
| THIS DRAWING CONTAINS INFORMATION THAT IS PROPRIETARY TO MOLEX ELECTRONIC TECHNOLOGIES, LLC AND SHOULD NOT BE USED WITHOUT WRITTEN PERMISSION | | | | | | | | | | |
| DIMENSION UNITS mm | SCALE NTS | CURRENT REV DESC: | | | | | | | | |
| GENERAL TOLERANCES (UNLESS SPECIFIED) | | EC NO: 727270 | | | | | | | | |
| ANGULAR TOL ± 3.0 ° | 4 PLACES ± | DRWN: SOKUMURA01 | 2022/11/30 | MINI-SPOX 2.5 W/B VERTICAL PLUG ASSEMBLY WITH COIN COPPER UNDERPLATING | | | | | | |
| 3 PLACES ± | 3 PLACES ± | CHK'D: SAKIYAMA | 2023/03/09 | PRODUCT CUSTOMER DRAWING | | | | | | |
| 2 PLACES ± 0.2 | 2 PLACES ± 0.2 | APPR: AIDA | 2023/03/09 | DOCUMENT NUMBER | | | | | | |
| 1 PLACE ± 0.2 | 1 PLACE ± 0.2 | INITIAL REVISION: | | 2019/06/20 | | 52670002-SD | | DOC TYPE | DOC PART | REVISION |
| 0 PLACES ± | 0 PLACES ± | DRWN: SUDAYGUNAGI | 2020/05/13 | 2020/05/13 | | PSD | | 000 | B | |
| DRAFT WHERE APPLICABLE MUST REMAIN WITHIN DIMENSIONS | THIRD ANGLE PROJECTION | DRAWING | SERIES | MATERIAL NUMBER | CUSTOMER | SHEET NUMBER | | | | |
| | | A3-SIZE | 5267 | SEE SHEET 1 | GENERAL | 2 OF 2 | | | | |