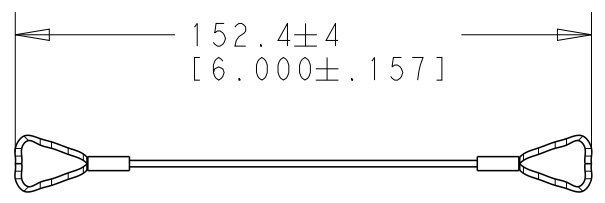
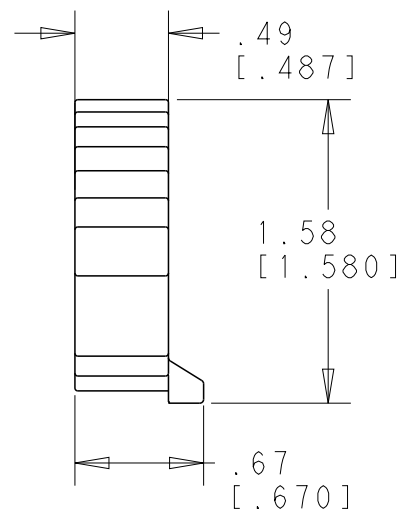
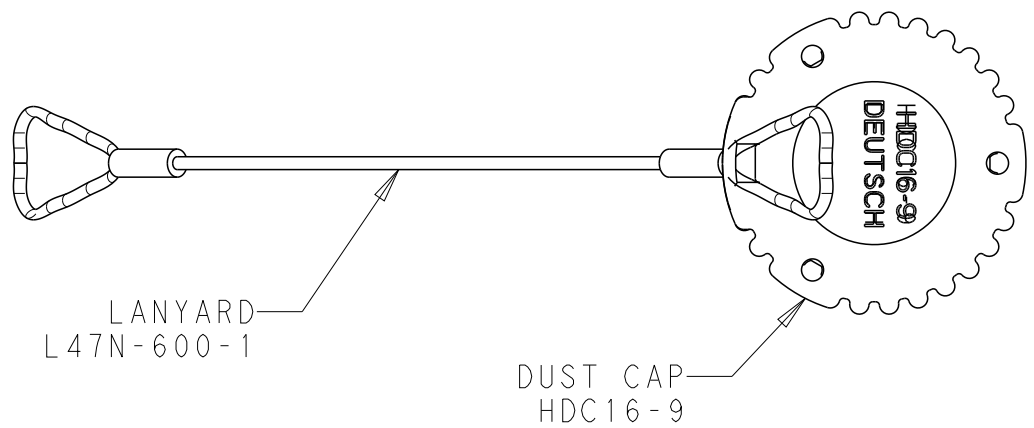


REVISIONS					
P	LTR	DESCRIPTION	DATE	DWN	APVD
	A	NEW RELEASE PER ECO-14-013325	09-01-14	DM	DM
	A1	REVISED PER ECR-20-000917	06JAN2020	AP	IG



4. PART NO. HDC16-9-L47N
3. TEMPERATURE RATING: -55°C TO +125°C [-67°F TO +257°F]
2. MATERIAL: LANYARD-GALVANIZED STEEL WITH NYLON COATING, DUST CAP-PA66
1. THIS PART IS USED ON  
 HD10-9-XXX RECEPTACLES  
 HD14-9-XXX RECEPTACLES  
 WHERE XXX IS PIN ARRANGEMENTS.  
 SEE INDIVIDUAL CUSTOMER DRAWINGS.

THIS DRAWING IS UNPUBLISHED. BY TE CONNECTIVITY © COPYRIGHT 2019 ALL RIGHTS RESERVED. RELEASED FOR PUBLICATION

DIMENSIONS: MM [INCH]		DWN D. MEYER	01SEP2014	MATERIAL	FINISH GRAY	
TOLERANCES UNLESS OTHERWISE SPECIFIED: 0 PLC ± 1 PLC ± 2 PLC ±0.63 [.025] 3 PLC ± 4 PLC ± ANGLES ±5°		CHK I. GRANTCHAROVA	01SEP2014	TE Connectivity		
		APVD D. MEYER	01SEP2014			
		PRODUCT SPEC	NAME DUST CAP WITH LANYARD, SIZE 9 HD10 SERIES			
		APPLICATION SPEC	SIZE A 4		CAGE CODE 4AFU8	DRAWING NO C-HDC16-9-L47N
		WEIGHT 11.38 g			RESTRICTED TO	-
		CUSTOMER DRAWING		SCALE 1:1	SHEET 1	OF 1
						REV A1