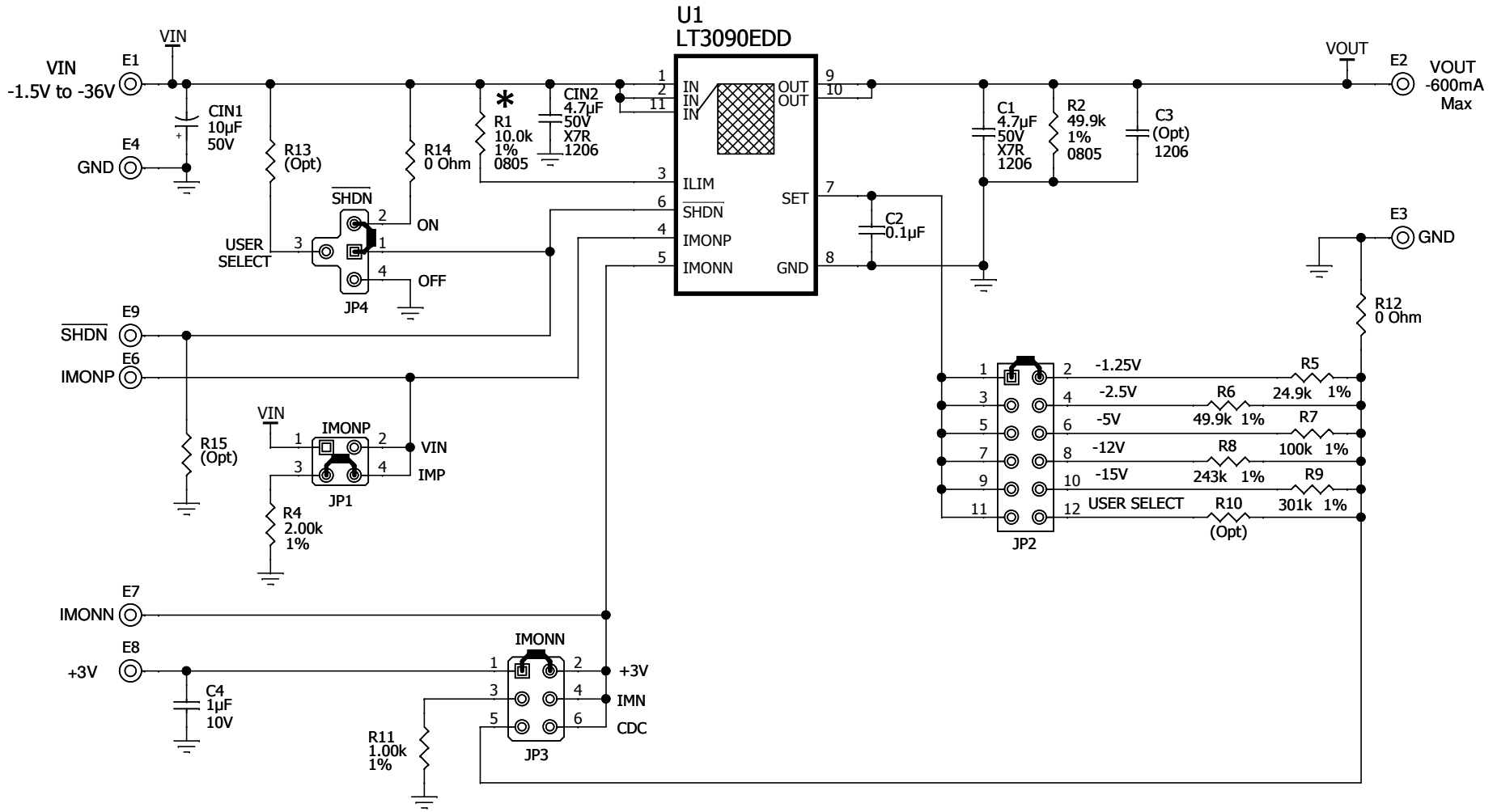


REVISION HISTORY

ECO	REV	DESCRIPTION	APPROVED	DATE
-	2	PRODUCTION	EDWIN LI	Nov 13, 2013



NOTE: UNLESS OTHERWISE SPECIFIED.

1. ALL RESISTORS 0603.
2. ALL CAPACITORS 0603.

* R1 = 10k is chosen to activate internal current limit. If lower current limit is required, modify R1 value.

CUSTOMER NOTICE

LINEAR TECHNOLOGY HAS MADE A BEST EFFORT TO DESIGN A CIRCUIT THAT MEETS CUSTOMER-SUPPLIED SPECIFICATIONS; HOWEVER, IT REMAINS THE CUSTOMER'S RESPONSIBILITY TO VERIFY PROPER AND RELIABLE OPERATION IN THE ACTUAL APPLICATION. COMPONENT SUBSTITUTION AND PRINTED CIRCUIT BOARD LAYOUT MAY SIGNIFICANTLY AFFECT CIRCUIT PERFORMANCE OR RELIABILITY. CONTACT LINEAR TECHNOLOGY APPLICATIONS ENGINEERING FOR ASSISTANCE.

C:\PADS PROJECTS\1948A(LT3090EDD)\SCH\1948A_REV2.DSN

THIS CIRCUIT IS PROPRIETARY TO LINEAR TECHNOLOGY AND SUPPLIED FOR USE WITH LINEAR TECHNOLOGY PARTS.

APPROVALS

PCB DES.	RB
APP ENG.	EDWIN LI

SCALE = NONE



1630 McCarthy Blvd.
Milpitas, CA 95035 www.linear.com
Phone: (408)432-1900
Fax: (408)434-0507

LTC CONFIDENTIAL - FOR CUSTOMER USE ONLY

TITLE: SCHEMATIC			
-36V, 600mA Negative Linear Regulator with Programmable Current Limit			
SIZE	IC NO.	REV.	
N/A	LT3090EDD	2	
Democircuit 1948A			
MODIFY DATE: Nov 13, 2013			SHEET 1 OF 1