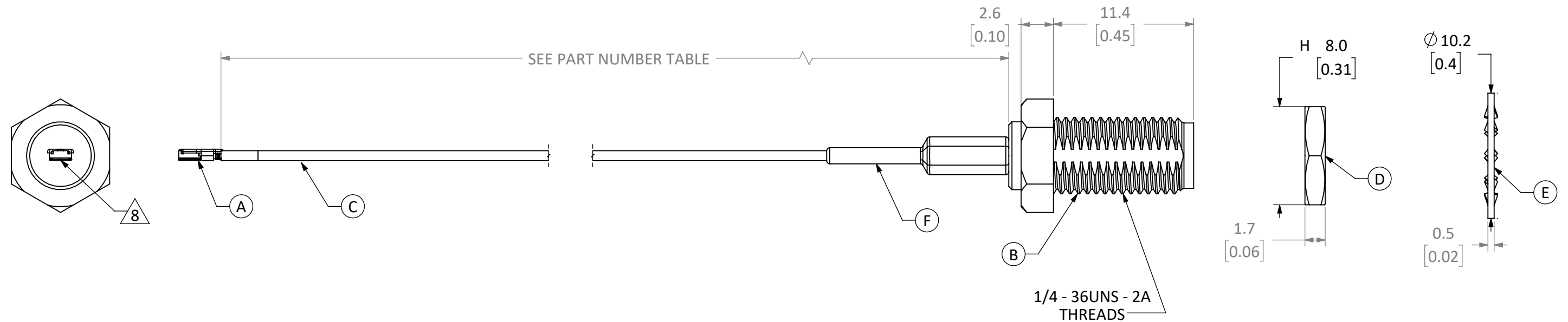


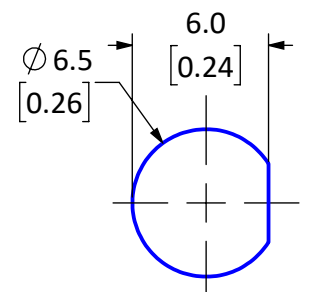
ITEM	DESCRIPTION	MATERIAL	FINISH
A	MHF PLUG TYPE IV	BRASS	GOLD
B	CONNECT SMA FEM. BULKHEAD	BRASS	GOLD
C	CABLE, COAX, 0.81mm	COAXIAL	BLACK
D	NUT, 1/4-36UNS THIN, GLD	BRASS	GOLD
E	WASH, LOCK, .05THK	BRASS	GOLD
F	HEAT SHRINK TUBING	POLYOLEFIN	BLACK

REVISIONS			
REV	DESCRIPTION	DATE	APPV
A	INITIAL RELEASE OF LINX INTERNAL DRAWING	13-NOV-19	CLL
B	UPDATED VISUAL AND NOTES TO CURRENT DATA. ADDED 150mm LENGTH TO TABULATION.	JHAGER 3/19/2021	DV 3/30/21
C	UPDATED BULKHEAD DESIGN. FLANGE [C,3] 2.6mm WAS 7.0mm.	JHAGER 4/2/2021	



NOTES: (UNLESS OTHERWISE SPECIFIED)

- ALL DIMENSIONS ARE IN MILLIMETERS [INCHES].
- DIMENSIONS APPLY AFTER FINISHING.
- MANUFACTURE TO BE COMPLIANT WITH EU RoHS DIRECTIVE, USE MATERIALS THAT DO NOT CONTAIN REACH SUBSTANCES OF VERY HIGH CONCERN >1000ppm, AND USE DRC CONFLICT-FREE SOURCED MATERIALS.
- MINIMUM FREQUENCY RANGE: DC TO 6GHz.
- CABLE ASSEMBLY SPECIFICATIONS;
 - CHARACTERISTIC IMPEDANCE: $50\Omega \pm 3\Omega$
- CONNECTOR TO BE APPLIED IN ACCORDANCE WITH CONNECTOR SUPPLIER RECOMMENDED PROCEDURE. INTERFACE IAW MIL-STD-348B
- TORQUE SPECIFICATIONS:
 - BULKHEAD MOUNTING NUT TORQUE: 7 TO 10 in-lbs.
 - RECOMMENDED MATING TORQUE: 7 TO 10 in-lbs.
- CONNECTORS TO BE ORIENTED WITH MHF4 CONNECTOR MATING FACE 90° CLOCKWISE FROM BULKHEAD CONNECTOR THREAD FLAT FACE, AS SHOWN. CABLE SUPPLIED WITH WASHER AND NUT INSTALLED.
- MAX PANEL THICKNESS 6.5mm



RECOMMENDED MOUNTING HOLE

PART NUMBER	CABLE LENGTH	INSERTION LOSS
CSJ-SGFB-100-MHF4	100mm ± 1.5mm	0.37vf IN GHz TYP.
CSJ-SGFB-150-MHF4	150mm ± 2.0mm	0.53vf IN GHz TYP.
CSJ-SGFB-200-MHF4	200mm ± 3.0mm	0.68vf IN GHz TYP.
CSJ-SGFB-300-MHF4	300mm ± 3.0mm	1.00vf IN GHz TYP.

WARNING: THIS DRAWING CONTAINS PROPRIETARY INFORMATION THAT IS THE SOLE PROPERTY OF LINX TECHNOLOGIES, AND SHALL BE TREATED AS SUCH. NO DISCLOSURE OR REPRODUCTION OF THIS DOCUMENT IS PERMITTED, IN WHOLE OR IN PART, WITHOUT THE EXPRESS WRITTEN PERMISSION OF LINX TECHNOLOGIES OR ITS DESIGNATED AGENTS.

MATERIAL:	TOLERANCES: 0.50 [0.02]-5.00 [0.20] = +0.20 [0.008] 5.00 [0.20]-30.00 [1.20] = +0.40 [0.016] 30.0 [1.20]-120.0 [4.75] = +0.60 [0.24] 120.0 [4.75]-315.0 [12.40] = +1.0 [0.040]	PROJECTION: ANGLS: ±1°
FINISH:	DRAWN: B.MURPHY DT: 5-NOV-19	ENGR: S.HOGAN DT: 13-NOV-19

Linx 159 ORT LANE MERLIN, OR 97532	
TITLE: CBL ASSEMBLY, MHF4 TO FEM. BLKHD SMA, 0.81mm CBL	
SIZE: B	DWG. NO.: CSJ-SGFB-ccc-MHF4
SCALE: 3:1	DO NOT SCALE DRAWING
SHEET 1 OF 1	LDCDFB_C