

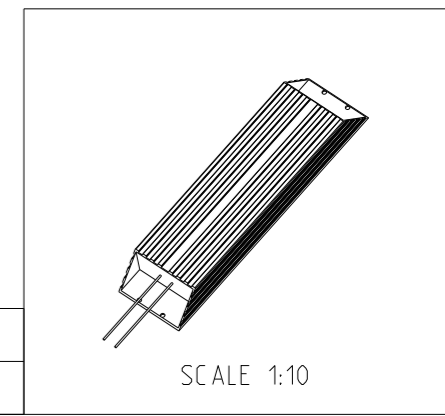
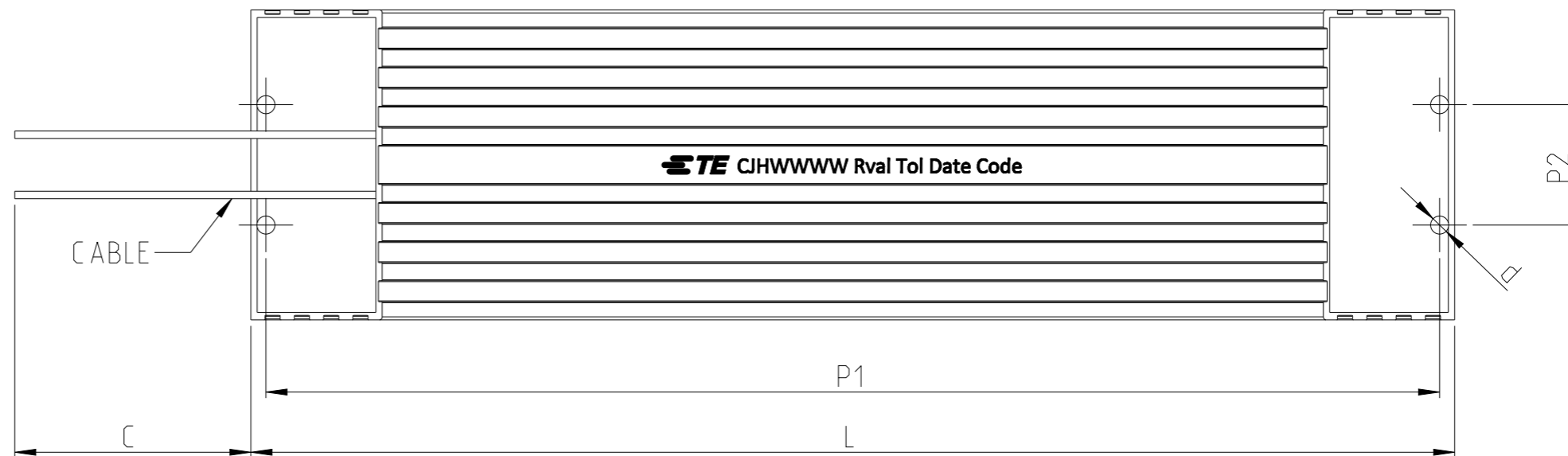
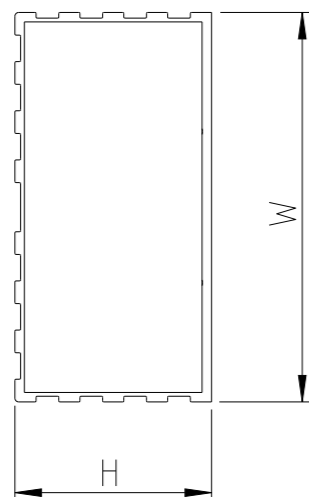
NOTE:

- 1 MOUNTING: 4 x HOLES Ø6mm
- 2 TERMINATION CABLES: UL APPROVED FEP CABLES FOR THE TERMINATIONS, BASED ON THE RESISTOR CURRENT RATING (SEE CHART BELOW) WITH E5 RING TERMINALS

CURRENT RATING	CABLE SIZE USED
≤15A	16 AWG
>15A & ≤25A	14 AWG
>25A & ≤35A	12 AWG

- 3 FOR FURTHER INFORMATION SEE DATA SHEET FOR CJH SERIES OF ALUMINIUM HOUSED RESISTOR

P	LTR	DESCRIPTION	DATE	DWN	APVD
	A	INITIAL DRAWING RELEASE	26MAY2022	KS	AP



PART NUMBER	L ±1	W ±1	H ±1	C ±1	P1 ±0.5	P2 ±0.5
CJH2000	400	103	52	290	390	40

THIS DRAWING IS A CONTROLLED DOCUMENT.		DWN KARTHIK S 26MAY2022		NAME ALUMINIUM ENCLOSED RESISTOR CJH2000 SERIES			
		CHK ALLAN P 26MAY2022					
		APVD ALLAN P 26MAY2022					
DIMENSIONS: mm	TOLERANCES UNLESS OTHERWISE SPECIFIED:	PRODUCT SPEC	APPLICATION SPEC				
	0 PLC ±- 1 PLC ±0.5 2 PLC ±0.13 3 PLC ±0.013 4 PLC ±0.0001 ANGLES ±-	-	-				
MATERIAL	FINISH	WEIGHT	SIZE A3	CAGE CODE 00779	DRAWING NO C=2176516	RESTRICTED TO	
-	-	-	CUSTOMER DRAWING		SCALE 1:2	SHEET 1 OF 2	REV A

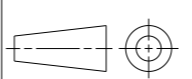
REVISIONS

P	LTR	DESCRIPTION	DATE	DWN	APVD
-		SEE SHEET 1	-	-	-

SCHEDULE

TCPN	PRODUCT NUMBER	MATERIAL DESCRIPTION	PART STATUS
2176516-1	C JH2000J10RJ	C JH 2000W 10R 5% LEAD	PRODUCTION
2176516-2	C JH2000J12RJ	C JH 2000W 12R 5% LEAD	PRODUCTION
2176516-3	C JH2000J15RJ	C JH 2000W 15R 5% LEAD	PRODUCTION
2176516-4	C JH2000J18RJ	C JH 2000W 18R 5% LEAD	PRODUCTION
2176516-5	C JH2000J22RJ	C JH 2000W 22R 5% LEAD	PRODUCTION
2176516-6	C JH2000J27RJ	C JH 2000W 27R 5% LEAD	PRODUCTION
2176516-7	C JH2000J33RJ	C JH 2000W 33R 5% LEAD	PRODUCTION
2176516-8	C JH2000J39RJ	C JH 2000W 39R 5% LEAD	PRODUCTION
2176516-9	C JH2000J47RJ	C JH 2000W 47R 5% LEAD	PRODUCTION
1-2176516-0	C JH2000J56RJ	C JH 2000W 56R 5% LEAD	PRODUCTION
1-2176516-1	C JH2000J68RJ	C JH 2000W 68R 5% LEAD	PRODUCTION
1-2176516-2	C JH2000J82RJ	C JH 2000W 82R 5% LEAD	PRODUCTION
1-2176516-3	C JH2000J100RJ	C JH 2000W 100R 5% LEAD	PRODUCTION
1-2176516-4	C JH2000J120RJ	C JH 2000W 120R 5% LEAD	PRODUCTION
1-2176516-5	C JH2000J150RJ	C JH 2000W 150R 5% LEAD	PRODUCTION
1-2176516-6	C JH2000J180RJ	C JH 2000W 180R 5% LEAD	PRODUCTION
1-2176516-7	C JH2000J220RJ	C JH 2000W 220R 5% LEAD	PRODUCTION
1-2176516-8	C JH2000J270RJ	C JH 2000W 270R 5% LEAD	PRODUCTION
1-2176516-9	C JH2000J330RJ	C JH 2000W 330R 5% LEAD	PRODUCTION
2-2176516-0	C JH2000J390RJ	C JH 2000W 390R 5% LEAD	PRODUCTION
2-2176516-1	C JH2000J470RJ	C JH 2000W 470R 5% LEAD	PRODUCTION
2-2176516-2	C JH2000J560RJ	C JH 2000W 560R 5% LEAD	PRODUCTION
2-2176516-3	C JH2000J680RJ	C JH 2000W 680R 5% LEAD	PRODUCTION
2-2176516-4	C JH2000J820RJ	C JH 2000W 820R 5% LEAD	PRODUCTION
2-2176516-5	C JH2000J1K0J	C JH 2000W 1K0 5% LEAD	PRODUCTION

THIS DRAWING IS A CONTROLLED DOCUMENT.

DIMENSIONS: mm	
	
MATERIAL -	

TOLERANCES UNLESS OTHERWISE SPECIFIED:	
0 PLC	±
1 PLC	±0.5
2 PLC	±0.13
3 PLC	±0.013
4 PLC	±0.0001
ANGLES	±
FINISH -	

DWN	KARTHIK S	26MAY2022
CHK	ALLAN P	26MAY2022
APVD	ALLAN P	26MAY2022
PRODUCT SPEC	-	-
APPLICATION SPEC	-	-
WEIGHT	-	-
CUSTOMER DRAWING		

TE TE Connectivity

NAME
ALUMINIUM ENCLOSED RESISTOR
C JH2000 SERIES

SIZE	CAGE CODE	DRAWING NO	RESTRICTED TO
A3	00779	©=2176516	-

SCALE 1:1 SHEET 2 OF 2 REV A