



PQ3230 Resonant Transformer

APQ3230-4704



- PQ3230 Core Package
- Through Hole Design
- Extended Operating Temperature Range: -40°C to +85°C

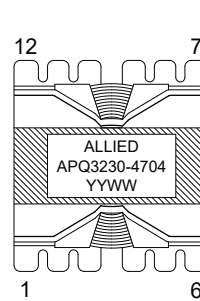
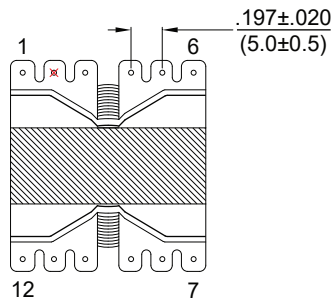
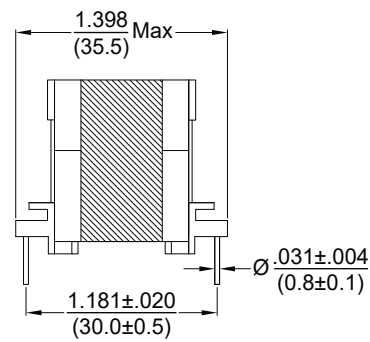
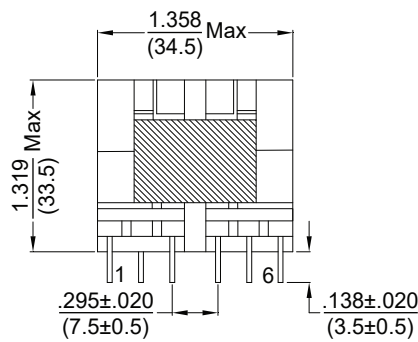
Electrical Specifications @25°C

Inductance @100KHz, 0.1V	DC Resistance (mΩ Max)		Turns Ratio	HiPot (Vac) 50Hz/60Hz, 5mA / 2Sec			Insulation Resistance (VDC) 100MΩ Min		
	(3 - 4)	(9 - 10)		(3-4) : (9-10)	Pri - Sec	Pri - Core	Sec - Core	Pri - Sec	Pri - Core
1.5mH ±10%	182	35	4 : 1	1800	1800	1800	500	500	500

All specifications subject to change without notice

MECHANICAL

Dimensions:  $\frac{\text{inch}}{\text{mm}}$

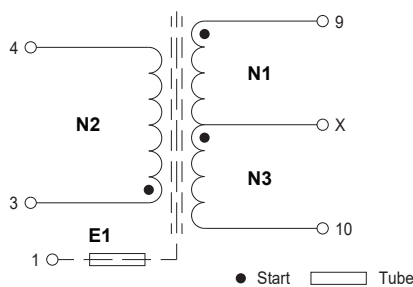


BOTTOM VIEW

TOP VIEW

Note: Remove pin 2

SCHEMATIC



WINDING CONSTRUCTION

